

10 9 8 7 6 5 4 3 2 1

F

E

D

C

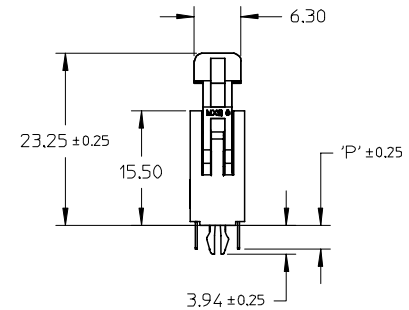
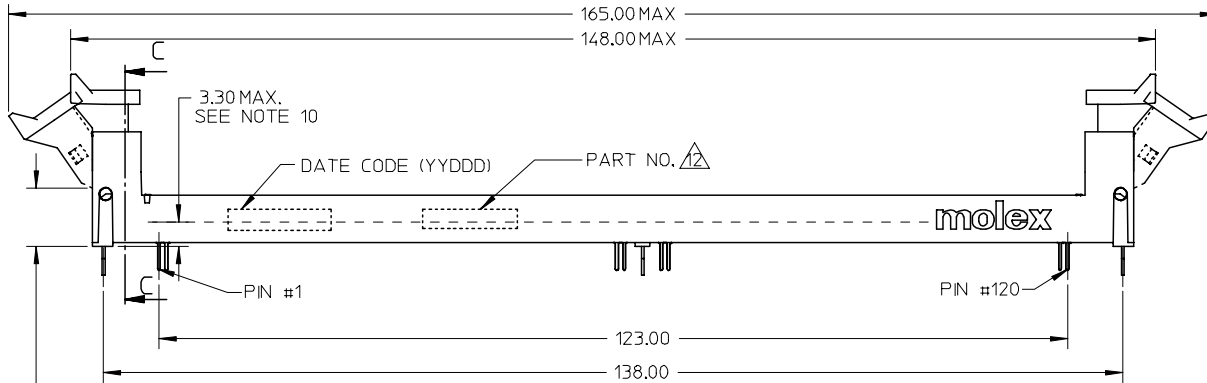
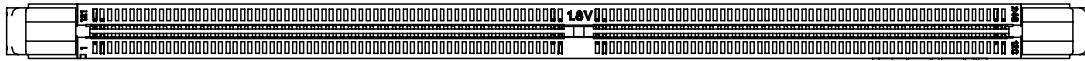
B

A

NOTES:

1. MATERIALS
 HOUSING - HIGH TEMP. NYLON GLASS FILLED, UL 94V-0
 COLOR: BLACK
 EJECTOR - HIGH TEMP. NYLON GLASS FILLED, UL 94V-0
 COLOR: SEE TABLE
 TERMINAL - COPPER ALLOY
2. PLATING - SEE TABLE IN SHEET 5 & 6.
3. CARD SLOT ACCEPTS 1.27±0.10 MM MODULE THICKNESS.
 (MEASURED OVER P.C. PADS)
4. RECOMMENDED MODULE LAYOUT SHALL BE AS PER JEDEC MO-237.
5. REFER TO PRODUCT SPEC. PS-87705-002 FOR PERFORMANCE SPECIFICATIONS.
6. PRODUCT SHALL BE PACKED IN TRAY.
7. PRODUCT SHALL HAVE DATE CODE STAMPED ON SIDE OF HOUSING.
8. KEEP OUT AREA IS THE AREA WHERE THE CONNECTOR IS MOUNTED ONTO THE PCB WHICH DOES NOT INCLUDE THE LATCH.
9. REFER TO CRITICAL JEDEC INFORMATION FOR SOCKET OUTLINE PER SO-001.
10. DIMM MODULE SEATING PLANE FROM TOP OF PCB.
11. CONTACT MOLEX FOR AVAILABILITY OF PRODUCT OPTIONS.

△ PART NUMBER SHALL BE MARKED LEGIBLY AS 87705-****



5.00 MIN
LATCH KEEP
OUT AREA

OBS TIN/LEAD P/N EC NO: S2006-0746 DRWN:MLONG CHKD:IHO APPR:GGLLEE	2006/02/27	DESCRIPTION
	2006/02/28	
	2006/02/28	
	2006/02/28	

QUALITY SYMBOLS
▽=0
△=0

GENERAL TOLERANCES (UNLESS SPECIFIED)	
	mm INCH
4 PLACES	± --- ± ---
3 PLACES	± --- ± ---
2 PLACES	± 0.20 ± ---
1 PLACE	± --- ± ---
ANGULAR ± 5 °	
DRAFT WHERE APPLICABLE MUST REMAIN WITHIN DIMENSIONS	

DIMENSION STYLE MM ONLY	
DRAWN BY	DATE
CGOH	2002/05/09
CHECKED BY	DATE
DSOH	2002/07/22
APPROVED BY	DATE
SKTOH	2002/07/23
MATERIAL NO.	
SEE TABLE	

SCALE NTS	DESIGN UNITS METRIC	THIRD ANGLE PROJECTION
TITLE DDR2 DIMM, 100MM PITCH 240 CKTS (FORKLOCK VERSION)		
MOLEX INCORPORATED		
MATERIAL NO.	DOCUMENT NO.	SHEET NO.
SD-87705-001		1 OF 6

9 8 7 6 5 4 3 2 1

10 9 8 7 6 5 4 3 2 1

F

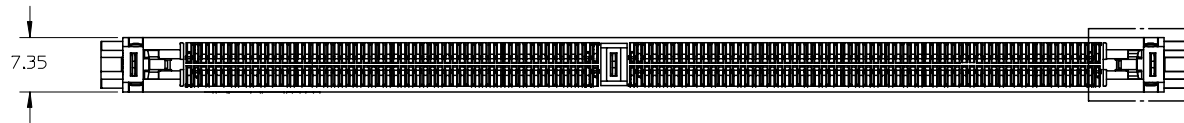
E

D

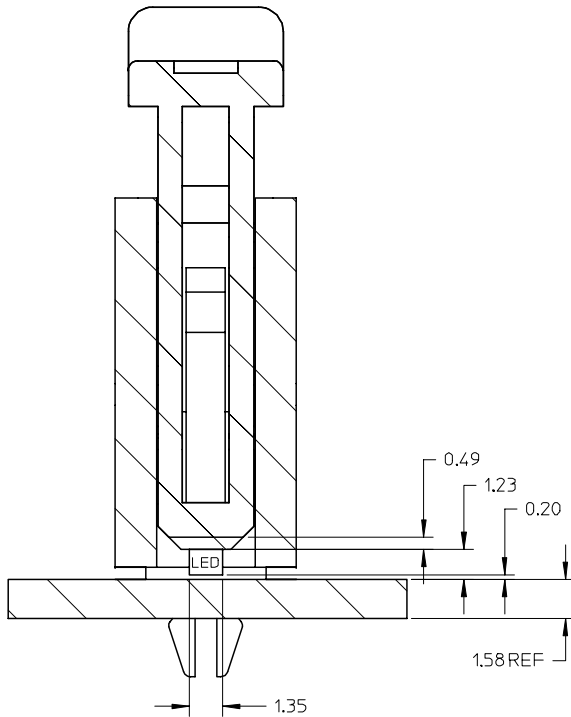
C

B

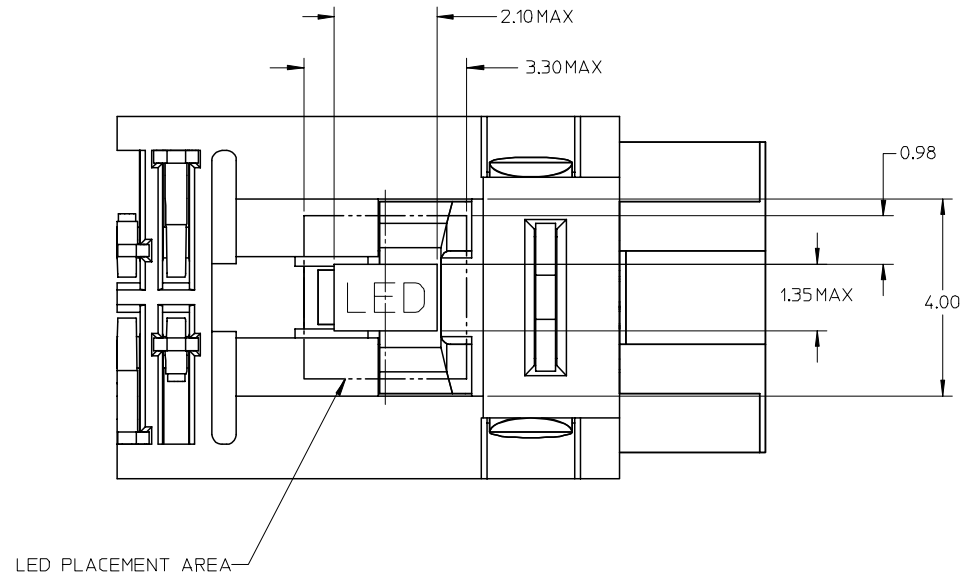
A



Detail5



SECTION C-C



Detail 5

OBS TIN/LEAD P/N EC NO: S2006-0746 DRWN:MLONG CHKD:IHO APPR:GJLEE	2006/02/27 2006/02/28 2006/02/28	QUALITY SYMBOLS ▽=0 ◻=0	GENERAL TOLERANCES (UNLESS SPECIFIED)		DIMENSION STYLE MM ONLY		SCALE NTS	DESIGN UNITS METRIC	THIRD ANGLE PROJECTION	
				mm	INCH	DRAWN BY CG0H	DATE 2002/05/09	TITLE DDR2 DIMM, 100MM PITCH 240 CKTS (FORKLOCK VERSION)		
			4 PLACES	± ---	± ---	CHECKED BY DS0H	DATE 2002/07/22	MOLEX INCORPORATED		
			3 PLACES	± ---	± ---	APPROVED BY SKT0H	DATE 2002/07/23			
2 PLACES	± 0.20	± ---	ANGULAR ± 5 °		DOCUMENT NO. SD-87705-001	SHEET NO. 2 OF 6				
1 PLACE	± ---	± ---	DRAFT WHERE APPLICABLE MUST REMAIN WITHIN DIMENSIONS		SEE TABLE					
REV		DESCRIPTION		SIZE A3		THIS DRAWING CONTAINS INFORMATION THAT IS PROPRIETARY TO MOLEX INCORPORATED AND SHOULD NOT BE USED WITHOUT WRITTEN PERMISSION				

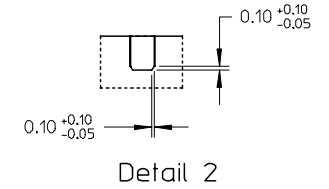
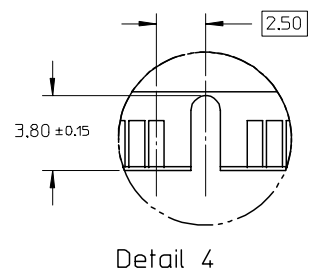
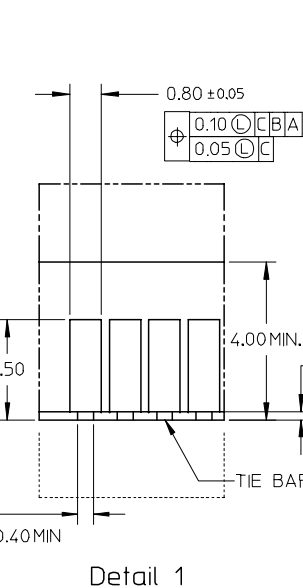
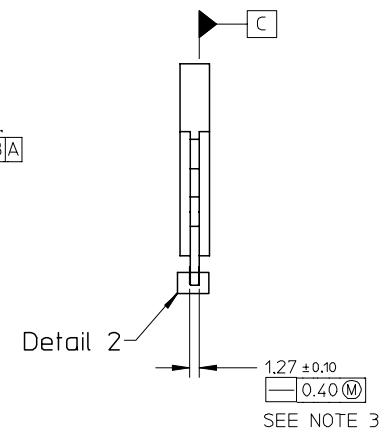
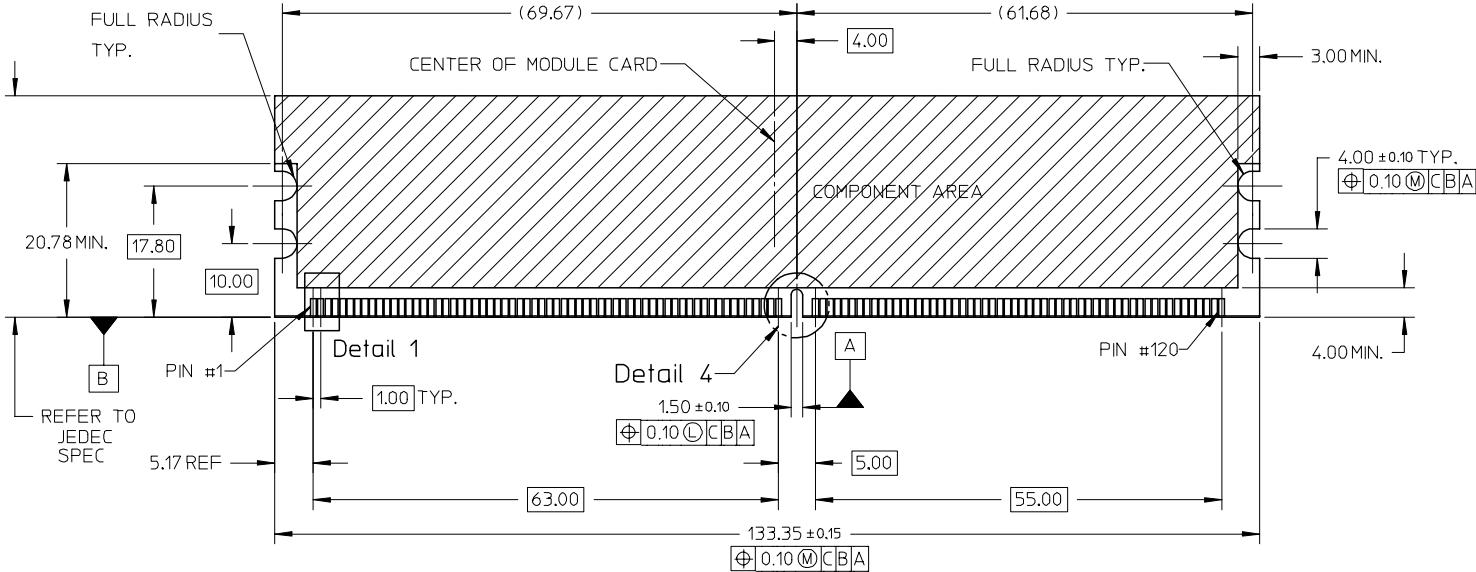
9 8 7 6 5 4 3 2 1

10 9 8 7 6 5 4 3 2 1

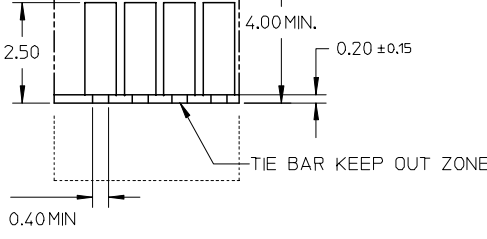
F

F

RECOMMENDED MODULE LAYOUT

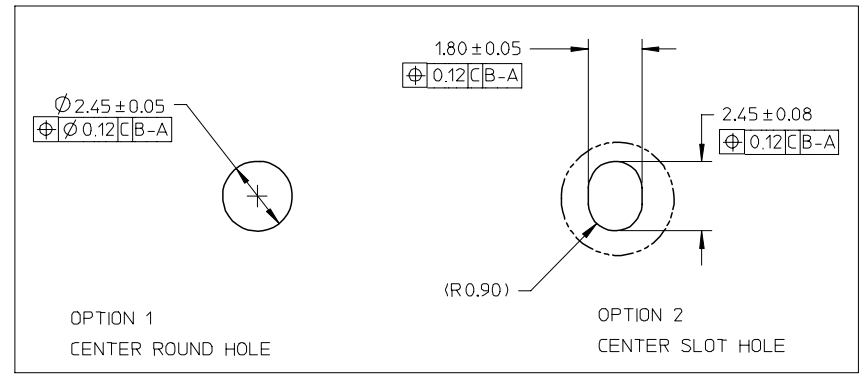
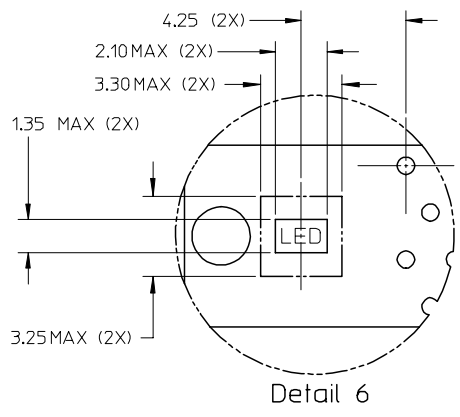


NOTES:
1. MODULE CARD USED FOR TESTS ARE WITH 0.10MM CHAMFER.

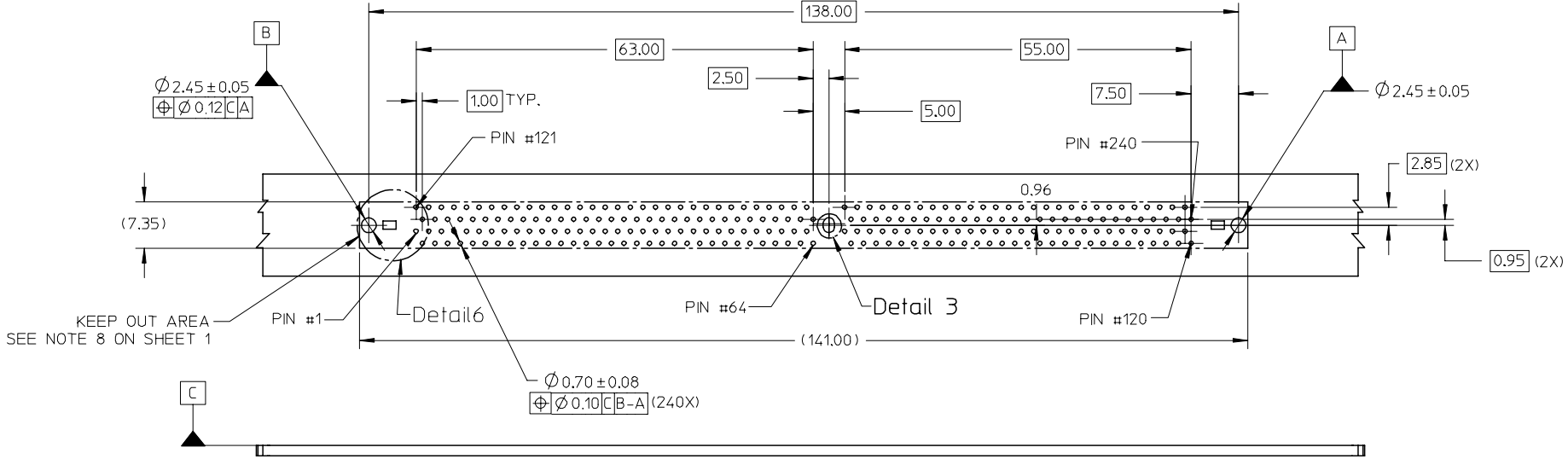


OBS TIN/LEAD P/N EC NO: S2006-0746 DRWN:HLG CHKD:HO APPR:GJLEE	2006/02/27 2006/02/28 2006/02/28	QUALITY SYMBOLS ▽=0 ∇=0	GENERAL TOLERANCES (UNLESS SPECIFIED)		DIMENSION STYLE MM ONLY		SCALE NTS	DESIGN UNITS METRIC	THIRD ANGLE PROJECTION	
			mm	INCH	DRAWN BY CGOH	DATE 2002/05/09	TITLE DDR2 DIMM, 100MM PITCH 240 CKTS (FORKLOCK VERSION)	MOLEX INCORPORATED		
D	REV	DESCRIPTION	DRAFT WHERE APPLICABLE MUST REMAIN WITHIN DIMENSIONS		SEE TABLE		DOCUMENT NO. SD-87705-001		SHEET NO. 3 OF 6	
			SIZE A3		MATERIAL NO. SKT0H		DATE 2002/07/23		APPROVED BY DATE	

9 8 7 6 5 4 3 2 1



(SEE RECOMMENDED THICKNESS IN TABLE)
RECOMMENDED PCB LAYOUT
CONNECTOR SIDE



KEEP OUT AREA
SEE NOTE 8 ON SHEET 1

OBS	TIN/LEAD P/N	2006/02/27
EC NO:	S2006-0746	2006/02/28
DRWN:	MLONG	2006/02/28
CHKD:	IHO	2006/02/28
APPR:	GGLEE	2006/02/28
REV	DESCRIPTION	
D		

QUALITY SYMBOLS	$\nabla = 0$
	$\triangle = 0$

GENERAL TOLERANCES (UNLESS SPECIFIED)	mm	INCH	
	4 PLACES	\pm ---	\pm ---
	3 PLACES	\pm ---	\pm ---
	2 PLACES	± 0.20	\pm ---
	1 PLACE	\pm ---	\pm ---
	ANGULAR $\pm 5^\circ$		
DRAFT WHERE APPLICABLE	MUST REMAIN WITHIN DIMENSIONS		

DIMENSION STYLE		SCALE	DESIGN UNITS	THIRD ANGLE PROJECTION
MM ONLY		NTS	METRIC	
DRAWN BY	DATE	TITLE		
CGOH	2002/05/09	DDR2 DIMM, 100MM PITCH		
CHECKED BY	DATE			
DSOH	2002/07/22			
APPROVED BY	DATE			
SKTOH	2002/07/23			
MATERIAL NO.	DOCUMENT NO.			
	SD-87705-001			
SIZE	SEE TABLE			
A3				

MOLEX INCORPORATED		SHEET NO.
		4 OF 6
THIS DRAWING CONTAINS INFORMATION THAT IS PROPRIETARY TO MOLEX INCORPORATED AND SHOULD NOT BE USED WITHOUT WRITTEN PERMISSION		

10 9 8 7 6 5 4 3 2 1

F

E

D

C

B

A

F

E

D

C

B

A

PART NO.	KEY POS.	DIM 'P'	RECOMMENDED PCB THICKNESS	PLATING OPTION	LATCH COLOR
87705-0021	CENTER (1.8V)	2.67	1.57	0.38µM / 15 µIN MIN. GOLD ON CONTACT, 2.54µM/ 100µIN MIN. TIN ON SOLDERTAILS, 1.27µM/ 50µIN MIN. NICKEL UNDERPLATE	NATURAL
87705-1021		3.18	2.36		
87705-1053		3.66			
87705-0031		2.67	1.57	0.03µM / 1 µIN MIN. GOLD ON CONTACT, 2.54µM/ 100µIN MIN. TIN ON SOLDERTAILS, 1.27µM/ 50µIN MIN. NICKEL UNDERPLATE	
87705-1031		3.18	2.36		
87705-0051		2.67	1.57	0.76µM / 30 µIN MIN. GOLD ON CONTACT, 2.54µM/ 100µIN MIN. TIN ON SOLDERTAILS, 1.27µM/ 50µIN MIN. NICKEL UNDERPLATE	
87705-1051		3.18	2.36		

OBS TIN/LEAD P/N EC NO: S2006-0746 DRWN:MLONG CHKD:IHO APPR:GJLEE	2006/02/27 2006/02/28 2006/02/28	DESCRIPTION REV	QUALITY SYMBOLS ▽=0 ◻=0	GENERAL TOLERANCES (UNLESS SPECIFIED)		DIMENSION STYLE MM ONLY		SCALE NTS	DESIGN UNITS METRIC	THIRD ANGLE PROJECTION	
					mm	INCH	DRAWN BY	DATE	TITLE DDR2 DIMM, 1.00MM PITCH 240 CKTS (FORKLOCK VERSION)		
				4 PLACES	± ---	± ---	CGOH	2002/05/09			
				3 PLACES	± ---	± ---	CHECKED BY	DATE	MOLEX INCORPORATED		
2 PLACES	± 0.20	± ---	DSOH	2002/07/22							
1 PLACE	± ---	± ---	APPROVED BY	DATE	MATERIAL NO. SEE TABLE		DOCUMENT NO. SD-87705-001	SHEET NO. 5 OF 6			
ANGULAR ± 5 °		DRAFT WHERE APPLICABLE MUST REMAIN WITHIN DIMENSIONS		SKTOH 2002/07/23							

9 8 7 6 5 4 3 2 1

10 9 8 7 6 5 4 3 2 1

F

E

D

C

B

A

F

E

D

C

B

A

PART NO.	KEY POS.	DIM 'P'	RECOMMENDED PCB THICKNESS	PLATING OPTION	LATCH COLOR
87705-5051	CENTER (1.8V)	2.67	1.57	0.76µM / 30 µIN MIN. GOLD ON CONTACT, 2.54µM/ 100µIN MIN. TIN ON SOLDER TAILS, 1.27µM/ 50µIN MIN. NICKEL UNDERPLATE	CLEAR
87705-5151		3.18	2.36		
87705-6151		3.18	2.36	0.38µM / 15 µIN MIN. GOLD ON CONTACT, 2.54µM/ 100µIN MIN. TIN ON SOLDER TAILS, 1.27µM/ 50µIN MIN. NICKEL UNDERPLATE	BLACK
87705-9101		2.67	1.57		

OBS TIN/LEAD P/N EC NO: S2006-0746 DRWN:MLONG CHKD:IHO APPR:GJLEE	2006/02/27 2006/02/28 2006/02/28	DESCRIPTION REV	QUALITY SYMBOLS	GENERAL TOLERANCES (UNLESS SPECIFIED) <table border="1"> <thead> <tr> <th></th> <th>mm</th> <th>INCH</th> </tr> </thead> <tbody> <tr> <td>4 PLACES</td> <td>± .005</td> <td>± .0004</td> </tr> <tr> <td>3 PLACES</td> <td>± .005</td> <td>± .0004</td> </tr> <tr> <td>2 PLACES</td> <td>± 0.20</td> <td>± .0079</td> </tr> <tr> <td>1 PLACE</td> <td>± .005</td> <td>± .0004</td> </tr> </tbody> </table> ANGULAR ± 5 °		mm	INCH	4 PLACES	± .005	± .0004	3 PLACES	± .005	± .0004	2 PLACES	± 0.20	± .0079	1 PLACE	± .005	± .0004	DIMENSION STYLE MM ONLY	SCALE NTS	DESIGN UNITS METRIC	THIRD ANGLE PROJECTION
					mm	INCH																	
			4 PLACES		± .005	± .0004																	
			3 PLACES		± .005	± .0004																	
			2 PLACES		± 0.20	± .0079																	
1 PLACE	± .005	± .0004																					
▽=0	□=0	DRAWN BY CG0H	DATE 2002/05/09	TITLE DDR2 DIMM, 1.00MM PITCH 240 CKTS (FORKLOCK VERSION)																			
		CHECKED BY DS0H	DATE 2002/07/22																				
		APPROVED BY SKT0H	DATE 2002/07/23	MOLEX INCORPORATED																			
		MATERIAL NO.	DOCUMENT NO. SD-87705-001	SHEET NO. 6 OF 6																			

DRAFT WHERE APPLICABLE
MUST REMAIN
WITHIN DIMENSIONS

SIZE A3
THIS DRAWING CONTAINS INFORMATION THAT IS PROPRIETARY TO MOLEX INCORPORATED AND SHOULD NOT BE USED WITHOUT WRITTEN PERMISSION

9 8 7 6 5 4 3 2 1