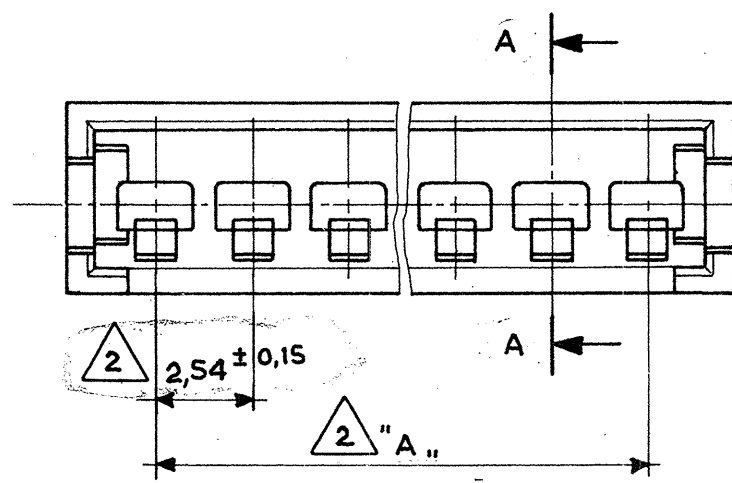
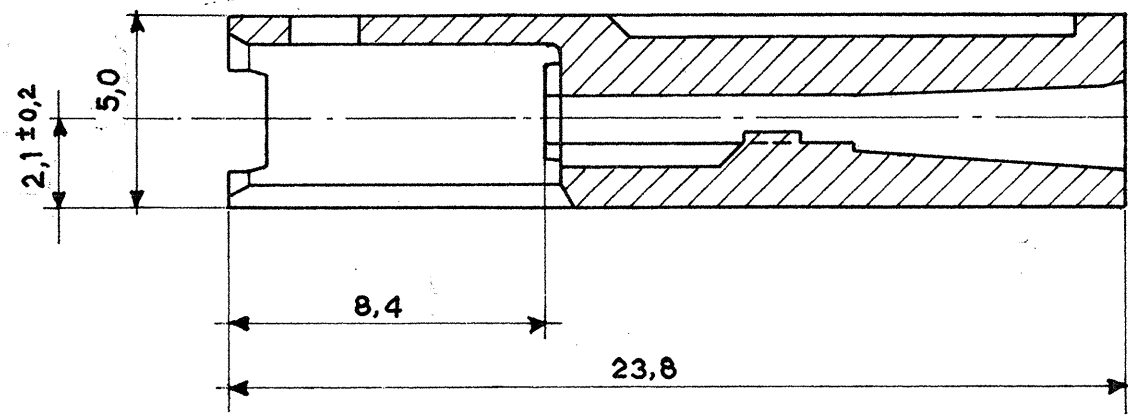


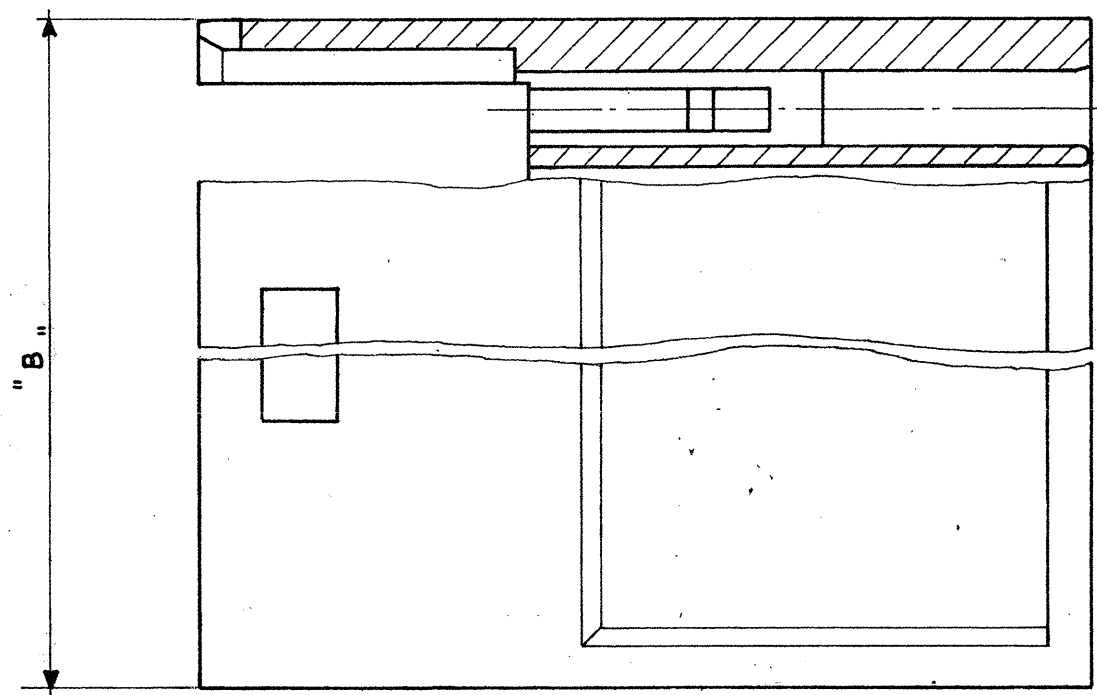
Sezione A-A
(Section)



Note: (Notes)

- 1 Noryl (UL94-VI) Colore Nero (Black Colour).
- 2 Tolleranza non Cumulativa. (Non-Cumulative Tolerance.)
- 3 PA 6.6 15% g.f. masterizzato ROSSO (PA 6.6 15% g.f. masterized - RED)

N° Pos.	Part. Number	Dim. "A"	Dim. "B"	Mat.
4	284072-1	7,62	12,5	3
2	284071-1	2,54	7,4	
22	280636	53,34	58,2	1
15	280635	35,56	40,4	
12	280634	27,94	32,8	
10	280633	22,86	27,7	
9	280632	20,32	25,1	
8	280631	17,78	22,6	
6	280630	12,70	17,5	
4	280629	7,62	12,5	
2	280628	2,54	7,4	
N° Pos.	Part. Number	Dim. "A"	Dim. "B"	



FINITURA / COLORE (FINISH / COLOUR) MATERIALE (MATERIAL) NUMERO (PART NUMBER)

CUSTOMER DWG. FOR REFERENCE ONLY **DISEGNO PER CLIENTE SOLO PER RIFERIMENTO**

THIS DRAWING IS UNPUBLISHED RELEASE FOR PUBLICATION

© COPYRIGHT 19 BY AMP INCORPORATED, HARRISBURG, PA ALL INTERNATIONAL RIGHT RESERVED AMP PRODUCTS MAY BE COVERED BY U.S. AND FOREIGN PATENT AND/OR PATENT PENDING

TOLLERANZE: SE NON DIVERSAMENTE SPECIFICATO (TOLERANCES UNLESS OTHERWISE SPECIFIED) ± 0,3

DIAM. ISOLANTE (INS. DIA. RANGE) RANGO FILO (WIRE RANGE) SCALA (SCALE) 5:1

ANGOLI (ANGLES) ± 2°

AMP AMP ITALIA S.p.A. Corso F.lli Cervi, 15 COLLEGNO (TORINO)

H2	RELEASED FOR PRODUCTION	10.7	CONT. (CHK)
H1	APPLICAZIONE PINS 284071-1 (284072-1) 2810	29.9	APP. (APP.)
2	Revised note	29.9	
1	Revised and Redrawn	29.9	
REV. (REV.)	REVISIONI (REVISION RECORD)	DIS. (DR)	DATA (DATE)

DESCRIZIONE (DESCRIPTION): AMP MODU II Pin Housing, Single Row, Crimp Snap-In.

LOC. SIZE NUMERO (DWG NO) 280628 REV. (REV.) H2

FOGLIO (SHEET) 1 (OF) 1

DISTRIBUZIONE (PRINT DIST.)