

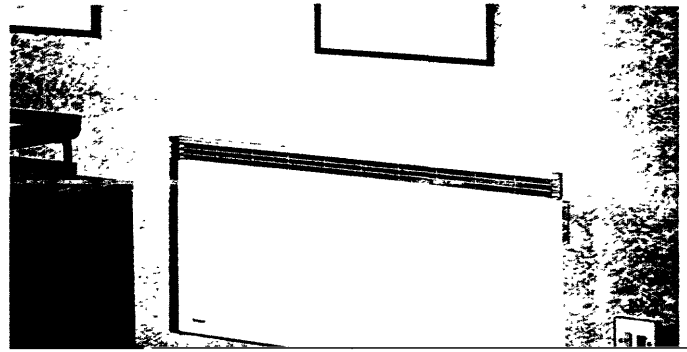
700 7450
700 7462

 **Dimplex**

XCPE Range 7007450 ? 7007462 ?

Panel Heaters

- Designed with commercial and office usage particularly in mind
- Robust and ultra-efficient yet elegantly slim and unobtrusive
- Safer, lower surface temperature which is achieved by a large surface area of the finned element and sophisticated thermostat
- Fitted with an electronic thermostat accurate to within $1/2^{\circ}\text{C}$ to maintain a very stable room temperature
- Lockable controls cover available as an optional accessory for commercial applications
- With in-built facilities for temperature set-back control
- XCP/NC version with no user controls designed for use with Dimplex Comfort Control. (Model no. PX9501).



Front Facing grille

The front facing grille minimises wall staining, while maximising heat distribution into the room. An unpainted galvanised steel rear panel also acts as a heat deflector, reducing heat loss through walls/windows and pushing the maximum available heat into the room. In cases where heaters are positioned under windows the forward facing grille and the rear panel can improve efficiency by up to 20%.

Wall Mounting

The carton is specially marked so that it can be used as a template when fitting the heater to the wall. Due to the large surface area element and low panel temperatures, the heater can be fitted at low level and the minimum clearances required around the heater are significantly less than for other panel heaters.

Drip Proofing

All XCPE heaters are drip-proof as standard for bathroom use.

Element

The metal-sheathed mineral-filled element has large surface area fins giving good heat

distribution and contribute to the safer, lower-than-average panel surface temperatures.

Construction

Corrosion-resistant galvanised steel.

Electrical Connections

1m of supply cable fitted to each heater. Suitable connection to the wiring of the premises and double-pole switching must be provided adjacent to the appliance to comply with IEE wiring regulations.

Over Temperature

Cut-out

To comply with the latest safety standards, all XCPE heaters have an auto-reset thermal overload cut-out fitted to protect the heater from overheating.

Accessories

Tamperproof controls cover (Model No: XC9402) available as an optional extra. The kit contains a cover which fits over the on-off switch and thermostat knob and the Memotherm Energy Saver if fitted.

Colour/Finish

Electrostatically applied polyester powder coating in light grey with contrasting dark grey trim.

Electronic thermostat operation

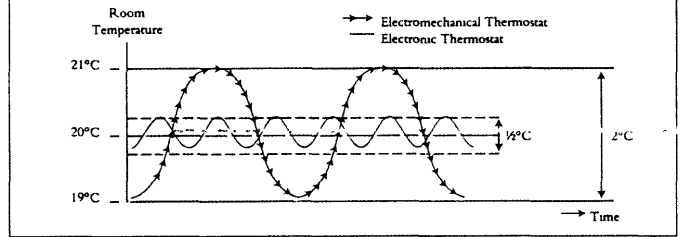
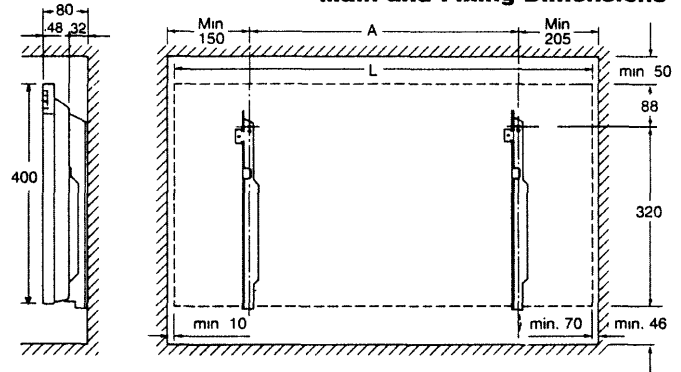


Diagram 1

Technical Specification

Model No.	Loading watts	L (Length) mm	A mm	Weight with carton kg
XCPE060	600	555	280	4.3
XCPE080	800	645	370	4.9
XCPE100	1000	735	460	5.5
XCPE120	1200	915	640	6.9
XCPE150	1500	1095	820	8.4
XCPE200	2000	1365	1090	10.4

Main and Fixing Dimensions



PX9501

Comfort Control – Press Button Delay Timer

Press Button Delay Timer

The perfect answer to energy saving control for applications such as student accommodation, hotels and offices. The Comfort Control can be used with the XCP/NC range of panel heaters or any other heater, such as the FX20, with a loading up to 3kW. When the button is pressed the heating comes on for a pre-set amount of time at a pre-set temperature and then sets back automatically to a lower temperature. Rooms are therefore not fully heated when they are not occupied thus saving energy.

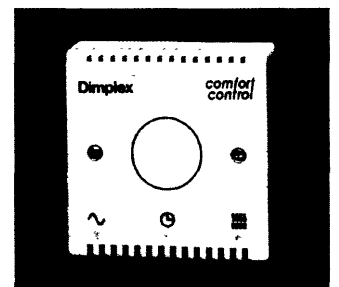
- Very simple to install adjacent to heater
- To heat the room the

occupier simply presses the button. There are no other controls. At the end of the heating period the heater automatically sets back to a lower temperature.

- On installation the heater sets:
 - **The heating period.** Choice of 20 minutes, 1 hour, 2 hours or 4 hours.
 - **The room temperature.** The thermostat in the Comfort Control can be set to hold the room to a temperature between 18°C and 24°C during the heating period.
 - **The set back temperature.** This can be set at one of a range of temperatures between 5°C and 19°C
- Once the internal settings are

set on installation by the installer, the occupier of the room has no access to them.

- Audio beep which sounds when button pressed.
- Heating period cannot be extended by pressing the button again until the pre-set time has elapsed.
- 5°C frost protection set-back setting can be selected on installation.
- Neon function indicators.
- Can be connected to a heater up to 3kW.



Specifications

Model No	Length	Height	Depth
PX9501	85mm	85mm	25mm

Convactor Heaters XCPE Range

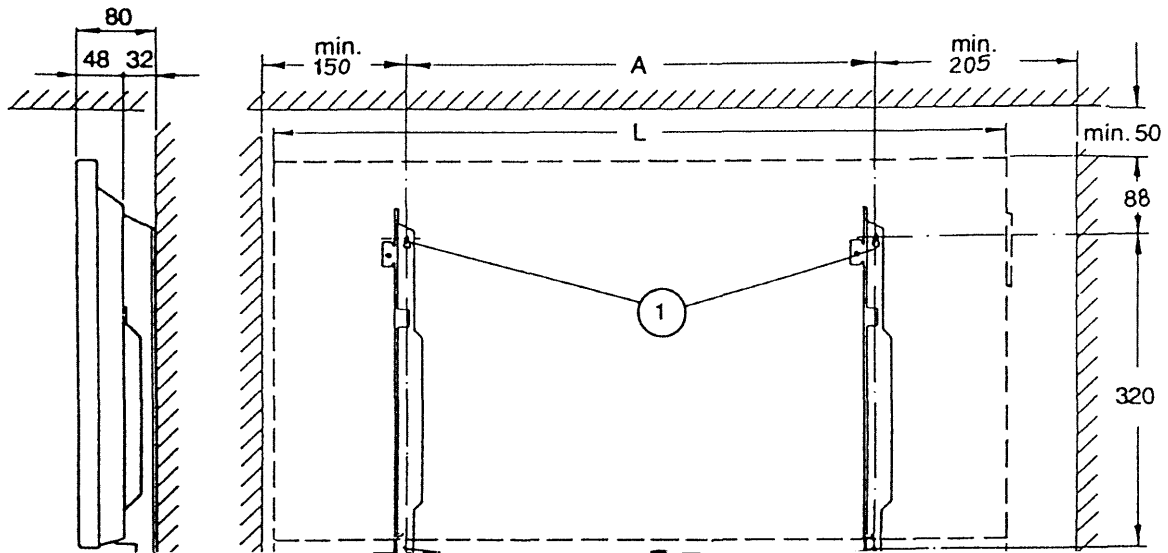


T9172

IMPORTANT

INSTALLER AND USER PLEASE NOTE - These instructions should be read carefully and left with the USER of the heater for future reference.

Main Dimensions



Minimum distances in mm.

Model No.	Loading watts	A mm	L mm	Weight kg
XCPE 060	600	280	555	4.4
XCPE 080	800	370	645	5.0
XCPE 100	1000	460	735	5.6
XCPE 120	1200	640	915	7.0
XCPE 150	1500	820	1095	8.2
XCPE 200	2000	1090	1365	9.9

Electrical Connections

The voltage of each appliance is shown on the rating label. It must only be used on an A.C. electricity supply having the same voltage.

WARNING: THIS APPLIANCE MUST BE EARTHED

IMPORTANT

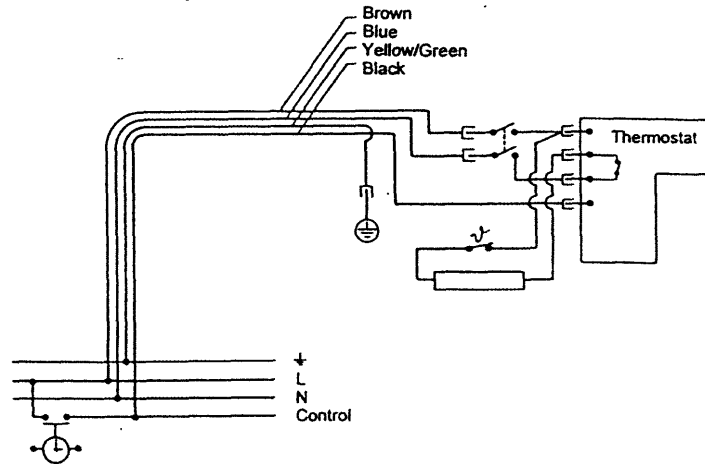
The wires in the mains lead are coloured in accordance with the following code:

GREEN and YELLOW: EARTH

BLUE: NEUTRAL

BROWN: LIVE

BLACK: CONTROL CABLE



This appliance has been designed to be used in conjunction with a remote central controller. If however it is intended for connection to a plug and socket, it must be wired in the following way:

First cut the control cable for night set-back, which is colored black, ensuring that it terminates within the outer sheath of the cable.

As the colours of the wires in the mains lead of this appliance may not correspond with the coloured markings identifying the terminals in your plug, proceed as follows:

The wire which is coloured green and yellow must be connected to the terminal in the plug which is marked with the letter E or by the earth symbol \equiv or coloured green or green and yellow. The wire which is coloured blue must be connected to the terminal which is marked with the letter N or coloured black. The wire which is coloured brown must be connected to the terminal which is marked with the letter L or coloured red. This appliance must only be used on A.C. mains supply 240 volts \sim . If your installation is fitted with 2-pin sockets consult your electrician.

Bathroom Installations

If the heater is installed in a room containing a bath or shower, the electrical installation must be carried out by a competent electrician and be in strict accordance with current I.E.E. Regulations for Electrical Equipment in Buildings.

When used in a bathroom or similar situation, the appliance must be mounted so that no part can be touched by any person using a bath or shower.

Thermostat

Control of room temperature

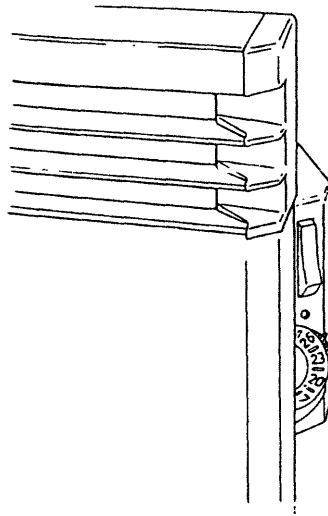
The knob has a maximum and minimum position and is numbered from 8 - 29. These numbers correspond to the room temperature in °C. The minimum setting represents a room temperature of approximately 5°C and may be used for frost protection. The maximum setting will correspond to a room temperature of approximately 30°C (if the appliance has been sized correctly for the application). The thermostat is accurate to ½°C.

Night set-back control

The heater has an in-built temperature reduction function that is to be controlled by a remote central controller. (see the circuit diagram). When the control cable is connected, the room-temperature will be reduced approx. 5°C in relation to the set temperature.

Recalibration of the thermostat

If the heater is fitted in a confined space or strange room configuration, such that the air temperature in the middle of the room does not correspond with the temperature of the air in the zone around the heater or the setting on the thermostat knob, it is possible to re-calibrate the thermostat.



To do this, hold the outer ring of the thermostat knob steady and using a screwdriver turn the inner portion of the knob (marked with temperature settings) so that the temperature displayed corresponds with the actual temperature in the room.

User Instructions

WARNING - THE SURFACE OF THIS HEATER CAN BE HOT

The surface temperatures of this heater are within the requirements of BS3456, and momentary contact with any part of the heater should not cause injury.

However, aged or infirm persons, or young children should not be left unsupervised in the vicinity of the heater unless a suitable guard is fitted.

Upon using your heater for the first time, there may be some evaporation of protective oil from the element for a short period. This may be accompanied by a slight odour. The oil will soon evaporate and no action need be taken except to keep the area well ventilated until the evaporation is complete.

Do not cover the heater

The air circulation around the heater **MUST NOT BE OBSTRUCTED**, for instance by curtains or garments.

ON NO ACCOUNT SHOULD ANY PART OF THE HEATER BE COVERED BY TOWELS OR GARMENTS.

DO NOT COVER THE AIR OUTLET GRILLE AND ENSURE THAT THE AIR INLET UNDER THE HEATER IS KEPT CLEAR AND CLEAN.

Cleaning

Before cleaning your convector first switch off and allow it to cool. The outside can be cleaned by wiping it over a damp cloth and then dried. **DO NOT USE ABRASIVE CLEANING POWDERS.**

Guarantee

Your Dimplex convector is guaranteed for one year from date of purchase. We undertake to exchange or repair free of charge within this period any part found to be defective due to a manufacturing fault. This guarantee in no way prejudices your rights under common law.

Should you require after sales service, please get in touch with the supplier through whom you purchased the appliance, or contact your nearest Dimplex Service Agent.

Please do not initially return a faulty appliance or part of an appliance to us as this may result in transit damage and/or delay in providing service. Let us know your difficulty quoting the model number and series letter of the appliance. We will then take the appropriate action.