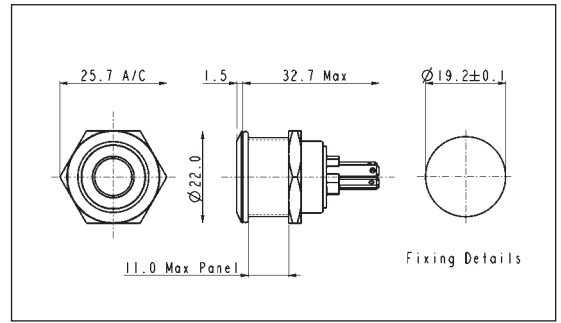


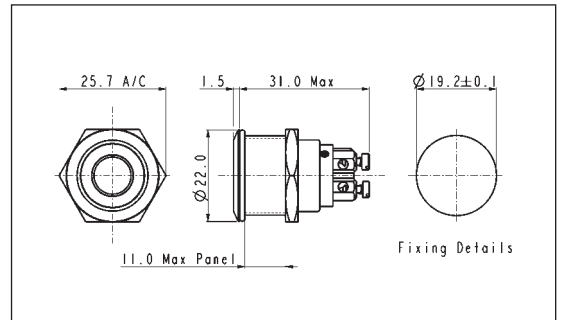
## Stainless Steel Illuminated Vandal Resistant



- Front Panel Mounting
- Dot Illuminated
- 22mm diameter
- S.P. Push to Make
- 50mA, 24V dc contact rating
- Red, Green, Amber or Blue Illumination
- Bright Daylight LEDs
- Separate LED Terminals



- Front Panel Mounting
- Ring Illuminated
- 22mm diameter
- S.P. Push to Make
- 50mA, 24V dc contact rating
- Red, Green, Amber or Blue Illumination
- Bright Daylight LEDs
- Separate LED Terminals



Specification	MPI001/Termination/Col	MPI002/Termination/Col
Terminations:	/28 (2.8mm tabs), /Term (screw terminals)	/28 (2.8mm tabs), /Term (screw terminals)
Switching:	S.P. Push to make, tactile	S.P. Push to make, tactile
Max. Rating:	50mA, 24V d.c.	50mA, 24V d.c.
Contact Resistance:	<100mΩ	<100mΩ
Insulation Resistance:	>10 <sup>3</sup> MΩ	>10 <sup>3</sup> MΩ.
Dielectric Strength:	Contact to Panel >2.0kV Contact to Contact 1500V	Contact to Panel >2.0kV Contact to Contact 1500V
Operating Temp. Range:	-30°C to +70°C	-30°C to +70°C
Sealing (Front of panel only):	Protection Classification: IP66 EN60529 1992	Protection Classification: IP66 EN60529 1992
Materials:		
Switch assembly:	V-0 rated Polyamide (Nylon)	V-0 rated Polyamide (Nylon)
Tags:	Copper Alloy	Copper Alloy
Terminals:	Copper Alloy	Copper Alloy
Switch Body & Button:	Marine Grade Stainless Steel	Marine Grade Stainless Steel
Lens and Lens Body:	Polycarbonate	Polycarbonate
O rings:	Nitrile and Silicone	Nitrile and Silicone
Contact Plate:	Gold Plated	Gold Plated
LEDs (ratings @ 20mA)		
Colours	Red Green Amber Blue	Red Green Amber Blue
Luminous Intensity	900mcd 150mcd 220mcd 1500mcd	900mcd 150mcd 220mcd 1500mcd
Forward Voltage*	1.85V 2.2V 2.0V 3.6V	1.85V 2.2V 2.0V 3.6V
Part No.	/RD /GN /AM /BL	/RD /GN /AM /BL
	*A resistor must be series connected by the user	