

DATA VANDAL-PROOF MECHANICAL SWITCHES

BENEFITS

- Rugged design
- Protection against vandalism
- Highest quality and long service life due to high-quality materials
- Reliable tactile feedback of input
- Exceptional price/performance ratio
- Versatile color design and lettering

		MCS18/22 ES	MCS19	SSM	MCS30
Electrical data:					
Contact material		gold	silver*	Au/Ni	silver*
Switching voltage max.	[VDC]	24	48	50	48
Switching voltage min.	[VDC]	50 mV	4 V	3 V	4 V
Switching current max.	[mA]	50	125	50	125
Rated breaking capacity	[W]	1.2	0.72	2.5	
Lifetime (at rated breaking capacity)	[10 ⁶]	0.3	1	20	1
Initial contact resistance new	[m Ω]	< 10	< 50		< 50
Initial contact resistance after lifetime 1 Mio.	[m Ω]	< 30	< 150		< 150
Insulation resistance	[Ω]	> 10 ⁸	> 10 ⁸		> 10 ⁸
Contact bounce	[ms]	< 5	< 5	1	< 5
LED supply voltage	[VDC]				24 V
LED forward current (max.)	[mA]		45		
LED forward voltage (I _f mA)	[V]		red 1.6 green 2.0 yellow 2.0		
Mechanical data:					
Actuating force	[N]	2.8	3.7	2.8	3.7
Contact travel	[mm]	1.7	0.4	0.3	0.4
Degree of protection	[IP]	40	40 Frontside 65 Switch	65 Frontside 40 Rear	40 Frontside 65 Switch
Protection against external mechanical use (DIN EN 50102)	[IK]	IK 07	IK 05	IK 03	IK 05
Climatic data:					
Operating/storage temperature	[°C]	-25 - +85	-25 - +60	-40 - +85	-25 - +60

* gold on request

SUMMARY VANDAL-PROOF MECHANICAL SWITCHES

Mounting diameter:	18	19	19	19	19
Switching function:	N.O.	N.O.	N.O.	N.O.	N.O.
Housing material:	Stainless steel	Zinc diecasting	Zinc diecasting/stainless steel	Stainless steel	Zinc diecasting/stainless steel



In addition to the standard versions, additional versions as well as laser lettering are available on request

MCS18 ES

MCS19
ZINC DIECASTING

MCS19
ZINC DIECASTING/
STAINLESS STEEL

MCS19
STAINLESS
STEEL

MCS19
ACTUATOR VARNISHED

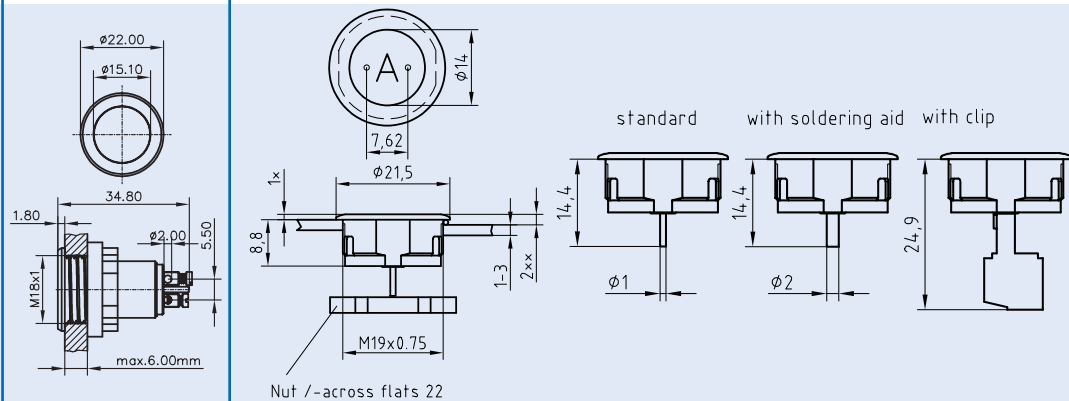
FEATURES

Zinc diecasting			□	□	□			□	■
Stainless steel		□				□	□	■	□
Aluminum									
Red surface									□
Accessories:	All switches are supplied with nut and o-ring seal.								

PART NUMBER

Terminals:	Pins	1241.2800	1241.2805.xxx	1241.2820.xxx	1241.2877.3.xxx
	Pins w. soldering aid	1241.2801	1241.2806.xxx	1241.2821.xxx	1241.2878.3.xxx
	Wire	■	■	■	■
	Clip for pins**	1301.9560	1241.2802	1241.2807.xxx	1241.2879.3.xxx
	Solder terminals				
Illumination:	Red				■
	Green				■
	Yellow				■
	Red/Green				■

Dimensions:



□ Standard version
 ■ Various designs can be provided on request see page 31
 ** Clip for terminal pins can be ordered separately, item 0701.9233
 xxx Specification for lettering see page 35

SUMMARY VANDAL-PROOF MECHANICAL SWITCHES

19	19	22	30	30
N.O.	N.O.	N.O.	N.O.	N.O.
Zinc diecasting/stainless steel	Stainless steel	Aluminum anodized	Stainless steel	
				
MCS19 ILLUMINATED	MCS19 HOUSING VARNISHED	MCS22 ES	MCS30	SSM30

FEATURES

□						□	
	□		□	□	□	■	□
						□	□
		□				■	■

All switches are supplied with nut and o-ring seal.

PART NUMBER

	1241.2873.3.xxx			
□	1241.2874.3.xxx			
■	■			1245.3122.221
■	1241.2875.3.xxx	1301.9565		
		■		
1241.2855.xxx	■		1241.6400	
1241.2856.xxx	■		1241.6401	
1241.2857.xxx	■		1241.6402	
1241.2858.xxx	■		1241.6403	

