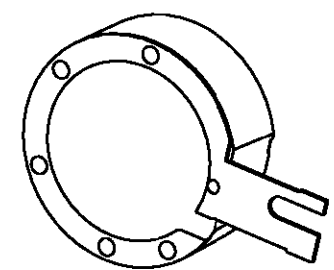
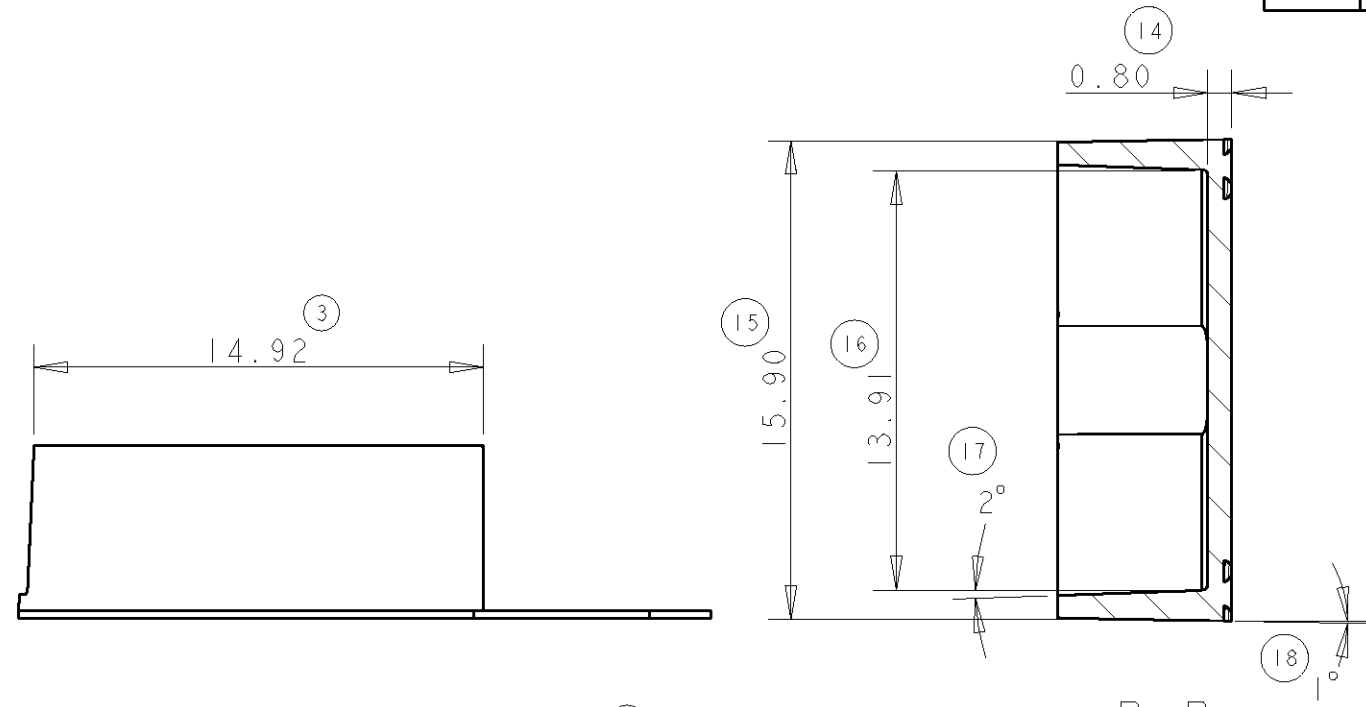


THIS DRAWING IS UNPUBLISHED. RELEASED FOR PUBLICATION 20  
 © COPYRIGHT 20 BY TYCO ELECTRONICS CORPORATION. ALL RIGHTS RESERVED.

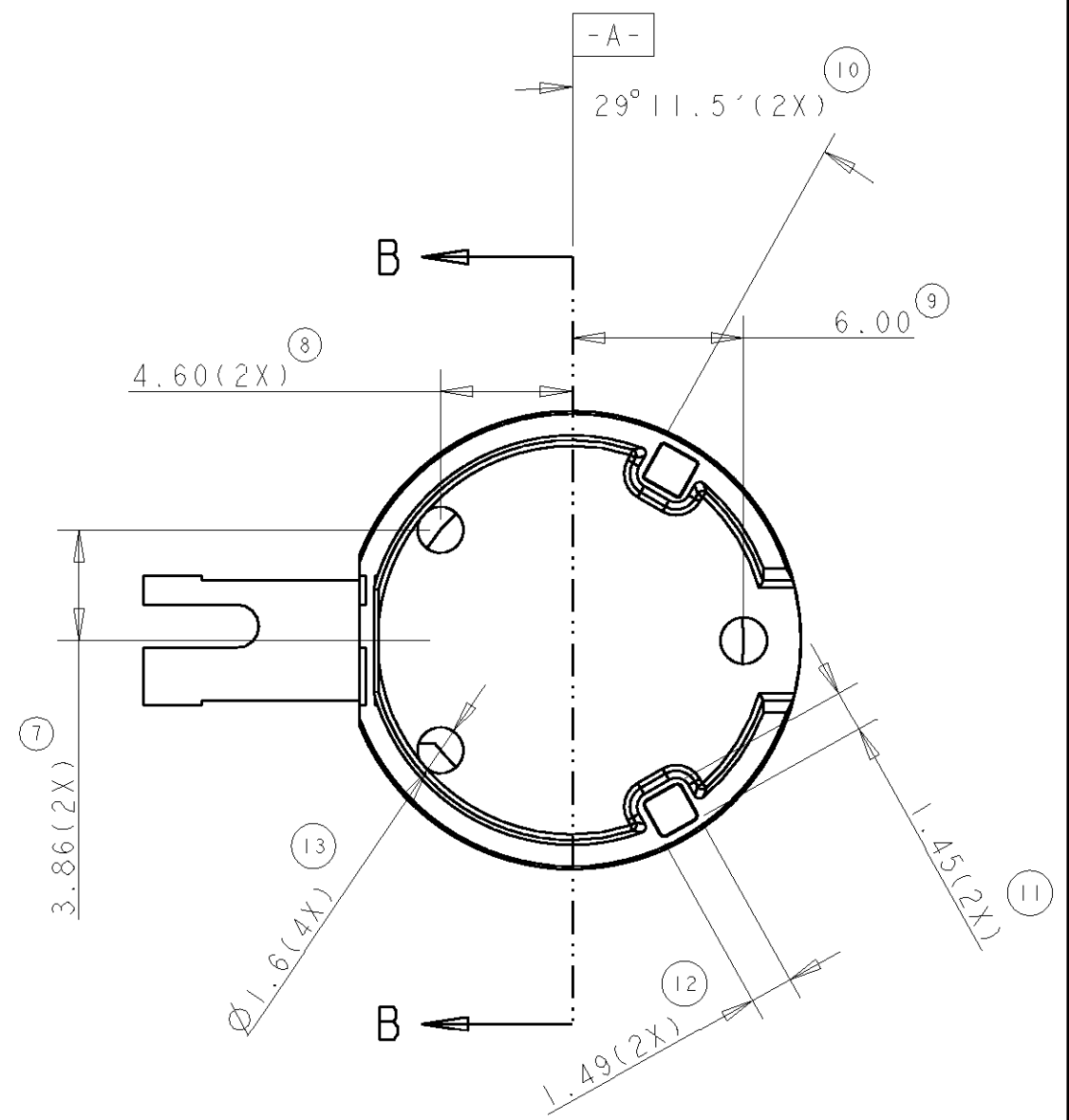
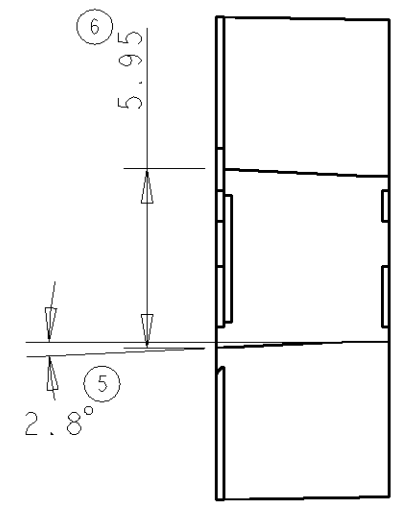
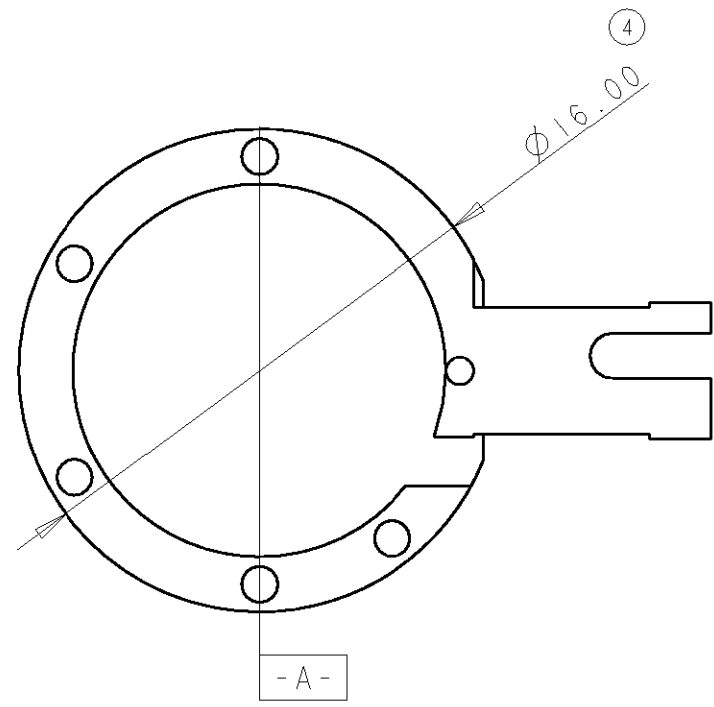
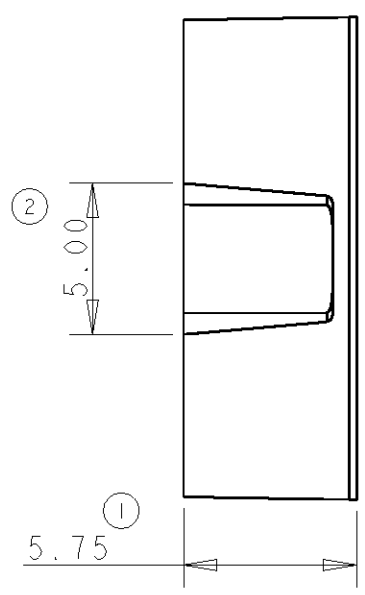
LOC	DIST	REVISIONS			
P	LTR	DESCRIPTION	DATE	DWN	APVD
HQ	00	-	-	-	-
		SEE SHEET 1			



1513252-2  
SCALE 2:1



SECTION B-B



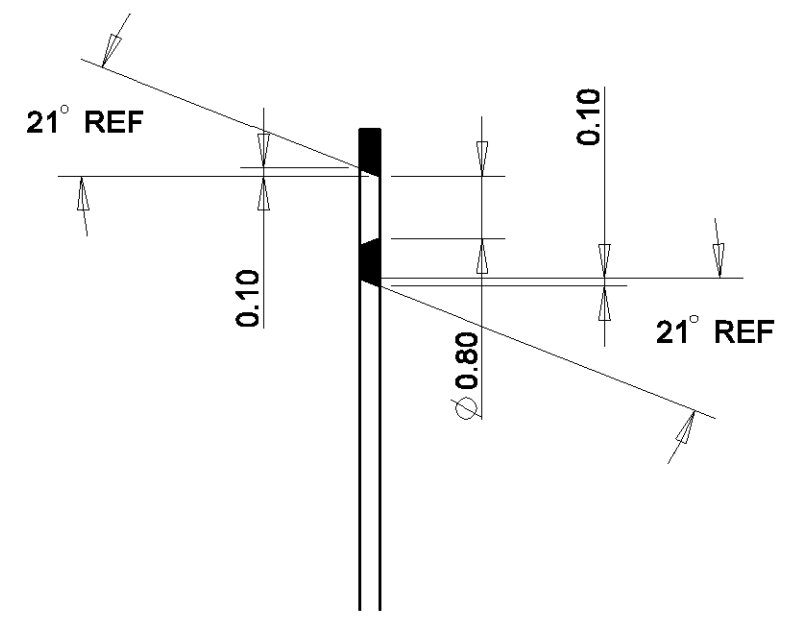
THIS DRAWING IS A CONTROLLED DOCUMENT FOR TYCO ELECTRONICS CORPORATION  
 IT IS SUBJECT TO CHANGE AND THE CONTROLLING ENGINEERING ORGANIZATION  
 SHOULD BE CONTACTED FOR THE LATEST REVISION.

DIMENSIONS:		TOLERANCES UNLESS OTHERWISE SPECIFIED:	
mm			
	0 PLC	±0.10	
	1 PLC	±0.10	
	2 PLC	±0.05	
	3 PLC	±0.05	
	4 PLC	±0.01	
	ANGLES	±1°	
MATERIAL	FINISH		

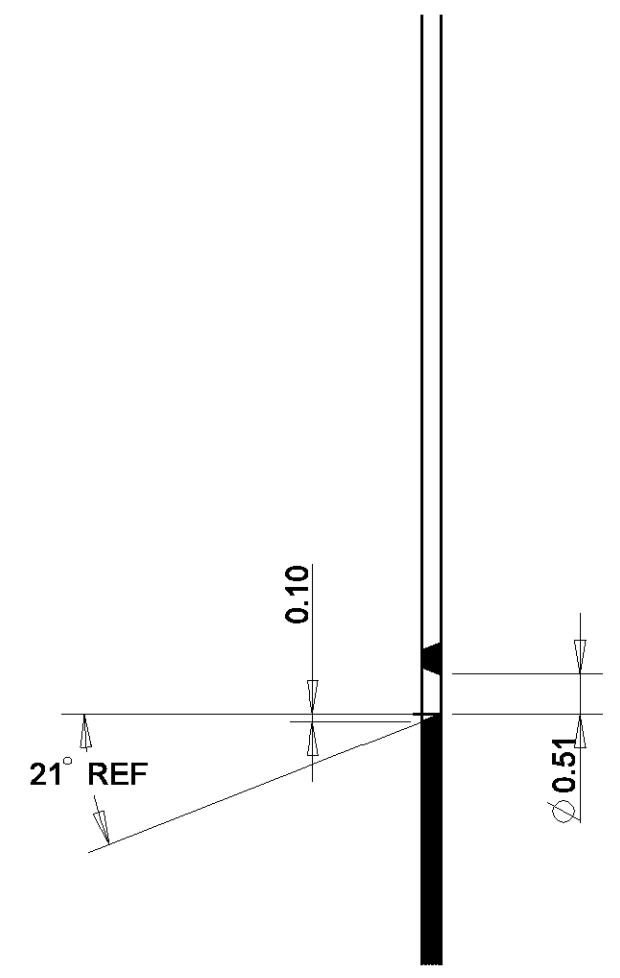
DWN	DJL	11 JAN 2005	<b>tyco</b> Tyco Electronics	
CHK	-	-	Rochester, New York 14623	
APVD	-	-	NAME	
PRODUCT SPEC	-	-	Antenna	
APPLICATION SPEC	-	-	GPS	
WEIGHT	-	-	Overmolded Metal Ring 1513152-2	
CUSTOMER DRAWING	SIZE	CAGE CODE	DRAWING NO	RESTRICTED TO
	A3	00779	C-1513152	-
	SCALE	SHEET	OF	REV
	4:1	2	4	F

THIS DRAWING IS UNPUBLISHED. RELEASED FOR PUBLICATION 20  
 © COPYRIGHT 20 BY TYCO ELECTRONICS CORPORATION. ALL RIGHTS RESERVED.

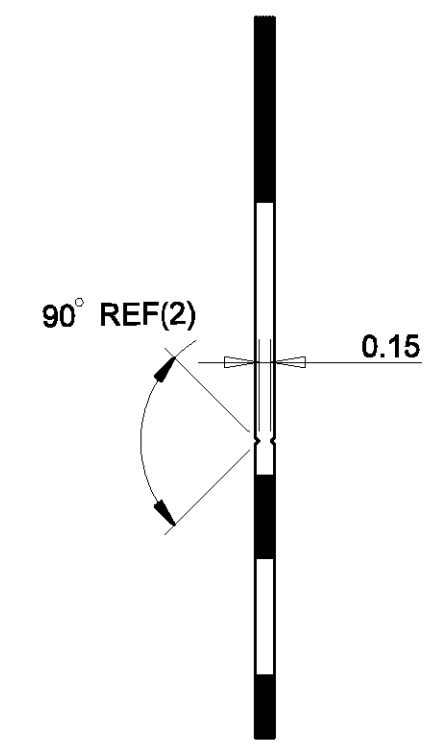
LOC	DIST	REVISIONS					
		P	LTR	DESCRIPTION	DATE	DWN	APVD
HQ	00	-	-	SEE SHEET 1	-	-	-



DETAIL B  
SCALE 5:1



DETAIL C  
SCALE 5:1



DETAIL D  
SCALE 5:1

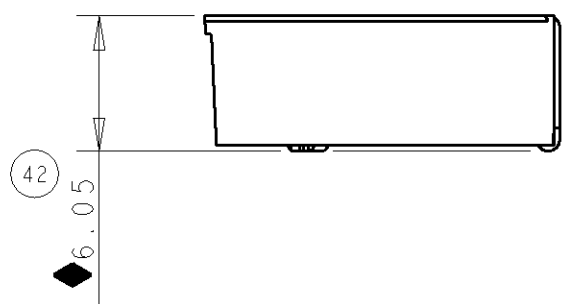
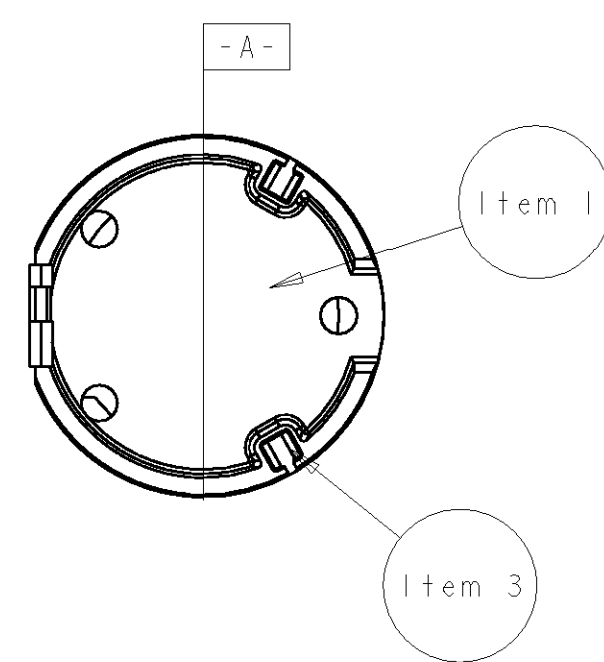
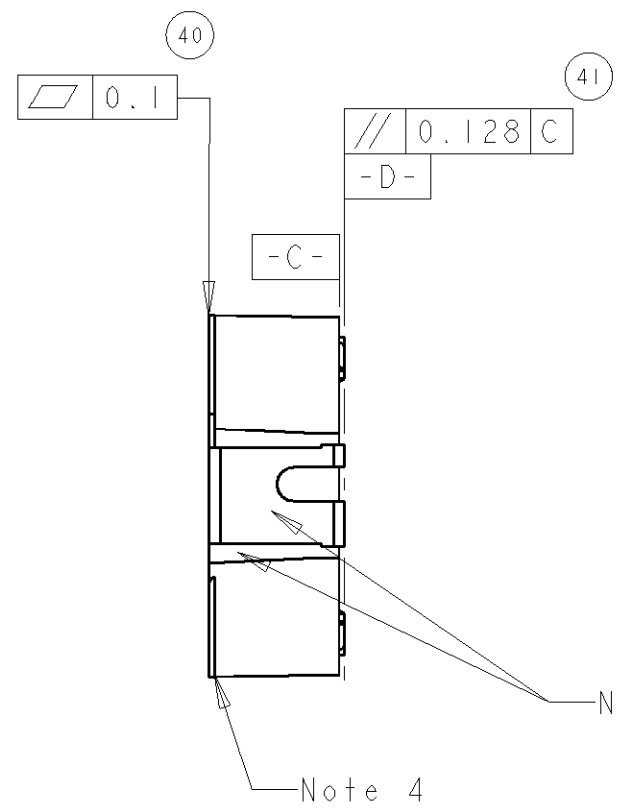
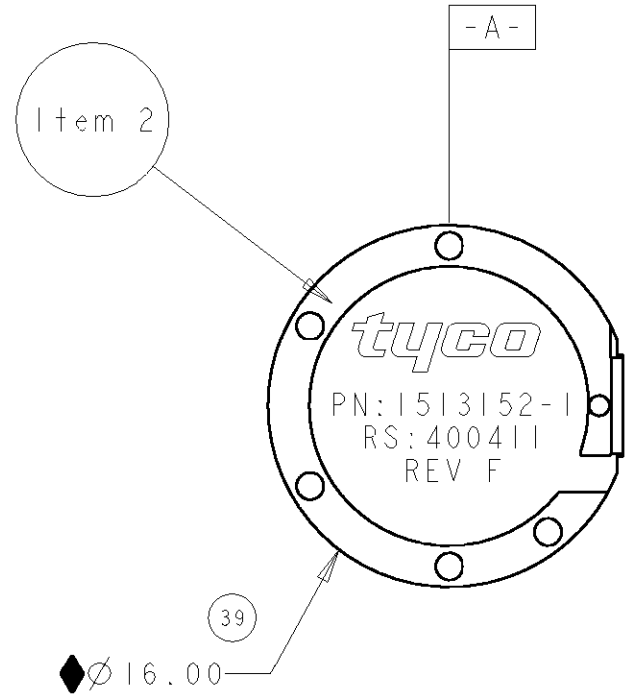
NOTES:

1. Material - Brass CA260, half hard or steel 1050, 0.254mm thick, 28mm width.
2. Unspecified radius is R0.01mm.

<small>THIS DRAWING IS A CONTROLLED DOCUMENT FOR TYCO ELECTRONICS CORPORATION IT IS SUBJECT TO CHANGE AND THE CONTROLLING ENGINEERING ORGANIZATION SHOULD BE CONTACTED FOR THE LATEST REVISION.</small>		DWN DJI	11 JAN 2005	Tyco Electronics Rochester, New York 14623	
DIMENSIONS: mm		CHK -	-	NAME Antenna GPS Metal Ring 1513152-3	
		APVD -	-	RESTRICTED TO -	
TOLERANCES UNLESS OTHERWISE SPECIFIED: 0 PLC ±0.5 1 PLC ±0.1 2 PLC ±0.05 3 PLC ±0.02 4 PLC ±0.01 ANGLES ±1°		PRODUCT SPEC -	-	SIZE A3	CAGE CODE 00779
MATERIAL -		APPLICATION SPEC -	-	DRAWING NO C-1513152	
FINISH -		WEIGHT -	-	SCALE 4:1 SHEET 4 OF 4 REV F	
CUSTOMER DRAWING					

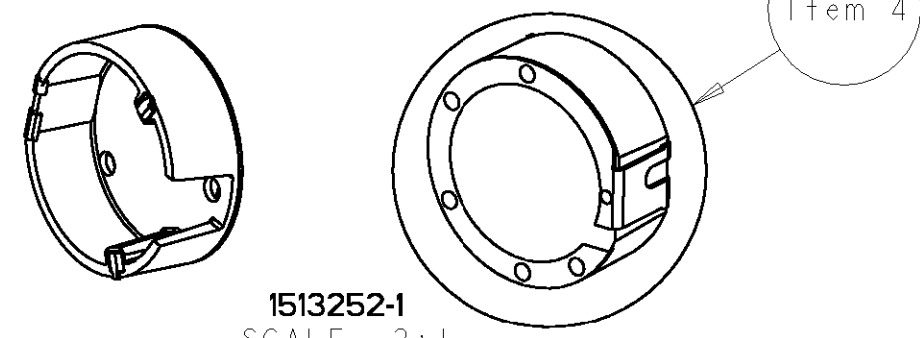
THIS DRAWING IS UNPUBLISHED. RELEASED FOR PUBLICATION 20  
 © COPYRIGHT 20 BY TYCO ELECTRONICS CORPORATION. ALL RIGHTS RESERVED.

LOC	DIST	REVISIONS			
P	LTR	DESCRIPTION	DATE	DWN	APVD
HQ	00				
	D	Dimension clarification	11SEP2003	DJL	MAH
	E	Page 3 and 5 added	17NOV2004	DJL	KPG
	F	"Formed Metal Ring" page elimin.	09DEC2004	VG	MAH



NOTES:

- Material-Dow Questra WA550, 30% glass filled, natural color.
- Item 2 insert molded into item 1. Flat side wall of Item 2 to be flush with flat side wall in Item 1.
- Item 3 press fit into item 4.
- No air gaps between components.
- General tolerance block applies unless otherwise specified.



1513252-1  
SCALE 2:1

ONGOING STATISTICAL PROCESS CONTROL REQUIRED (TOTAL 2 PCS.)

ITEM NO.	QTY.	PART NO.	DESCRIPTION
1	1	1513152-2	OVERMOLDED METAL RING
2	1	1513152-3	METAL RING
3	2	1513167-1	ANCHOR TAB
4	1	1513152-1	ASSEMBLY

<small>THIS DRAWING IS A CONTROLLED DOCUMENT FOR TYCO ELECTRONICS CORPORATION IT IS SUBJECT TO CHANGE AND THE CONTROLLING ENGINEERING ORGANIZATION SHOULD BE CONTACTED FOR THE LATEST REVISION.</small>		DWN DJL 11JAN2005	<b>tyco</b> Tyco Electronics Rochester, New York 14623 <b>Electronics</b>	
DIMENSIONS: mm 		CHK -	NAME Antenna GPS Assembly 1513152-1	
TOLERANCES UNLESS OTHERWISE SPECIFIED: 0 PLC ±0.10 1 PLC ±0.10 2 PLC ±0.05 3 PLC ±0.05 4 PLC ±0.01 ANGLES ±1°		APVD -	RESTRICTED TO -	
MATERIAL - FINISH -		PRODUCT SPEC -	SIZE A3	CAGE CODE 00779
		APPLICATION SPEC -	DRAWING NO. C-1513152	
		WEIGHT -	SCALE 4:1 SHEET 1 OF 4 REV F	
CUSTOMER DRAWING				

4

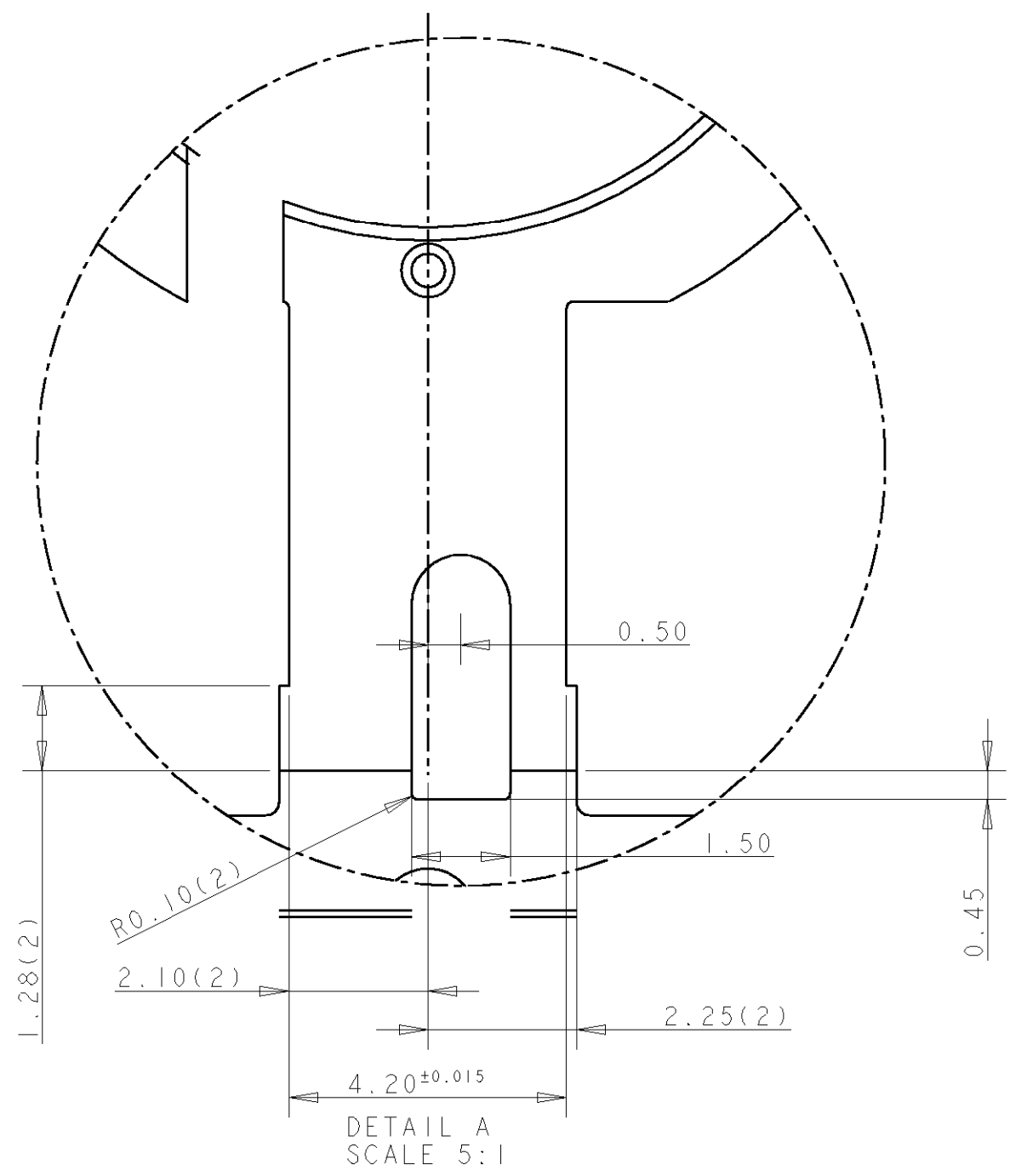
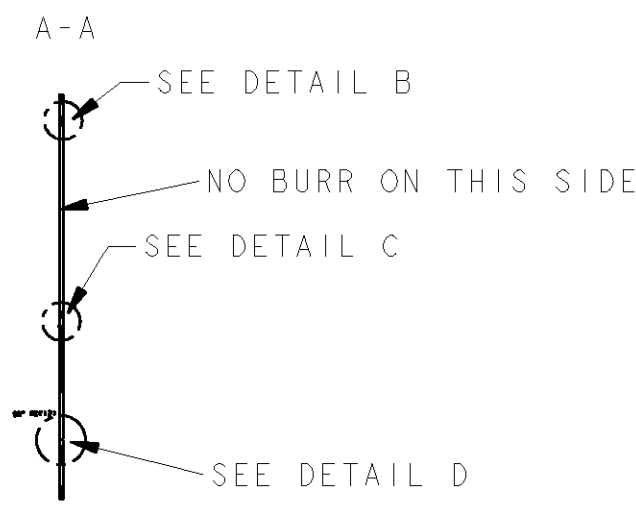
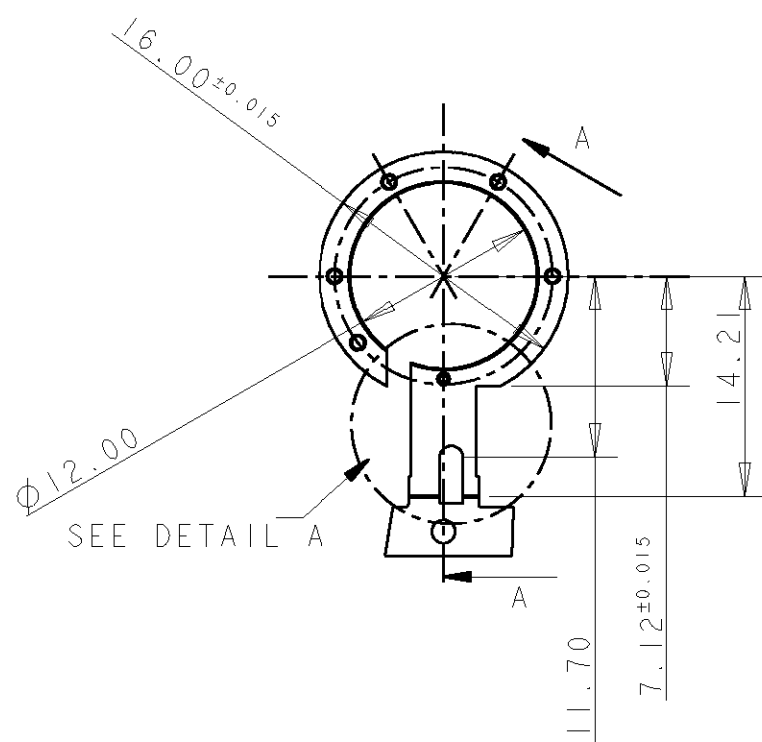
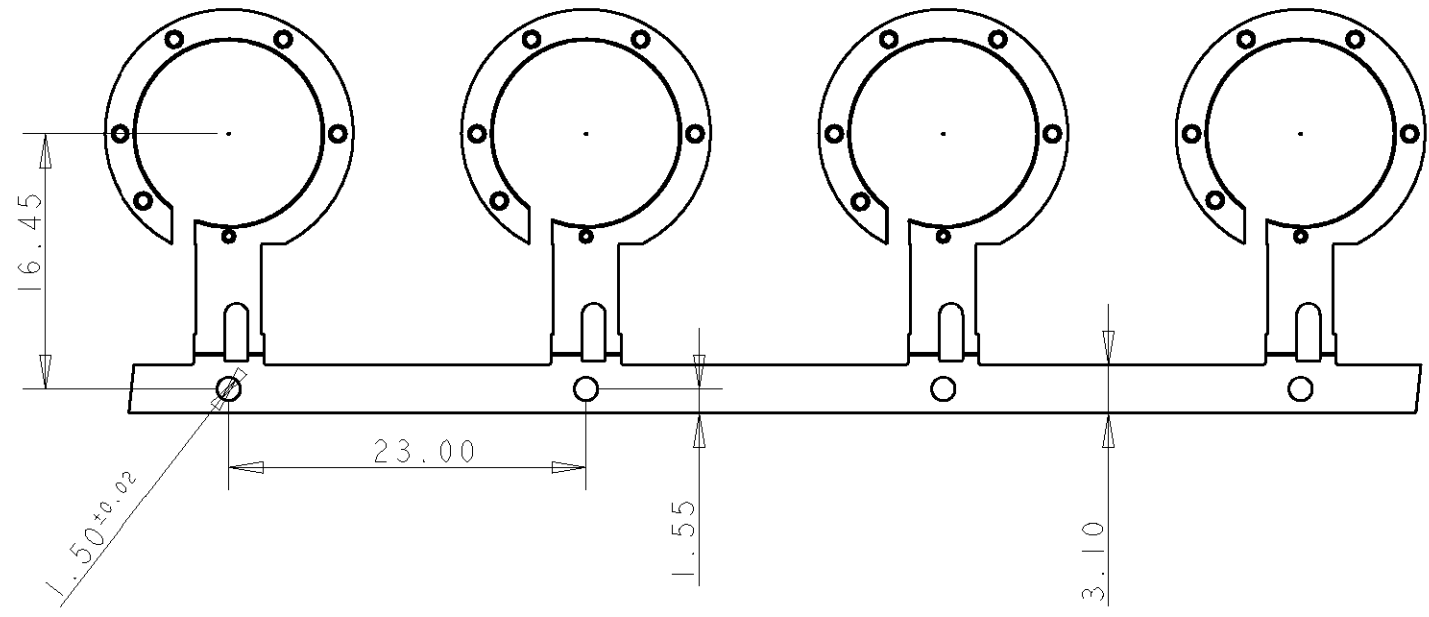
3

2

1

THIS DRAWING IS UNPUBLISHED. RELEASED FOR PUBLICATION 20  
 © COPYRIGHT 20 BY TYCO ELECTRONICS CORPORATION. ALL RIGHTS RESERVED.

LOC	DIST	REVISIONS				
P	LTR	DESCRIPTION	DATE	DWN	APVD	
HQ	00	-	SEE SHEET 1	-	-	



<small>THIS DRAWING IS A CONTROLLED DOCUMENT FOR TYCO ELECTRONICS CORPORATION          IT IS SUBJECT TO CHANGE AND THE CONTROLLING ENGINEERING ORGANIZATION          SHOULD BE CONTACTED FOR THE LATEST REVISION.</small>		DWN DJL	11JAN2005		Tyco Electronics Rochester, New York 14623
DIMENSIONS: mm		CHK -	APVD -		NAME Antenna GPS Metal Ring 1513152-3
		TOLERANCES UNLESS OTHERWISE SPECIFIED: 0 PLC ±0.5 1 PLC ±0.1 2 PLC ±0.05 3 PLC ±0.02 4 PLC ±0.01 ANGLES ±1°		PRODUCT SPEC -	RESTRICTED TO -
MATERIAL -		FINISH -		APPLICATION SPEC -	SIZE A3
		WEIGHT -		CAGE CODE 300779	DRAWING NO C-1513152
CUSTOMER DRAWING				SCALE 4:1	SHEET 3 OF 4
				REV F	