



TEMPERATURE CONTROLLER

0-150°C 16A

ZVT2

X10211

INTRODUCTION

This economical, energy saving, OEM temperature controller, combines linear precision sensing to give powerful output in a compact, single hole fixing enclosure. It outperforms conventional thermostats by switching energy in complete mains cycle packets, eliminating radio and mains borne interference. Proportional self adjustment every 40 seconds gives close temperature control of loads up to 16 A. Absence of contacts with solid state switch ensures long life.

APPLICATIONS

Suitable for temperature control of single phase resistive heaters, ovens, dryers, hot plates and flexible heater mats.

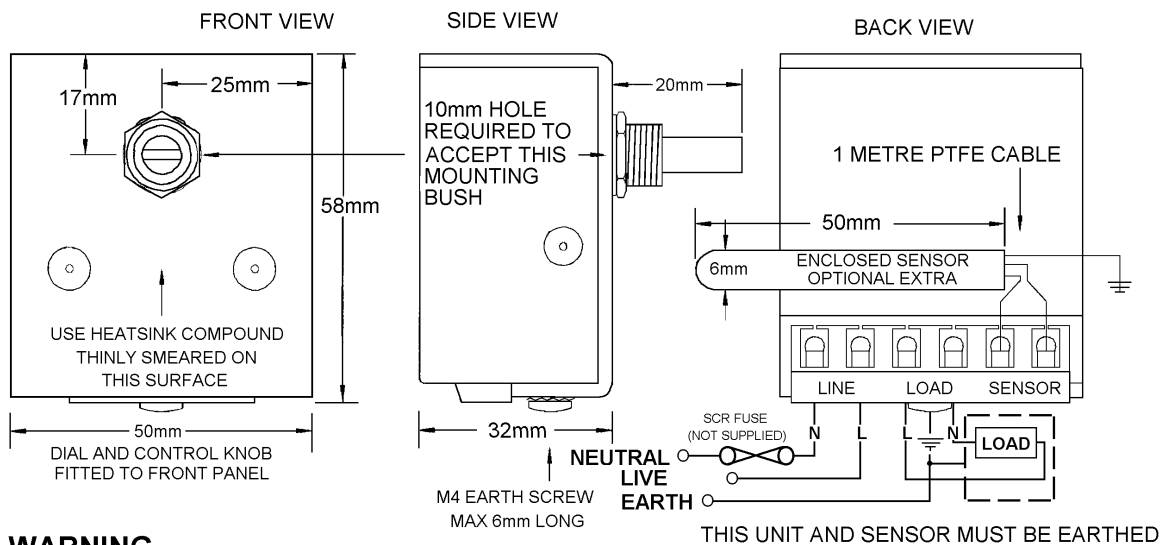
FEATURES

- Accurate proportional control.
- Compact and easy to use.
- Simple installation - with or without heatsink.
- Discrete component giving high reliability.
- Fail safe sensor input.



INSTALLATION

DIMENSIONS AND CONNECTION



WARNING

LIVE TERMINALS - SWITCH OFF SUPPLY BEFORE COMMENCING ANY SERVICE WORK.

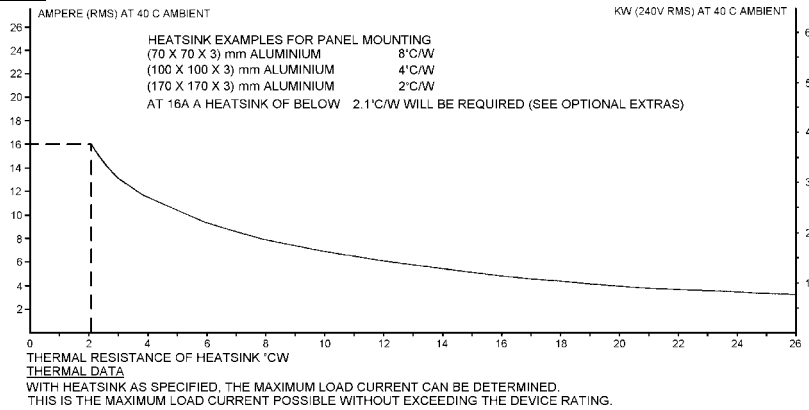
THE SENSOR IS NOT ISOLATED FROM THE MAINS SUPPLY. ADDITIONAL MEASURES SHOULD BE TAKEN TO ENSURE SAFETY IS MAINTAINED UPON INSTALLATION AND COMMISSIONING.

NOTE FOR HEATSINK MOUNTING.

A 10mm HOLE IS REQUIRED TO ACCEPT MOUNTING BUSH.

USE HEATSINK COMPOUND FOR EFFECTIVE THERMAL COUPLING.

COOLING REQUIREMENTS



SPECIFICATIONS

Maximum RMS on-state current	16A	Operation temperature range	0 to +65°C
Peak single cycle surge current	200A	Storage temperature range	-20 to 85°C
I ² t for fusing	128 A ² s	Control stability (typical)	1%
Maximum line voltage +/- 10% @ 50/60Hz (ZVT2)	230Vac	Weight	125g
Maximum power consumption	6W		
Temperature control range	0-150°C	further dimensions	
Calibration accuracy (of full scale)	3%		
Isolation voltage (typical)	2500V rms	Shaft diameter (1/4 inch)	6.3 mm
Proportional band (rear screw adjust, "typical")	5-15%	Shaft projection from bush	13.0 mm
Scale (54 x 46mm, linear & adhesive backed)	0 to +150°C	Bush length	7.0 mm
Maximum c.s.a. cable entry	2.5mm ²	Fixing hole diameter	10.0 mm

FUSING

It is recommended to use semiconductor (fast acting) type fuses or circuit breakers (semiconductor- MCB) for unit protection. On initial 'switch on' some loads may need an increased Factor of Safety (F of S) for unit and/or device protection. See SRA Data sheet for further information.

CE MARKING

This product family carries a "CE" mark. For information see recommendation section and contact our sales desk. (See Declaration of Conformity).

RECOMMENDATION

Other documents available on request, which may be appropriate for your applications:-

CODE	IDENTITY	DESCRIPTION
X10229	RFI	Filtering recommendation - addressing EMC Directive.
X10213	ITA	Interaction, uses for phase angle and for burst fire control.
X10255	SRA	Safety requirements - addressing the Low Voltage Directive (LVD) including :- Thermal data/cooling ; "Live" parts warning & Earth requirements; Fusing recommendations.
AP02/4	COS	UAL Conditions of sale.

NOTE It is recommended that installation and maintenance of this equipment should be done with reference to the current edition of the I.E.E. wiring regulations (BS7671) by suitably qualified/trained personnel. The regulations contain important requirements regarding safety of electrical equipment (For International Standard refers to I.E.C. directive IEC 950).

ORDER CODE:

State part number : ZVT2 (for 230V ac supply). (110V ac units available on request).
 Optional extras. Sensor 'E' type (see X10234 data sheet), Heatsink compound.



UNITED AUTOMATION LIMITED

1 Southport Business Park
 Kew
 Southport, PR8 4HQ
 ENGLAND

Tel: 0044 (0) 1704 – 516500 Main
 Tel: 0044 (0) 1704 – 516516 Sales
 Fax: 0044 (0) 1704 – 516501
 Enquiry@united-automation.com

