

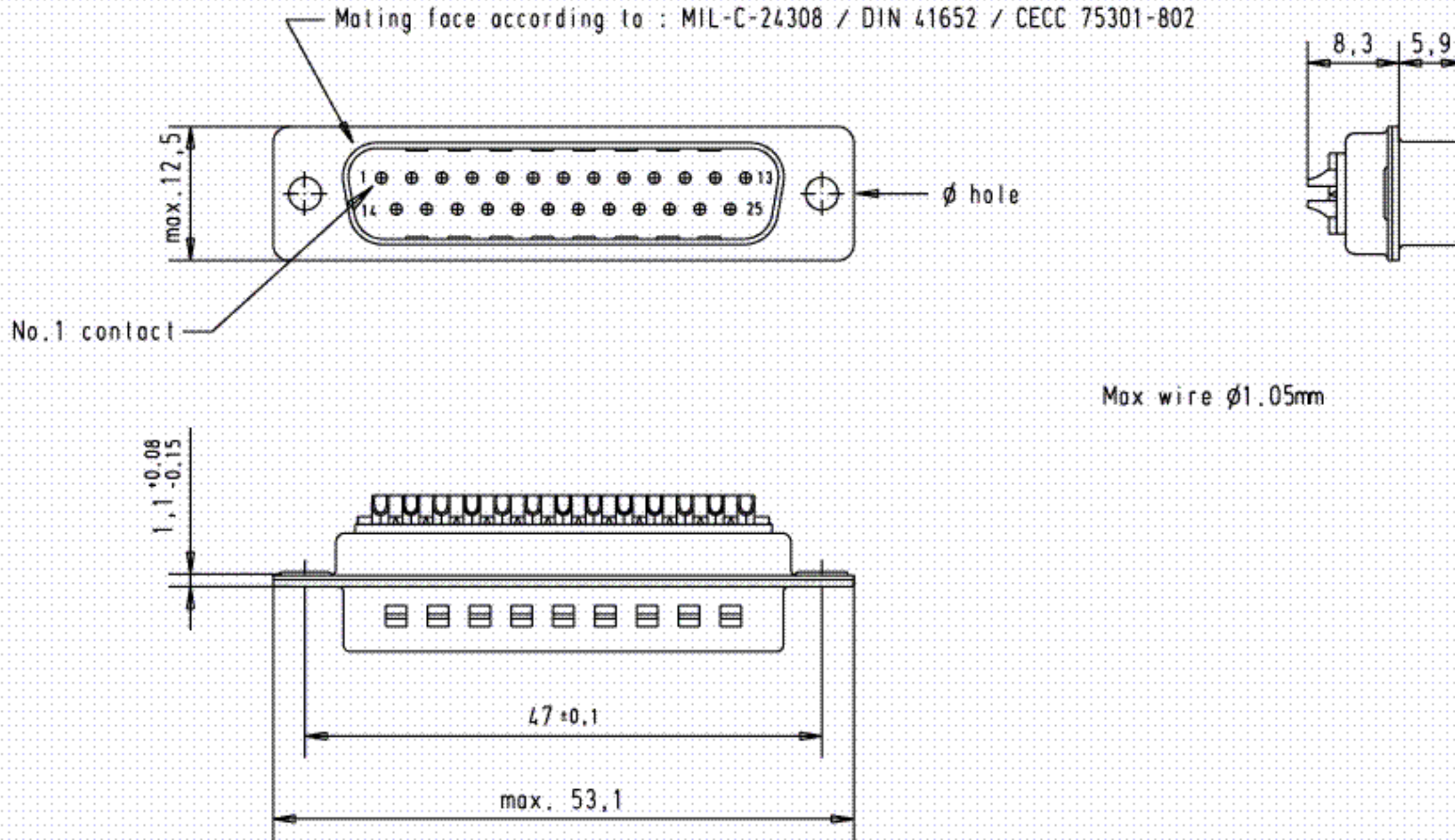
5

4



3

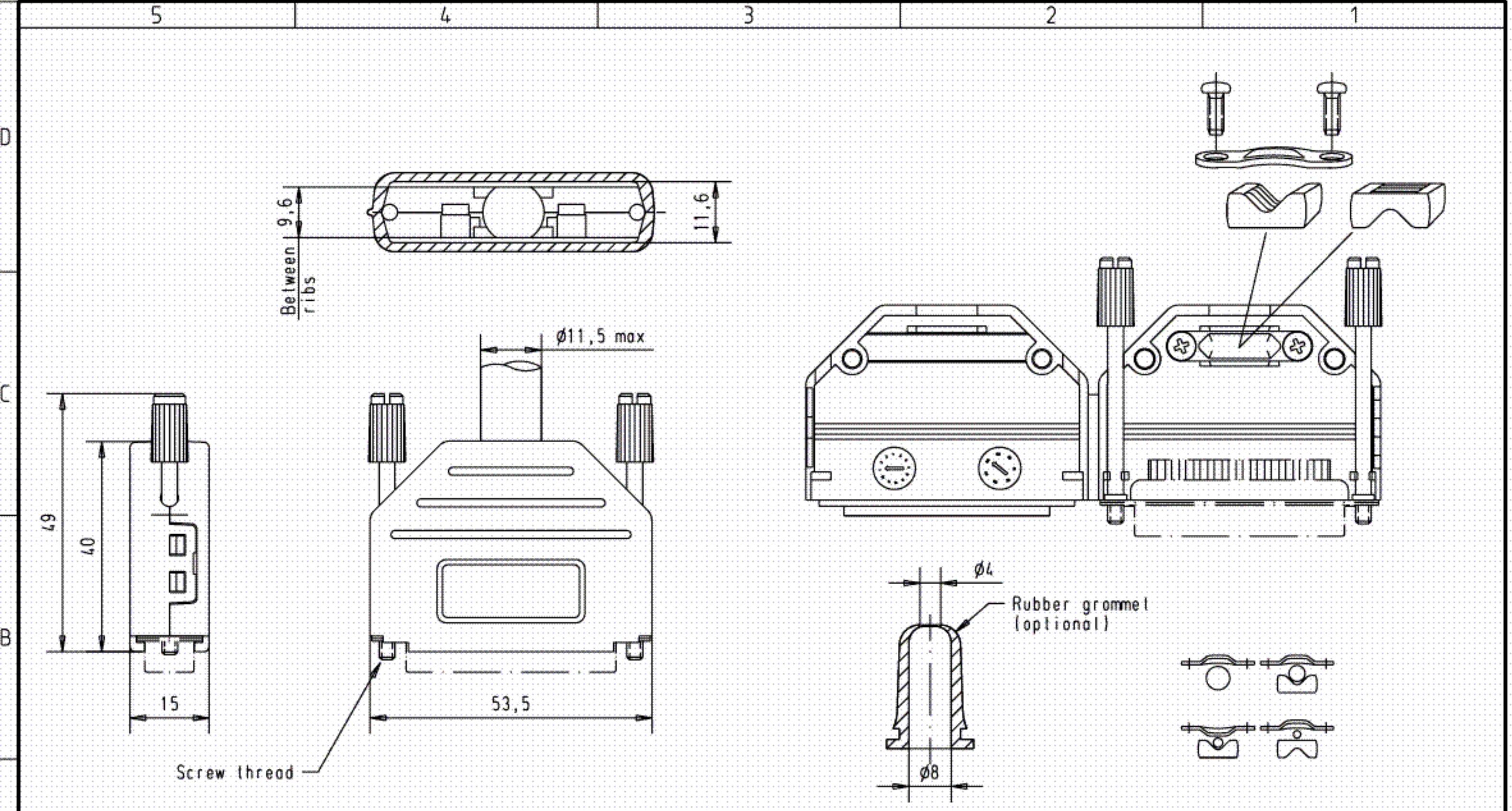
2


1



A

						Detail.	Dat.	Name	 All Dim. in mm Orig. Size DIN A 4	D-Sub, Male, Straight 25 Poles with stamped solder buckets and hole	Maßstab/ Scale 1.5:1
09 67 225 5615.05	3.1 ^{+0.1}	S4			Insp.	24-APR-02	CV				
09 67 225 5615.00	3.1 ^{+0.1}	2			Stand.						
09 67 225 5604.00	3.1 ^{+0.1}	3									Blatt / Page 1 /
Part number	∅ hole	Performance level	Mod.	Dat.	Name	HARTING EURL F-95972 Paris			TB 096722556xx Sub.		



					Detail.	28-MAR-02	CV	 <p>All Dim. in mm Orig. Size DIN A 4</p>	D-Sub, Top entry hood with knurled screws 25 poles Thermoplastic black	Meßstab/ Scale
					Insp.					1:1
					Stand.					
09 67 025 0426	M3		31085	4-SEP-02	CV	HARTING EURL F-95972 Paris			TB 0967025042x	Blatt/ Page
09 67 025 0424	4-40 UNC		29760	28-MAR-02	CV					1
Part number	Screw thread		Mod.	Del.	Name					Sub.