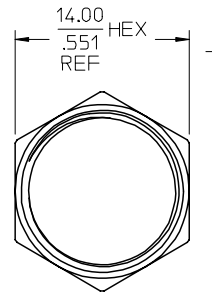
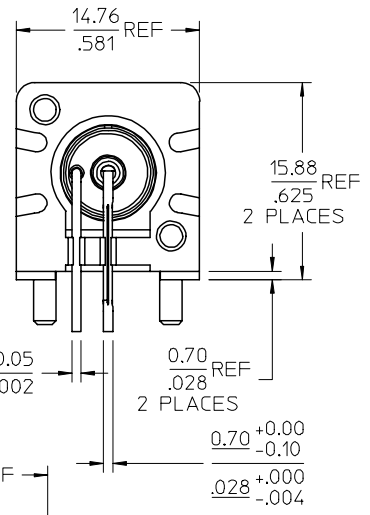
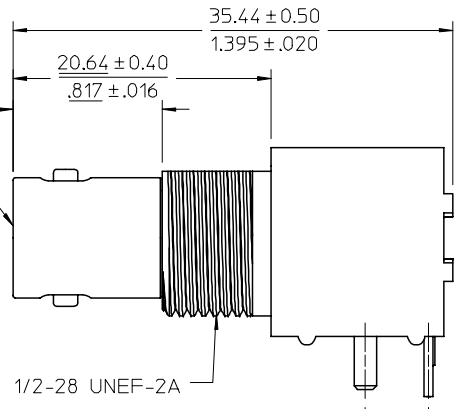
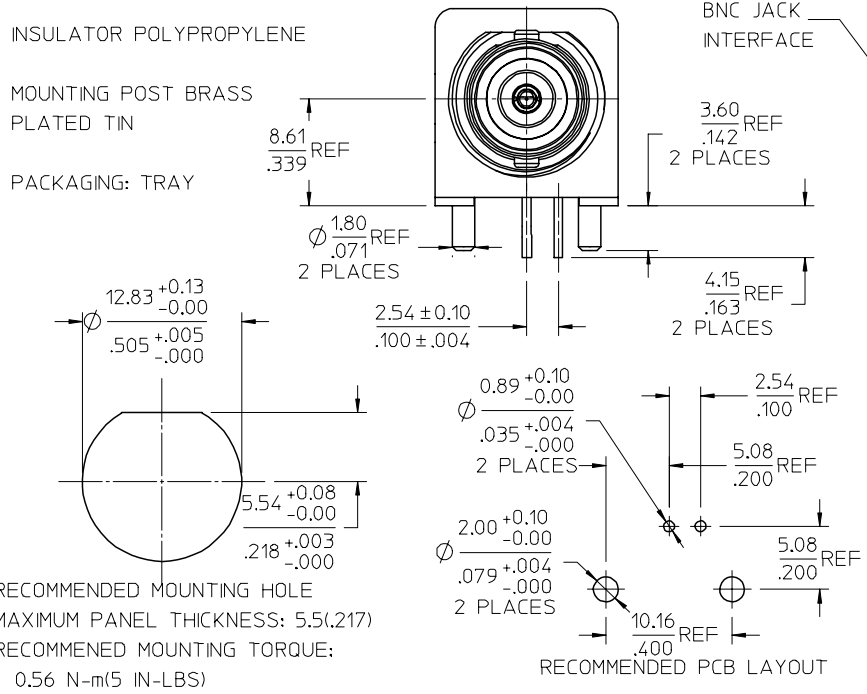
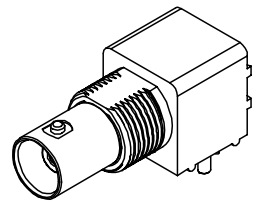
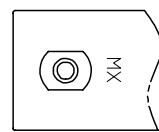
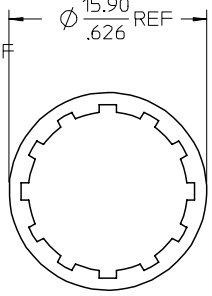


13 12 11 10 9 8 7 6 5 4 3 2 1

MATERIALS AND FINISHES
 SOLDER TAIL STEEL WIRE
 PLATED TIN
 BODY ZINC ALLOY
 PLATED NICKEL
 LOCKWASHER PHOSPHOR BRONZE
 PLATED NICKEL
 HOUSING PBT
 COLOR BLACK
 JAM NUT BRASS
 PLATED NICKEL
 CENTER CONTACT PHOSPHOR BRONZE
 PLATED GOLD/TIN
 INSULATOR POLYPROPYLENE
 MOUNTING POST BRASS
 PLATED TIN
 PACKAGING: TRAY



JAM NUT



LOCKWASHER

PART # 73138-5003

PS-73598-0077	ELECTRO/MECH PERFORM.
SPECIFICATION	DESCRIPTION

CHG: REDREW IN SD
 MATERIAL FOR
 HOUSING WAS VALOX
 MATERIAL FOR
 SOLDER TAIL WAS
 BRASS
 FC NO: URF2008-0039
 DRWN: FLAHERTY 2007/07/23
 CHKD: SHAH 2007/07/23
 APPR: JIMENER 2007/07/23

QUALITY SYMBOLS

GENERAL TOLERANCES (UNLESS SPECIFIED)	
4 PLACES ±	±
3 PLACES ±	±
2 PLACES ±	±
1 PLACE ±	±
ANGULAR ± 2 °	
DRAFT WHERE APPLICABLE MUST REMAIN WITHIN DIMENSIONS	

DIMENSION STYLE	
MM/IN	
DRAWN BY	DATE
LILY	1992/01/23
CHECKED BY	DATE
DENG	1992/01/23
APPROVED BY	DATE
MATERIAL NO.	
731385003	

SCALE	DESIGN UNITS	THIRD ANGLE PROJECTION
	METRIC	
BNC JACK, R/A PCB 50 OHMS, EWR-2081 BNC-J/BLK/PCB		
MOLEX INCORPORATED		
DOCUMENT NO.	SHEET NO.	
SD-73138-5003	1 OF 1	
THIS DRAWING CONTAINS INFORMATION THAT IS PROPRIETARY TO MOLEX INCORPORATED AND SHOULD NOT BE USED WITHOUT WRITTEN PERMISSION		

12 11 10 9 8 7 6 5 4 3 2 1