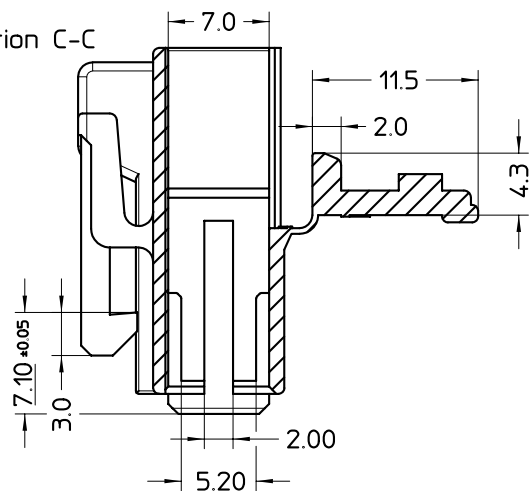
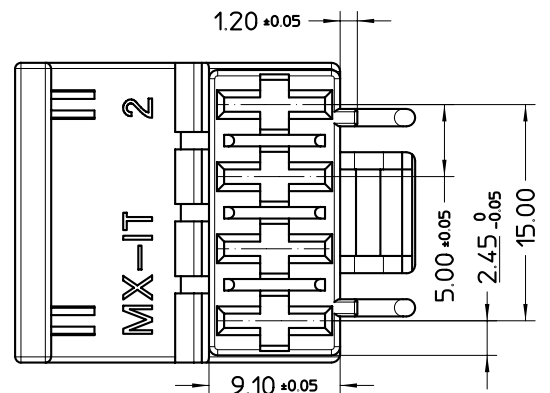
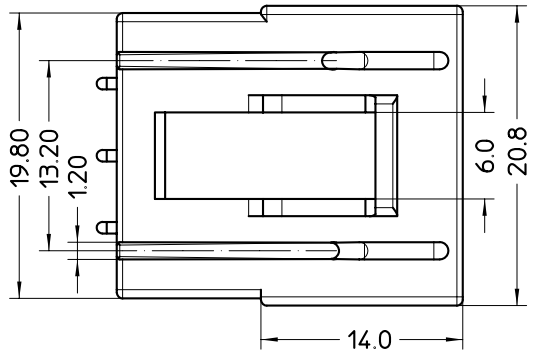
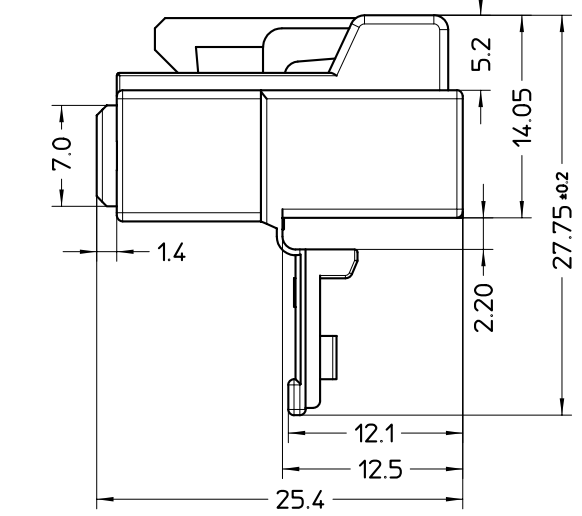
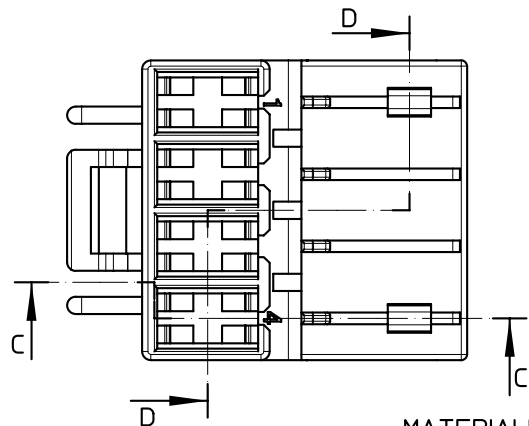
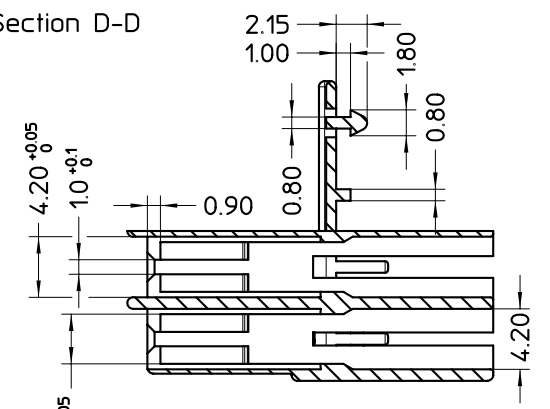


Section C-C

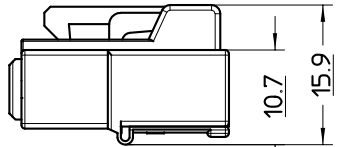


Section D-D



MATERIALE: NYLON 6.6 V2 (colori come tab.)  
 MATERIAL: NYLON 6.6 V2 (colors see table)  
 IMBALLO: scatola con sacchetto di nylon.  
 PACKAGING: Box with plastic bag.

SPQ: 4000 pz.



P/N	COLORE / COLOR
94540-7004	naturale / natural
94540-7014	nero / black

Descr. Std: FEM HOUSING W/LATCH+SEC LOCK 4 CKT

EC NO: Z2001-0099 DRWN: FGOTTARD 2001/05/11 CHKD: MTESTAGU 2001/05/11 APPR: GZUIN 2001/05/15	QUALITY SYMBOLS ▽ = 0 ∠ = 0	GENERAL TOLERANCES (UNLESS SPECIFIED)		SCALE 3:1	DESIGN UNITS METRIC	FIRST ANGLE PROJECTION	REVISE ON CAD ONLY	
			mm	INCH	DIMENSION STYLE MM ONLY		TITLE	
		4 PLACES	± ---	± ---	DRAWN BY FGOTTARD	DATE 99-10-15	HOUSING 4 VIE C/AGGANCI HOUSING W/LATCH 4 CKT	
		3 PLACES	± ---	± ---	CHECKED BY MTESTAGU	DATE 99-10-15	MOLEX INCORPORATED	
2 PLACES	± 0.10	± ---	ANGULAR ± 2 °		DRAFT WHERE APPLICABLE	MATERIAL NO. SEE CHART	DOCUMENT NO. SD-94540-003	
1 PLACE	± 0.2	± ---	MUST REMAIN WITHIN DIMENSIONS		APPROVED BY GZUIN	DATE 99-10-15	SHEET NO. 1 OF 1	
REV A1				THIS DRAWING CONTAINS INFORMATION THAT IS PROPRIETARY TO MOLEX INCORPORATED AND SHOULD NOT BE USED WITHOUT WRITTEN PERMISSION				A3