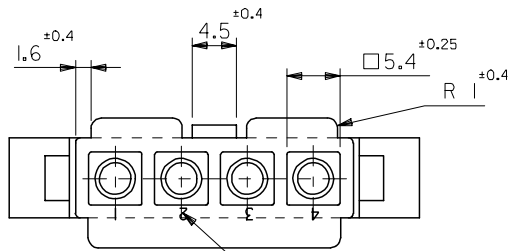
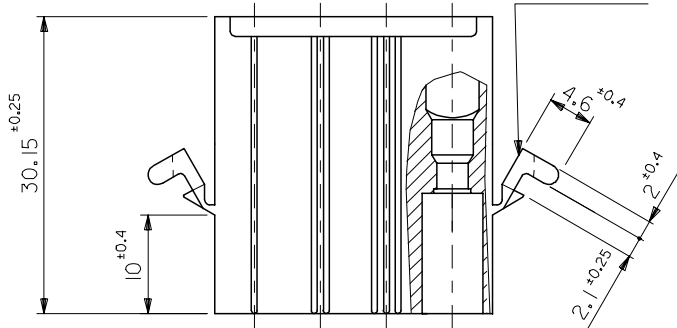


10 9 8 7 6 5 4 3 2 1



サーキット番号  
CIRCUIT NO.

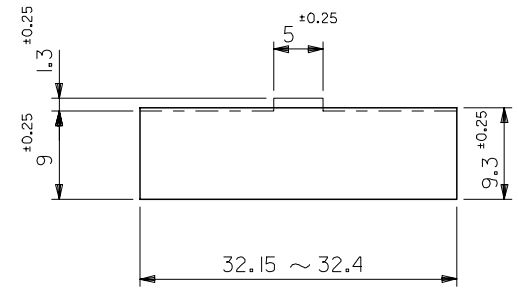
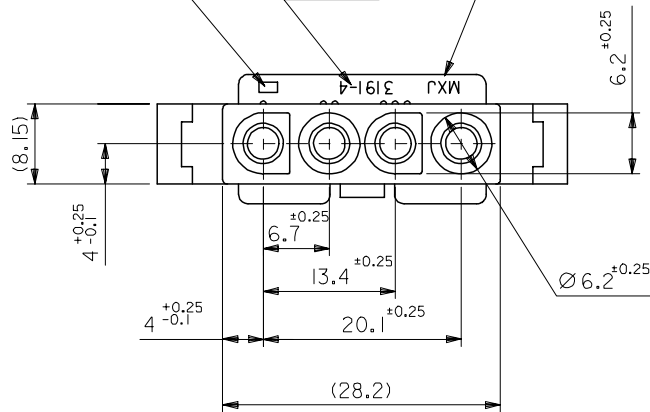
パネル取付耳  
MTG. EARS



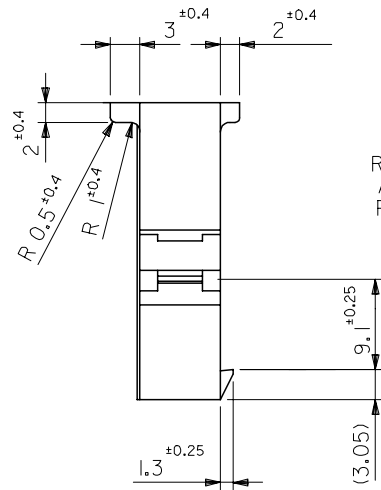
キャビティー番号  
CAVITY NO.

トレードマーク  
TRADE MARK

製品番号  
ENG. NO.



パネル取付穴推奨寸法 (厚さ2.0最大)  
ハウジングの装着はパネル穴打抜き方向より行うこと  
RECOMMENDED PANEL HOLE DIMENSION (THK. 2.0 MAX.)  
ATTACH THE HOUSING FROM THE DIRECTION OF  
PANEL HOLE PUNCHED OUT.



注記  
NOTE  
( ) 内寸法は参考値  
DIMENSIONS IN ( ) ARE REFERENCE

39-03-6041	3191-04P-201	NYLON66	94V-0
39-03-6040	3191-04P	NYLON66	94V-2
EDP. NO.	ENG. NO.	MATERIAL	UL

REVISED EC NO: J2007-2489 DRWRT: SUOKA 2007/03/06 CHKD: THARUYAMA 2007/03/06 APPR: NUKITA 2007/03/06	GENERAL TOLERANCES (UNLESS SPECIFIED)		DIMENSION STYLE MM ONLY	SCALE 2:1	DESIGN UNITS METRIC	THIRD ANGLE PROJECTION
	10 UNDER	± ---	DRAWN BY H. IJIMA	DATE '96/06/24	TITLE 4 CKT. PLUG HS'G. (.093 DIA. TERMINAL)	
	10 OVER 30 UNDER	± ---	CHECKED BY M. FUKUSHIMA	DATE '96/06/24	MOLEX INCORPORATED	
	30 OVER	± ---	APPROVED BY M. ENOMOTO	DATE '96/06/24	DOCUMENT NO. SD-3191-005	SHEET NO. 1 OF 1
	ANGULAR	± --- °	MATERIAL NO.	SEE CHART		
DRAFT WHERE APPLICABLE MUST REMAIN WITHIN DIMENSIONS		SIZE A3	THIS DRAWING CONTAINS INFORMATION THAT IS PROPRIETARY TO MOLEX INCORPORATED AND SHOULD NOT BE USED WITHOUT WRITTEN PERMISSION			