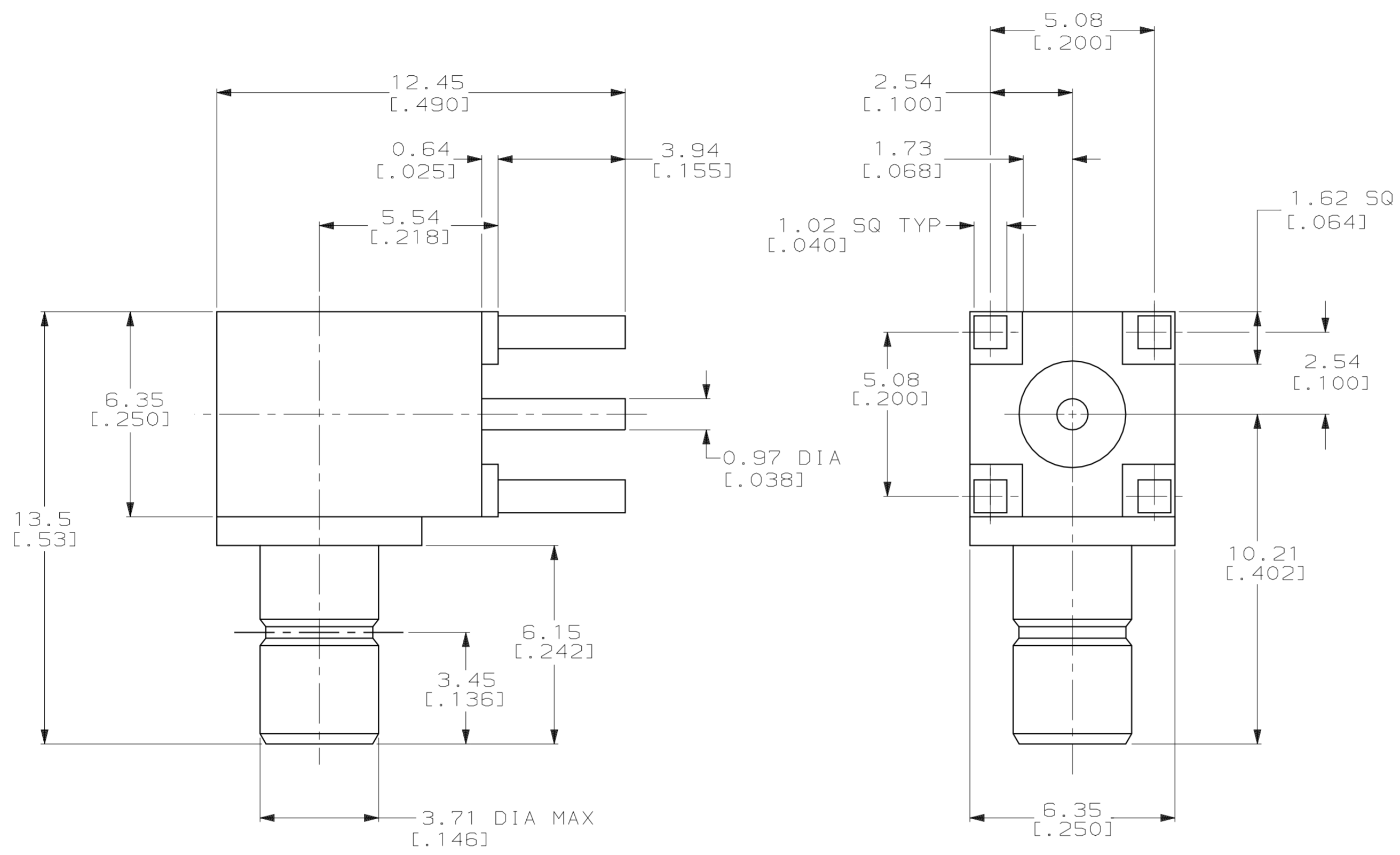


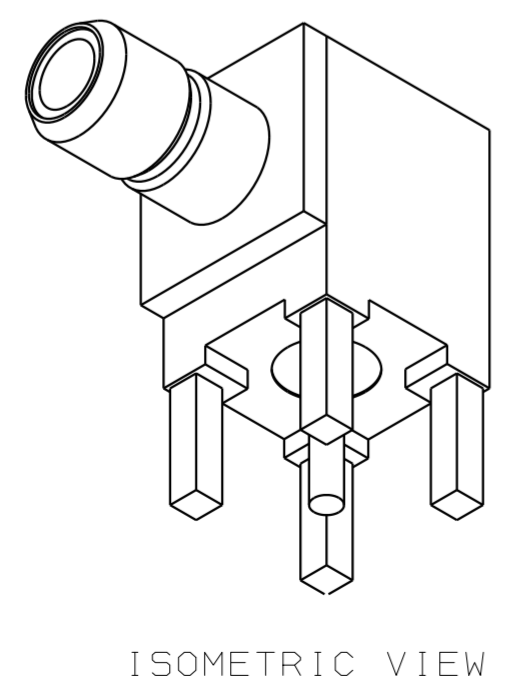
THIS DRAWING IS UNPUBLISHED. RELEASED FOR PUBLICATION, 19 .
 © COPYRIGHT 19 BY AMP INCORPORATED. ALL INTERNATIONAL RIGHTS RESERVED.

LOC	DIST	P	F	REVISIONS				
AJ	16			ZONE	LTR	DESCRIPTION	DATE	APPD
				D		REV PER EC 0514-0453-04	17OCT05	GM



- 1 MATERIALS:
 BODY (LEG): ZINC ALLOY (ZAMAK 3)
 BODY (FRONT): BRASS PER QQ-B-626
 CENTER CONTACT: BRASS PER QQ-B-626
 INSULATORS: TEFLON PER ASTM-D-1710
- 2 MATERIALS:
 BODY (LEG): BRASS PER MIL-C-21768
 BODY (FRONT): BRASS PER QQ-B-626
 CENTER CONTACT: BRASS PER QQ-B-626
 INSULATORS: TEFLON PER ASTM-D-1710
- 3 FINISH:
 CENTER CONTACT: GOLD PL PER MIL-G-45204
 BODY (LEG): NICKEL PL PER 112-25-1
 BODY (FRONT): GOLD PL PER 112-162-5
- 4 FINISH:
 CENTER CONTACT: GOLD PL PER MIL-G-45204
 BODY (LEG): GOLD PL PER 112-162-5
 BODY (FRONT): GOLD PL PER 112-162-5
- 5 FINISH:
 CENTER CONTACT: GOLD PL PER MIL-G-45204
 BODY (LEG): NICKEL PL PER 112-25-1
 BODY (FRONT): NICKEL PL PER 112-25-1
- 6. INTERFACE PER MIL-C-39012
- 7 FINISH:
 CENTER CONTACT: GOLD PL PER MIL-G-45204
 BODY (LEG): TIN-LEAD PL PER ASTM-B-545
 BODY (FRONT): GOLD PL PER 112-162-5
- 8 FINISH:
 CENTER CONTACT: GOLD PL PER MIL-G-45204
 BODY (LEG): TIN-LEAD PL PER ASTM-B-545
 BODY (FRONT): NICKEL PL PER 112-25-1

SUPERSEDED BY 414337-1	2 8	414026-6
SUPERSEDED BY 414026-2	2 7	414026-5
OBSOLETE	2 3	414026-4
	2 5	414026-3
	2 4	414026-2
	1 3	414026-1
NOTES	PART NUMBER	



DO NOT SCALE PRINT. UNLESS SPECIFIED DIMENSIONS IN mm [INCHES] TOLERANCES ON : 2 PLC DEC ±.25 [.010] 3 PLC DEC ±.13 [.005] ANGLES ± -		DR 11-26-90 B. WERNER		AMP Incorporated Harrisburg, PA 17105-3608	
MATERIAL		CHK 2-4-91 J. McLEOD			
FINISH		APPD 2-4-91 J. McLEOD		NAME	
		APPD 2-4-91 B. WERNER		SMB, RIGHT ANGLE, JACK RECEPTACLE, PCB MOUNTING	
PRODUCT SPEC		APPLICATION SPEC		SIZE	CAGE CODE
-		-		C	00779
WEIGHT		SCALE		DRAWING NO	
-		8:1		414026	
		SHEET		1 OF 1	