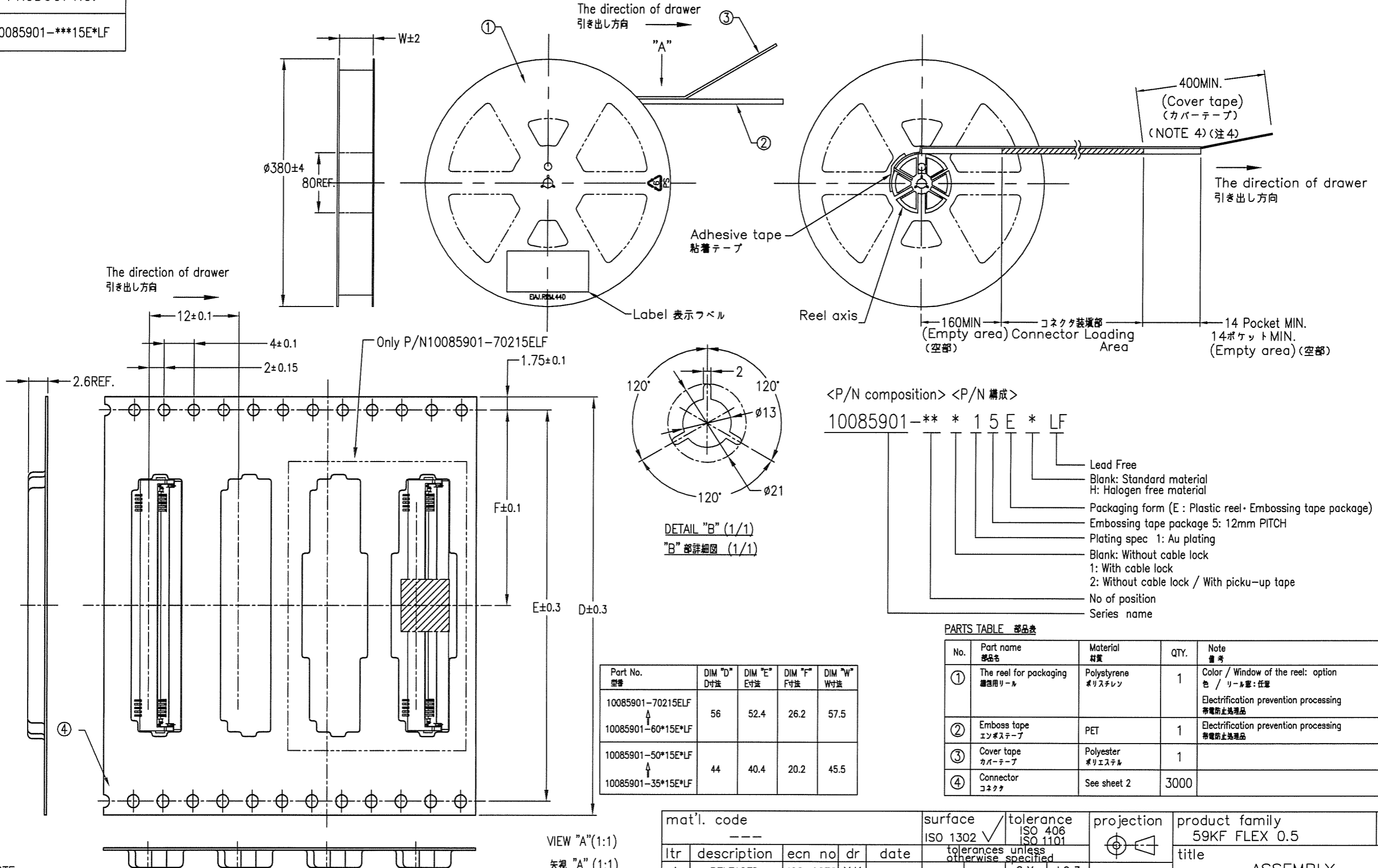


PRODUCT NO.
10085901-***15E*LF



<P/N composition> <P/N 構成>
10085901-** * 1 5 E * LF

- Lead Free
- Blank: Standard material
- H: Halogen free material
- Packaging form (E: Plastic reel· Embossing tape package)
- Embossing tape package 5: 12mm PITCH
- Plating spec 1: Au plating
- Blank: Without cable lock
- 1: With cable lock
- 2: Without cable lock / With pick-up tape
- No of position
- Series name

PARTS TABLE 部品表

No.	Part name 部品名	Material 材質	QTY.	Note 備考
①	The reel for packaging 梱包用リール	Polystyrene ポリスチレン	1	Color / Window of the reel: option 色 / リール窓: 任意 Electrification prevention processing 帯電防止処理品
②	Emboss tape エンボステープ	PET	1	Electrification prevention processing 帯電防止処理品
③	Cover tape カバーテープ	Polyester ポリエステル	1	
④	Connector コネクタ	See sheet 2	3000	

Part No. 型番	DIM "D" D寸法	DIM "E" E寸法	DIM "F" F寸法	DIM "W" W寸法
10085901-70215ELF ↑ 10085901-60*15E*LF	56	52.4	26.2	57.5
10085901-50*15E*LF ↑ 10085901-35*15E*LF	44	40.4	20.2	45.5

mat'l. code		surface ISO 1302 ✓		tolerance ISO 406 ISO 1101		projection MM		product family 59KF FLEX 0.5		CODE JP	
title		tolerances unless otherwise specified		linear		scale N/A		ASSEMBLY		sheet 1 of 6 size	
A RELEASED		J08-0278		Y.K 2008-6-27		0.X ±0.3		0.5mm PITCH CONNECTOR FOR FPC		VHC Series	
B REVISED		J09-0402		Y.K 2009-12-2		0.XX ±0.3		10085901		A3	
C REVISED		J10-0079		Y.K 2010-4-5		0.XXX ±0.3		Product Customer Drawing		Rev. C	
sheet index		revision		C C C C C C		dr Y.KAMEDA 2010-4-5		type		Rev.	
		sheet		1 2 3 4 5 6		enr Y.KAMEDA 2010-4-5				C	
						chr T. Shibata 2010-4-5					
						appd M. Cam 4/5/10					

NOTE

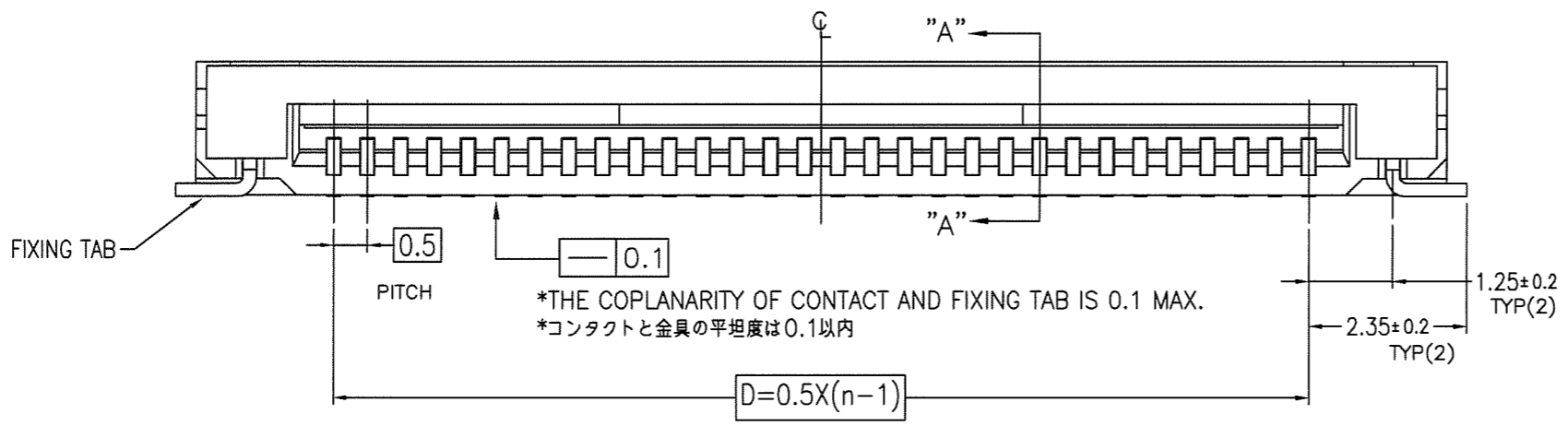
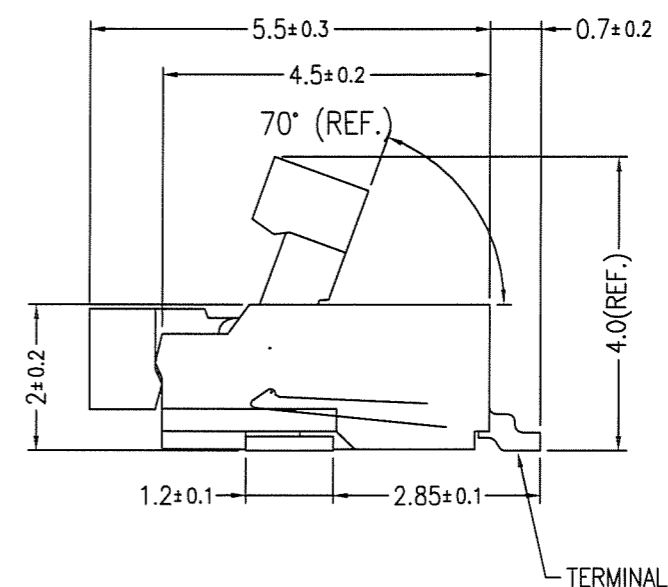
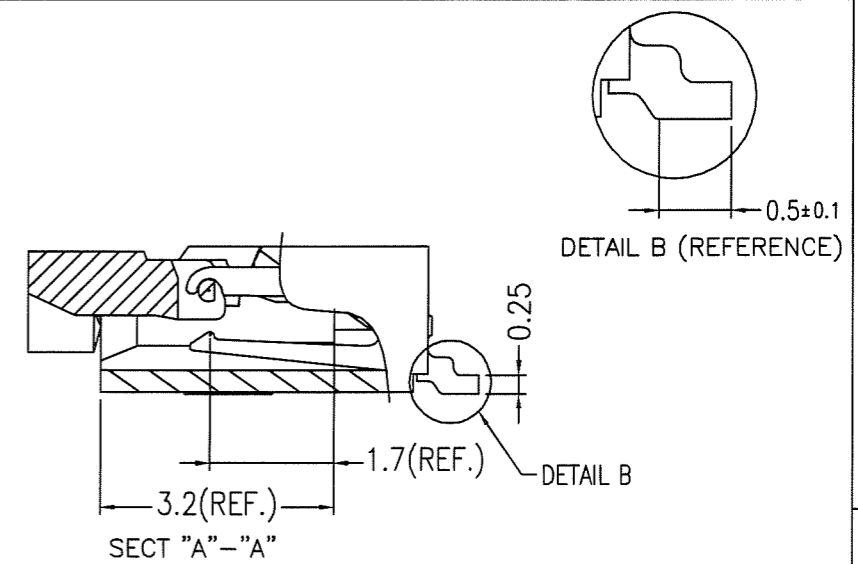
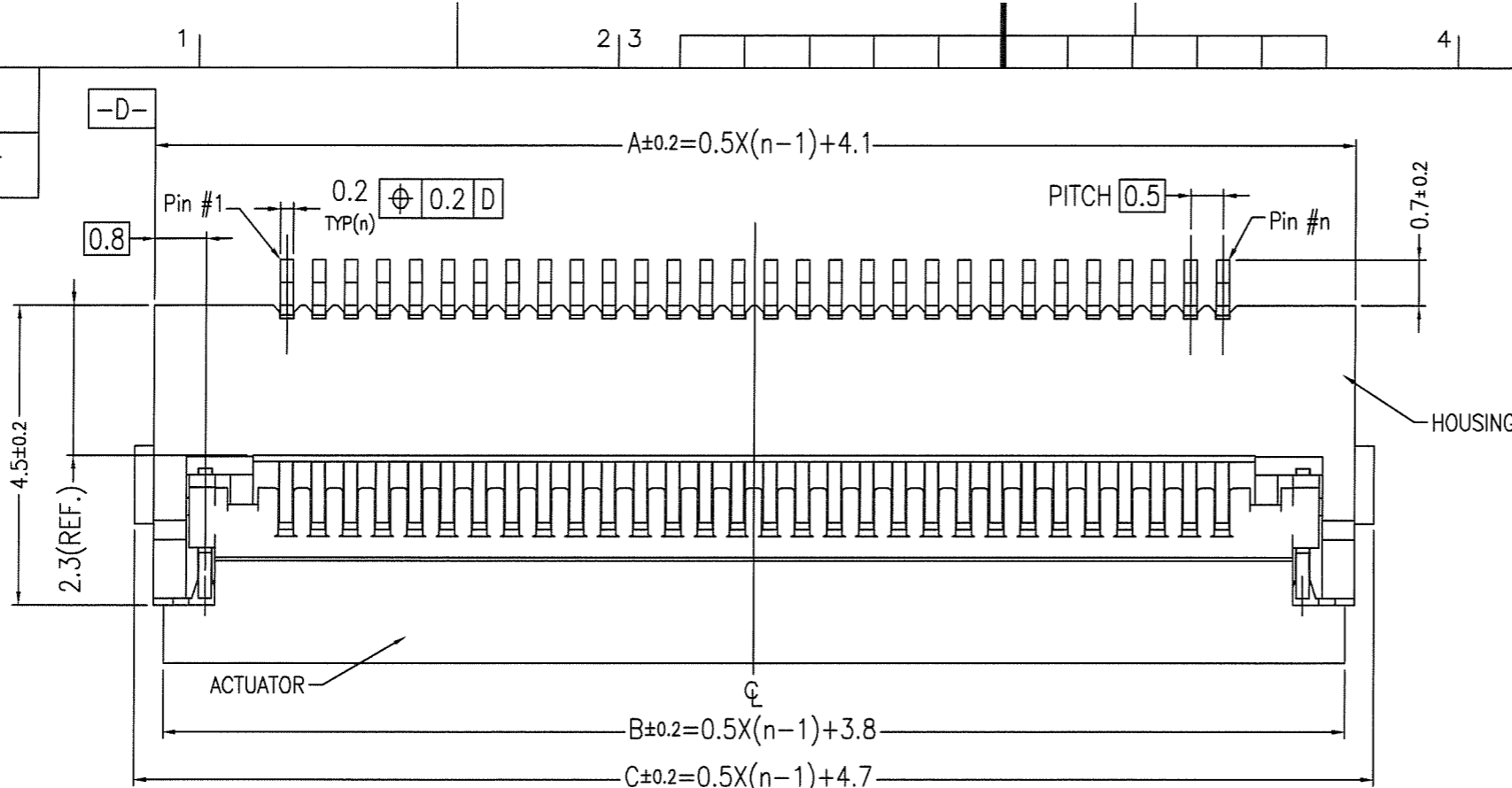
- This article carries out the emboss tape package of the P/N10085901 series connector.
- The shape and dimension of this article are based on JIS C 0806.
(Taping of electronic parts (Surface mounted device))
- The color and window of a plastic reel are optional.

注記

- 本品は P/N10085901シリーズをエンボステープ梱包したものである。
- 本品の形状及び寸法規定は JIS C 0806 (電子部品のテーピング (表面実装部品)) に準拠する。
- 本品の色及びリール窓は任意とする。

PRODUCT NO.

10085901-***1*LF



P/N	ACTUATOR COLOR	REMARK
-***1LF	NATURAL (BROWN)	STANDARD
-***1HLF	BLACK	HALOGEN FREE (less than 900ppm)

△	P/N	A	B	C	D	E
△	10085901-601HLF	33.6	33.3	34.2	29.5	35.3
△	10085901-601LF	33.6	33.3	34.2	29.5	35.3

NOTE

1.MATERIAL
 1)HOUSING:THERMOPLASTIC RESIN,UL94V-0, NATURAL
 2)ACTUATOR:THERMOPLASTIC RESIN,UL94V-0, BROWN
 3)CONTACT:COPPER ALLOY (t=0.20)
 4)FIXING TAB: COPPER ALLOY (t=0.20)

2.FINISH
 1)CONTACT: ALL OVER Ni,Au FLASH.
 2)FIXING TAB: ALL OVER Ni, Sn PLATING 1.5~3.5μm
 3.CO-PLANARITY: 0.1 MAX.

5.RoHS
 THIS PRODUCT MEETS EUROPEAN UNION DIRECTIVES AND OTHER COUNTRY REGULATIONS AS DESCRIBED IN GS-22-008.

注記

1.材料
 1)ハウジング:耐熱性樹脂,UL94V-0, ナチュラル
 2)アクチュエータ:耐熱性樹脂,UL94V-0, ナチュラル(茶色)
 3)端子:銅合金 (t=0.20)
 4)固定金具:銅合金 (t=0.20)

2.めっき
 1)端子: Ni下地付き, Auフラッシュ
 2)固定金具: Ni下地付き, 鍍めつき 1.5~3.5μm
 3.コプラナリティ: 0.1 MAX.

5.RoHS
 本製品は、GS-22-008に記載されたヨーロッパ適合指令と他国の規制に適合しています。

mat'l. code		surface		tolerance		projection		product family		CODE	
---		ISO 1302		ISO 406		MM		59KF FLEX 0.5		JP	
tolerances unless otherwise specified		linear		0.X ±0.2		scale 10:1		title		ASSEMBLY	
angles		0.XX ±0.2		0'±2'				0.5mm PITCH CONNECTOR FOR FPC		VHC Series	
dr		Y.KAMEDA		2010-4-5		FCJ		dwg no		sheet 2 of 6 size	
enr		Y.KAMEDA		2010-4-5				10085901		A3	
chr		T.Kitahara		240-4-5				type		Product Customer Drawing	
appd		M.Kitahara		Apr 10						Rev. C	
sheet index		revision sheet									

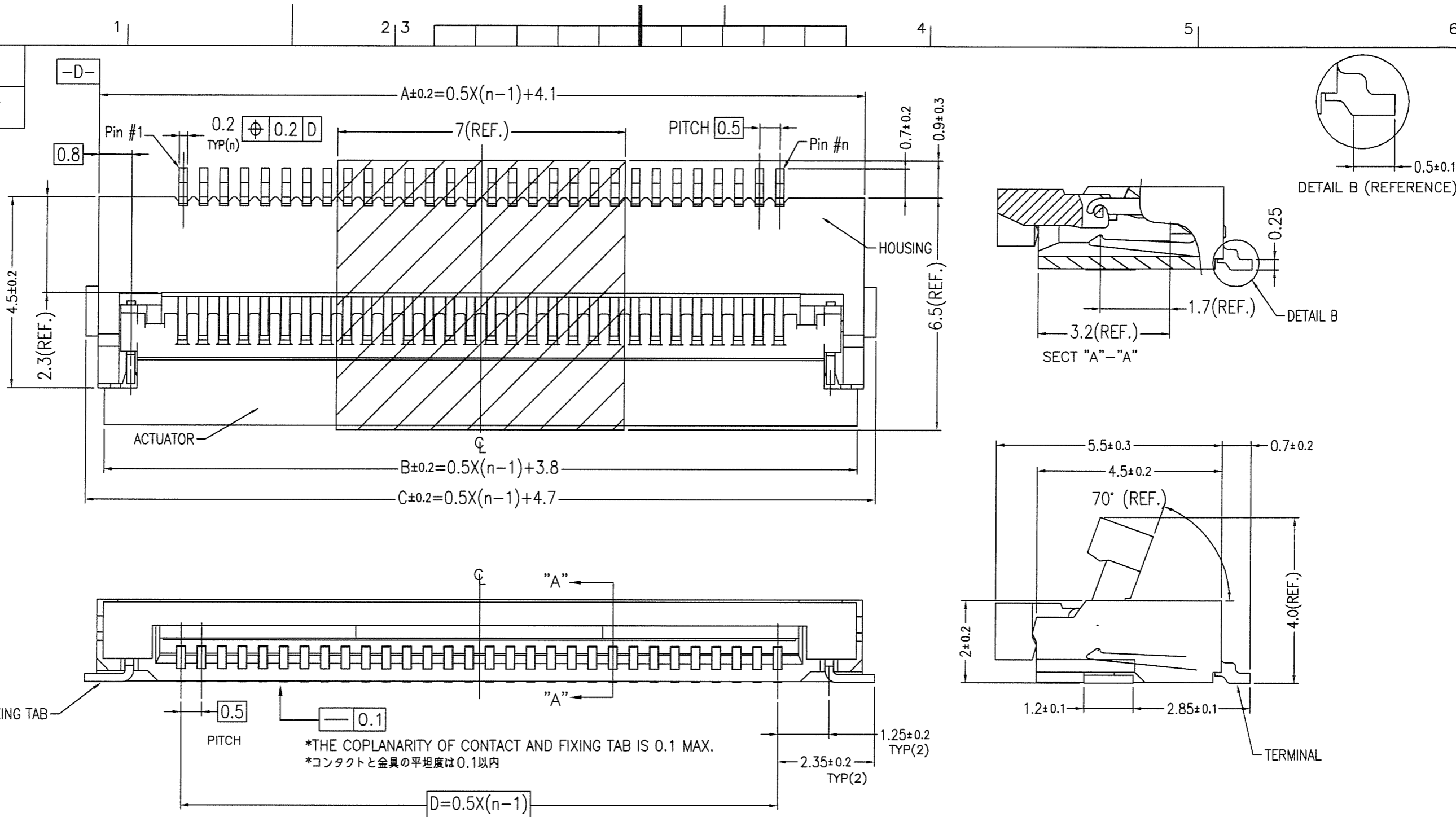


FCIconnect.com

Copyright FCI.

PRODUCT NO.

10085901-7021LF



NOTE

- 1.MATERIAL
 1)HOUSING:THERMOPLASTIC RESIN,UL94V-0, NATURAL
 2)ACTUATOR:THERMOPLASTIC RESIN,UL94V-0, BROWN
 3)CONTACT:COPPER ALLOY (t=0.20)
 4)FIXING TAB: COPPER ALLOY (t=0.20)
 5)COVER TAPE: POLYIMIDE TAPE (t=0.075)
 2.FINISH
 1)CONTACT: ALL OVER Ni,Au FLASH.
 2)FIXING TAB: ALL OVER Ni, Sn PLATING 1.5~3.5μm
 3.CO-PLANARITY: 0.1 MAX.
 5.RoHS
 THIS PRODUCT MEETS EUROPEAN UNION DIRECTIVES AND OTHER COUNTRY REGULATIONS AS DESCRIBED IN GS-22-008.

注記

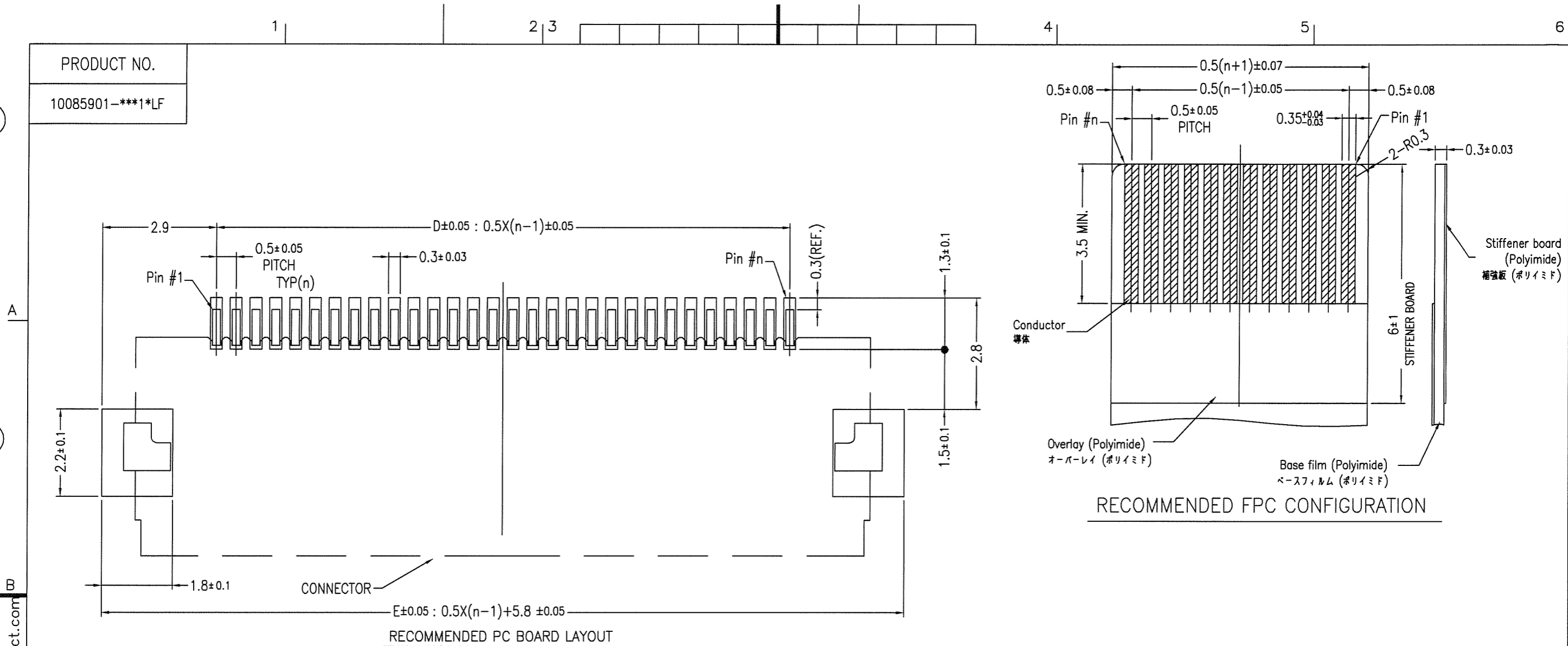
- 1.材料
 1)ハウジング:耐熱性樹脂,UL94V-0, ナチュラル
 2)アクチュエータ:耐熱性樹脂,UL94V-0, ナチュラル (茶色)
 3)端子: 銅合金 (t=0.20)
 4)固定金具: 銅合金 (t=0.20)
 5)接着テープ: ポリイミドテープ (t=0.075)
 2.めっき
 1)端子: Ni下地付き, Auフラッシュ
 2)固定金具: Ni下地付き, 銀めっき 1.5~3.5μm
 3.コプラナリティ: 0.1 MAX.
 5.RoHS
 本製品は、GS-22-008に記載されたヨーロッパ指令と他国の規制に適合しています。

10085901-7021LF	38.6	38.3	39.2	34.5	40.3
P/N	A	B	C	D	E

mat'l. code		surface		tolerance		projection		product family		CODE	
---		ISO 1302 ✓		ISO 406 ISO 1101		MM		59KF FLEX 0.5		JP	
tolerances unless otherwise specified		angles		linear		scale 10:1		title		ASSEMBLY	
A	RELEASED	J08-0278	Y.K	2008-6-27	0°	0.X	±0.2	0.5mm PITCH CONNECTOR FOR FPC VHC Series			
B	REVISED	J09-0402	Y.K	2009-12-2	0°	0.XX	±0.2	dwg no			
C	REVISED	J10-0079	Y.K	2010-4-5	0°±2'	0.XXX	±0.2	sheet 3 of 6 size			
sheet index		revision sheet		dr		Y.KAMEDA		10085901		A3	
				enrg		Y.KAMEDA		Product Customer Drawing		Rev. C	
				chr		Z. Sakuma 2010-4-5					
				appd		MOM Apr 5/10					

PRODUCT NO.

10085901-***1*LF



NOTE

1. THICKNESS OF A METAL MASK: 0.1mm
2. FPC / FFC
ADHESIVE METHOD OF SUPPORTING TAPE SHALL BE HEAT CRIMPING METHOD AND THERMOSETTING ADHESIVE MATERIAL SHALL BE USED.
3. OTHER SPECIFICATIONS
PRODUCT SPECIFICATION : GS-12-541
APPLICATION SPECIFICATION : GS-20-105
PACKAGING SPECIFICATION : GS-14-1264

注記

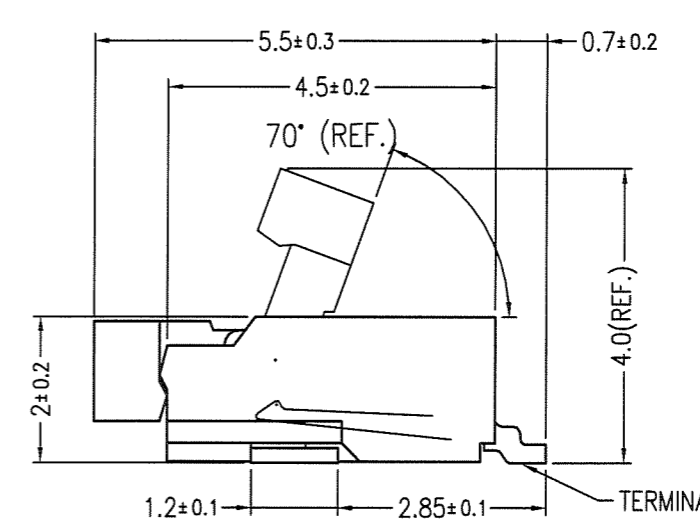
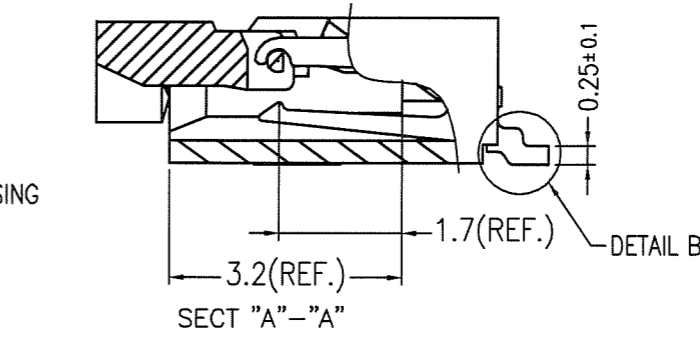
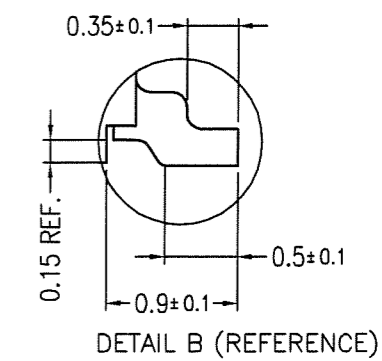
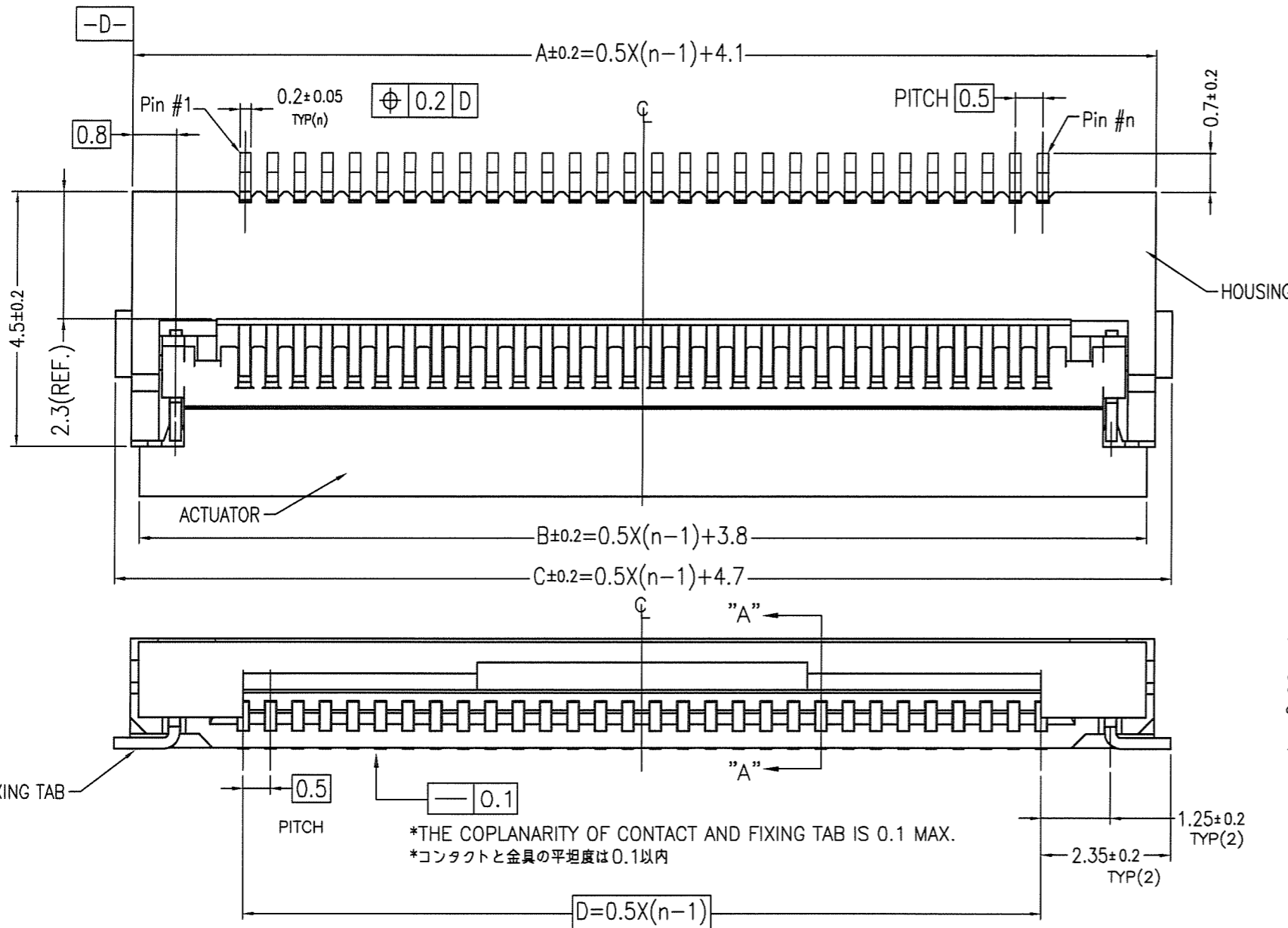
1. メタルマスク厚 : 0.1mm
2. FPC / FFC
FPCの補強板接着剤には熱硬化接着剤を使用し、接着方式は熱圧着とする。
3. その他
製品規格 : GS-12-541
取り扱い説明書 : GS-20-105
梱包規格 : GS-14-1264

	10085901-7021LF	38.6	38.3	39.2	34.5	40.3	
△	10085901-601HLF	33.6	33.3	34.2	29.5	35.3	
△	10085901-601LF	33.6	33.3	34.2	29.5	35.3	
	P/N	A	B	C	D	E	

mat'l. code		surface		tolerance		projection		product family		CODE	
---		ISO 1302 ✓		ISO 406 ISO 1101		⊕		59KF FLEX 0.5		JP	
ltr		description		ecn no		dr		date		title	
B		RELEASED		J09-0402		Y.K		2009-12-2		ASSEMBLY	
C		REVISED		J10-0079		Y.K		2010-4-5		0.5mm PITCH CONNECTOR FOR FPC VHC Series	
										MM	
										scale 10:1	
										FCI	
										dwg no	
										sheet 4 of 6	
										size	
										A3	
										type	
										Product Customer Drawing	
sheet index		revision sheet								Rev.	
										C	

PRODUCT NO.

10085901-**-11LF



*THE COPLANARITY OF CONTACT AND FIXING TAB IS 0.1 MAX.
*コンタクトと金具の平坦度は0.1以内

P/N	A	B	C	D	E
10085901-6011LF	33.6	33.3	34.2	29.5	35.3
10085901-5011LF	28.6	28.3	29.2	24.5	30.3
10085901-3511LF	21.1	20.8	21.7	17.0	22.8

NOTE
1.MATERIAL
1)HOUSING:THERMOPLASTIC RESIN,UL94V-0, NATURAL
2)ACTUATOR:THERMOPLASTIC RESIN,UL94V-0, BROWN
3)CONTACT:COPPER ALLOY (t=0.20)
4)FIXING TAB: COPPER ALLOY (t=0.20)
2.FINISH
1)CONTACT: ALL OVER Ni,Au FLASH.
2)FIXING TAB: ALL OVER Ni , Sn PLATING 1.5~3.5µm
3.CO-PLANARITY: 0.1 MAX.
5.RoHS
THIS PRODUCT MEETS EUROPEAN UNION DIRECTIVES AND OTHER COUNTRY REGULATIONSAS DESCRIBED IN GS-22-008

mat'l. code		surface ISO 1302		tolerance ISO 406 ISO 1101		projection		product family 59KF FLEX 0.5		CODE JP	
---		✓				⊕		title ASSEMBLY			
ltr description		ecn no		dr date		tolerances unless otherwise specified		title 0.5mm PITCH CONNECTOR FOR FPC VHC Series			
B RELEASED		J09-0402		Y.K 2009-12-2		angles linear		MM		dwg no 10085901	
C REVISED		J10-0079		Y.K 2010-4-5		0°±2'		scale 10:1		sheet 5 of 6 size A3	
				dr Y.KAMEDA 2010-4-5				FCI		type Product Customer Drawing	
				enrg Y.KAMEDA 2010-4-5						Rev. C	
				chr 2010-4-5							
				appd MCM Apr 5/10							
sheet index		revision sheet									

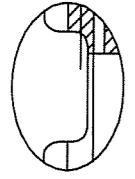


Copyright FCI.

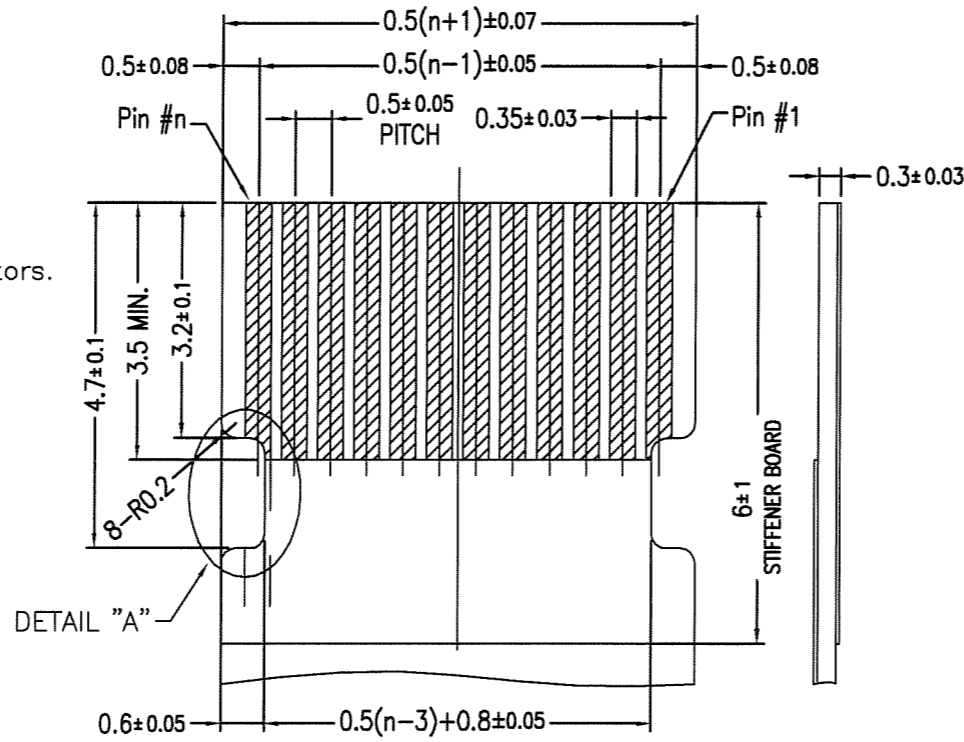
PRODUCT NO.

10085901-**-11LF

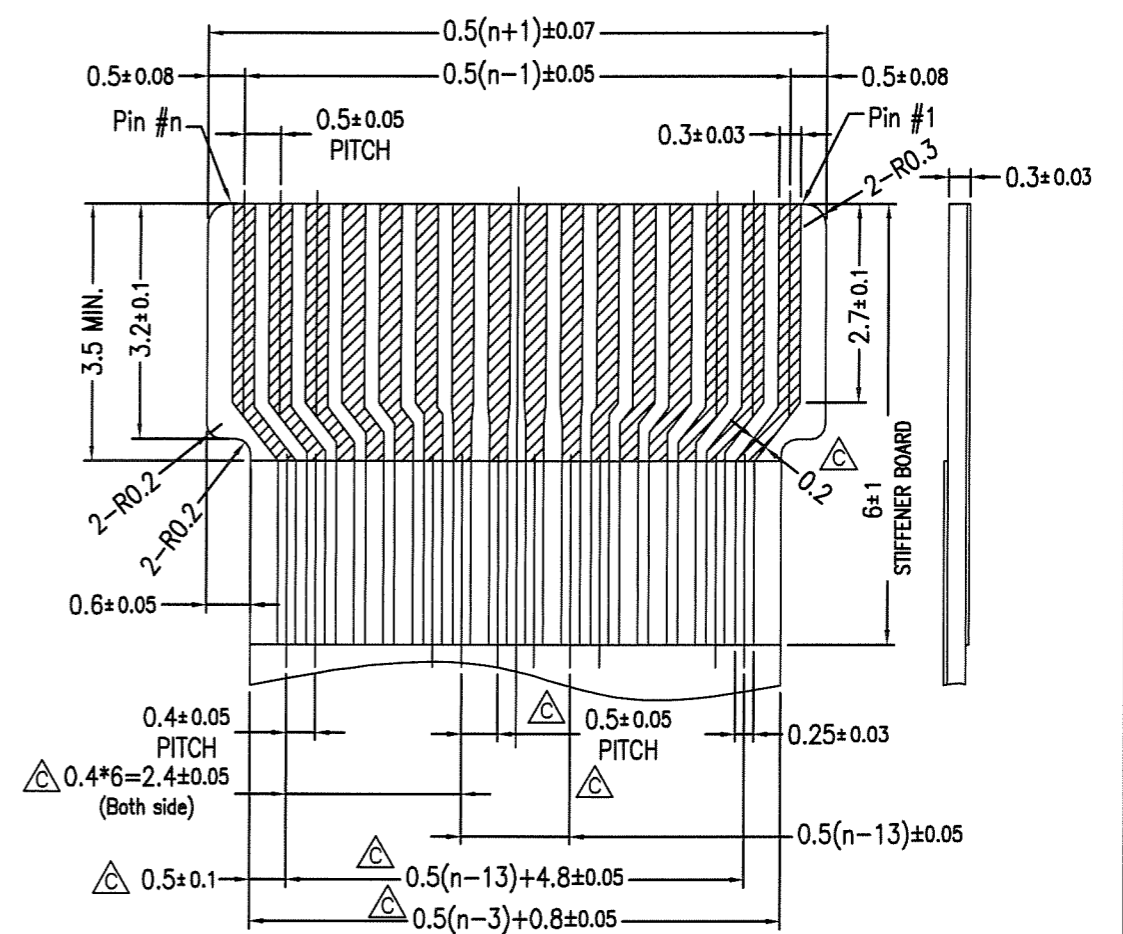
Cut through both sides conductors.



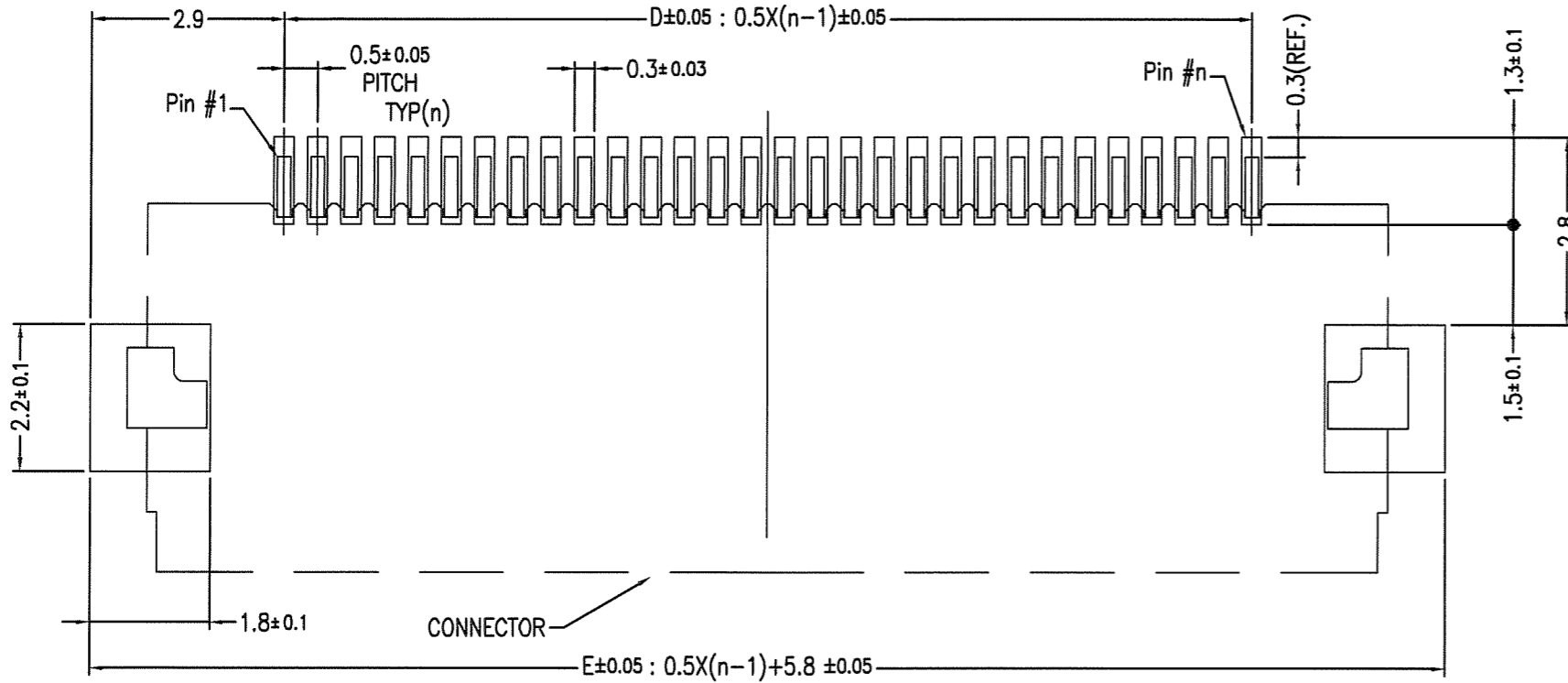
DETAIL "A"



RECOMMENDED FFC CONFIGURATION



RECOMMENDED FPC CONFIGURATION



RECOMMENDED PC BOARD LAYOUT

NOTE

- 1. THICKNESS OF A METAL MASK: 0.1mm
- 2. FPC / FFC
ADHESIVE METHOD OF SUPPORTING TAPE SHALL BE HEAT CRIMPING METHOD AND THERMOSETTING ADHESIVE MATERIAL SHALL BE USED.
- 3. ACCORDING TO THE KIND OF CABLE TO BE USED, SINCE OUTSIDE TWO CONDUCTORS CANNOT BE USED, THE LINE OF SIGNAL DECREASES.

注記

- 1. メタルマスク厚 : 0.1mm
- 2. FPC / FFC
FPCの補強板接着剤には熱硬化接着剤を使用し、接着方式は熱圧着とする。
- 3. 使用するケーブルの種類によっては、外側の2つの導体が使用不可能になるため信号ラインが減少します。

P/N	A	B	C	D	E
10085901-6011LF	33.6	33.3	34.2	29.5	35.3
10085901-5011LF	28.6	28.3	29.2	24.5	30.3
10085901-3511LF	21.1	20.8	21.7	17.0	22.8

mat'l. code		surface		tolerance		projection		product family		CODE	
---		ISO 1302		ISO 406		MM		59KF FLEX 0.5		JP	
ISO 1101		tolerances unless otherwise specified		0.X ±0.2		MM		title		ASSEMBLY	
B RELEASED		J09-0402		Y.K		2009-12-2		0.5mm PITCH CONNECTOR FOR FPC		VHC Series	
C REVISED		J10-0079		Y.K		2010-4-5		0.XX ±0.2		VHC Series	
								0.XXX ±0.2		scale 10:1	
		dr		Y.KAMEDA		2010-4-5		dwg no		sheet 6 of 6 size	
		enr		Y.KAMEDA		2010-4-5		10085901		A3	
		chr		Z. R. R. R.		2010-4-5		type		Product Customer Drawing	
		appd		M. C. M. C.		Apr 5 '10				Rev.	
sheet index		revision sheet								C	



FCIconnect.com

Copyright FCI.