

Preliminary

Specification

BTFT036M-04



Rev A - Jan 2009

LCM COUNTER-DRAWING APPROVAL SHEET

LCM 图纸确认书

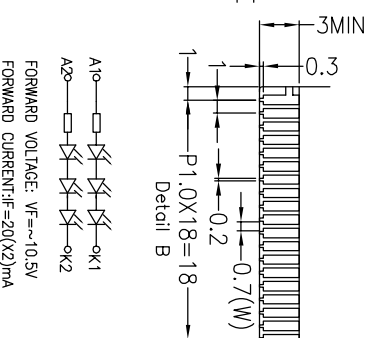
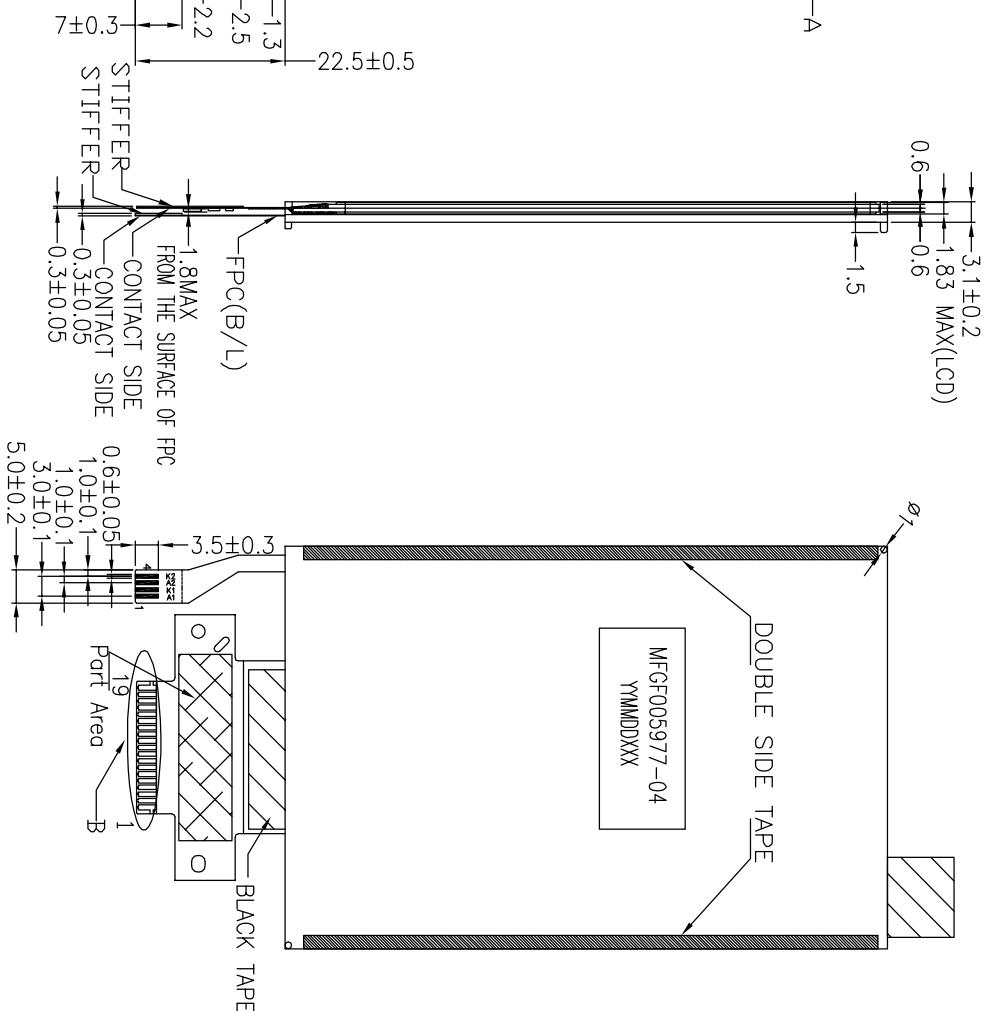
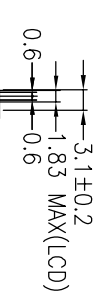
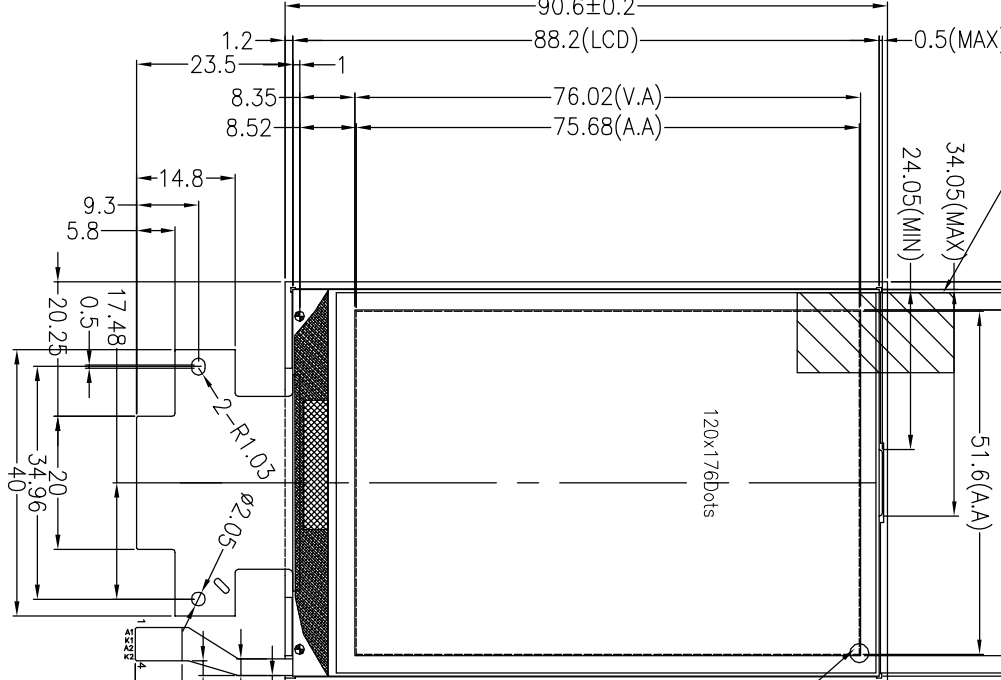
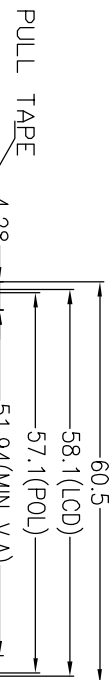
编号: JU-QE-024-F07

REV: A1

Ordering Number 订购型号	MFGF005977-04	Customer name 客户名称	DATA MODUL	
Internal Part Number 型号	MFGF005977-04	Customer P/N 客户型号		
Counter-drawing number 图纸名称	DWG-MFGF005977-04-VERA	Customer project name 客户项目名称	BL 3.6 MONO TFT	
Counter-drawing revision 图纸版本	A	Green/ROHS Compliant Product(环保/ROHS相容产品) <input checked="" type="checkbox"/> YES <input type="checkbox"/> NO		
Counter-drawing revision date 图纸版本日期	090320			
Module type 模块类型	COG+FPC+B/L	Customer Special Requirement:		
Display type 显示类型	A-TFT /normal black/TRANSMISSIVE			
Module dimension (WxHxT), mm 模块尺寸	60.5X90.6X3.1(Excluded FPC length)			
Number of dots 点阵个数	120(RGB)X176DOTS			
Dot size (WxH), mm 点阵尺寸	NA			
Dot pitch (WxH), mm 点阵间距	0.43X0.43			
Viewing area (WxH), mm 可视区	51.94X76.02			
Viewing angle 视角	N/A			
Front polarizer type 表偏光片类型	Transmissive normal			
Back polarizer type 底偏光片类型	Transmissive normal			
Driver IC P/N 驱动 IC 型号	N/A			
Driving scheme 驱动条件	N/A Duty 路数			N/A Bias 偏压
LCD driving voltage (VLCD), V LCD 驱动电压	N/A			
Interface connector type 界面连接类型	FPC			
Operating temperature 工作温度 (LCD surface)	-30 °C ~			85 °C
Storage temperature 存储温度	-30 °C ~			85 °C
Prepared by: 作成	LIUYANSONG	Checked by: 检查		
Date/日期	2009-3-20	Checked by: 审核	LIUXIHUA	
			Approved by: 批准	
				
			2009-3-20	

Note: To shorten the prototype development leadtime, please return the signed drawing specification or any comments within 3 days.

CUSTOMER FEEDBACK INFORMATION/客户反馈信息		
CUSTOMER APPRAISE 客户评价	CUSTOMER'S REQUEST FOR CHANGES 客户要求改善意见	AUTOGRAPH 客户签字
<input type="checkbox"/> Drawing approved/图纸确认 <input type="checkbox"/> Drawing not approved. Request for changes. 图纸不确认. 要求更改		



BRIGHTNESS:450cd/㎡ TYP(BACKLIGHT SURFACE)

NO.	Symbol	DESCRIPTION
1	GND	
2	C86	
3	PS	
4	BRST	
5	BDATA	
6	BCK	
7	DO	
8	GND	
9	XRES	
10	XCS	
11	XWR	
12	A0	
13	RESERVED	
14	VCC3.0	
15	VCC3.0	
16	RESERVED	
17	GND	
18	GND	
19	GND	

MFG005977-04
YMMDDXXX

Note: 1. "◇" Special Dimension(ppk/cpk data Needed>1.67); "**" Control Dimension: All Unmarked "◇" OR "*" Dimensions are Reference Dimensions and No Measurement Needed. 2.Green/Rohs Product Compliant 4. SEMI-MANUFACTURED GOODS(TFT COG+FPGA) CUSTOMER P/N: ET01020

QTN No. 1042-08
CUSTOMER NAME DATA MODUL
CUSTOMER P/N BL 3.6 mono TFT

DISPLAY OPERATION MODE	Transmissive /Normal black/a-TFT
VIEWING DIRECTION	
INTERFACE TYPE	NA
POWER SUPPLY SELECTION	NA
Top(Glass surface)	-30°C ~ 85°C
Tst	-30°C ~ 85°C
	SYM
	REVISION RECORD
	REVISED by
	DATE
	UNIT: mm
	UNSPECIFIED TOLERANCE: ±0.3
APPROD BY	DATE
VER(UJ)	DATE
X(EH)	DATE
Q(MC)	DATE
Q(MC)	DATE
Q(MC)	DATE
Q(MC)	DATE
Q(MC)	DATE

HARD ANGLE	
CUSTOMER ORDERING NO.	MFG005977-04
MODULE P/N:	MFG005977-04
DRAWING NO.	DWG-MFG005977-04-VERA
VERSION	A

TFT MODULE DRAWING

TITLE

