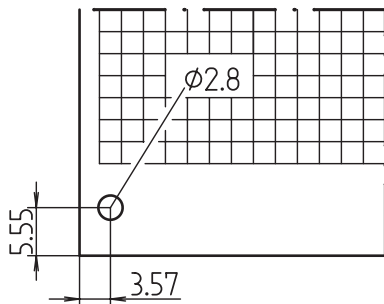
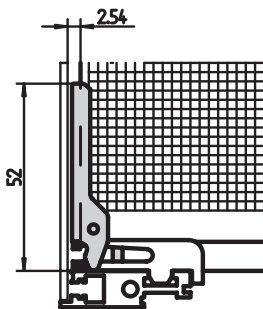
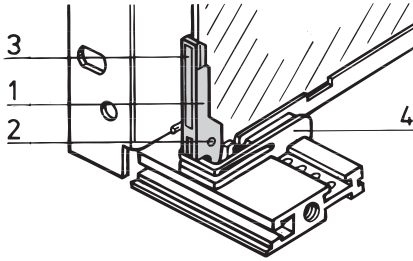


## PB accessories

### Printed board handle A



B4-2728

BZA42727

BZA42724

- Assembly behind front panels
- Only use printed board handle in conjunction with printed board retainer A (60817-097)
- Insertion and extraction function
- Labelling option

#### Order Information

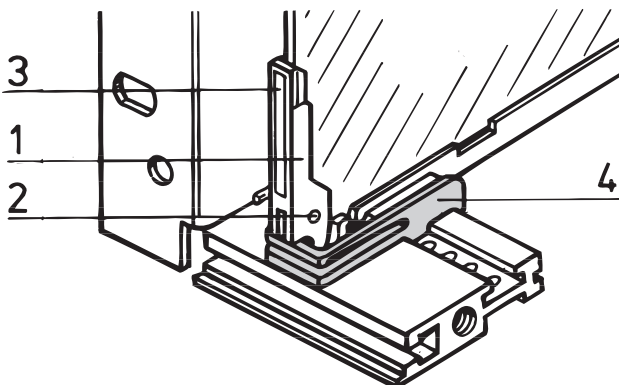
Item	Description	Material	Colour	Qty / PU	Order no.
1	Printed board handle A	PBTP, UL94V-0	red	SPQ 1) 10 pieces	<b>60817-096</b>
2	Pivot pin	Stainless steel	–	100	<b>21100-671</b>
3	Identification strip	Polyester film self-adhesive	matt-silver	100	<b>21100-672</b>

1) Delivery may be in standard pack quantity: Please order 10 pieces of printed board handles or a multiple. Pricing is per individual item



For further information [www.schroff.biz/oneclick](http://www.schroff.biz/oneclick)  
oneClick code = Order no.

### Printed board retainer A



C4-2728

- Can also be used without printed board handle
- Can be assembled on upper and lower horizontal rail

#### Order Information

Item	Description	Material	Colour	Qty	Order no.
4	Printed board retainer A for top and bottom (not for europacPRO)	PPO, UL 94 V-0	red	SPQ 1) 10 pieces	<b>60817-097</b>

1) Delivery may be in standard pack quantity: Please order 10 pieces of printed board retainers or a multiple. Pricing is per individual item.

#### Note

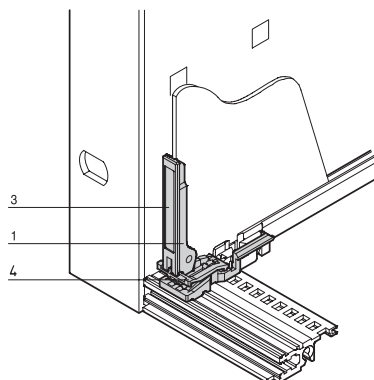
- Not usable:
  - for europac PRO, ratiopac PRO
  - for guide rails with screw connection
  - for guide blocks
  - for front light weight horizontal rails with clipped in cover plate
- Minimum spacing of guide rail 3 HP



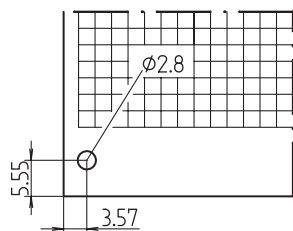
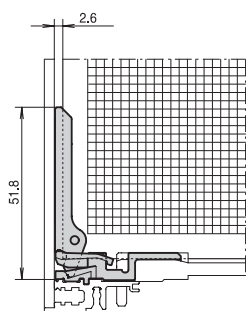
For further information [www.schroff.biz/oneclick](http://www.schroff.biz/oneclick)  
oneClick code = Order no.

## PB accessories

### Printed board handle europacPRO/ ratiopacPRO



BPA45909



BPA45910

BZA42724

- Assembly behind front panels
- Printed board handle can only be used in conjunction with printed board retainer A (64560-377)
- Insertion and extraction function
- Labelling option

#### Order Information

Item	Description	Material	Colour	Qty / PU	Order no.
1	Printed board handle with integrated assembly pin	PBT, UL 94 V-0	red	10	<b>24560-378</b>
3	Identification strip (1 sheet = 438 pieces)	Polyester film self-adhesive	white/matt	1	<b>60817-228</b>

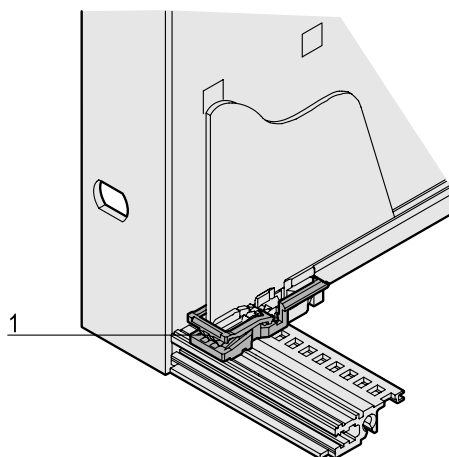
#### Note

- Can only be used together with guide rails europac PRO for accessories
- Minimum spacing of guide rail 3 HP



For further information [www.schroff.biz/oneclick](http://www.schroff.biz/oneclick)  
oneClick code = Order no.

### Printed board retainer europacPRO/ ratiopacPRO



- Can also be used without printed board handle
- Can be assembled on upper and lower horizontal rail

#### Order Information

Item	Description	Material	Colour	Qty / PU	Order no.
1	Printed board retainer europacPRO, PBT, UL 94 V-0, red	PBTP, UL 94 V-0	red	10	<b>24560-377</b>

#### Note

- Minimum spacing of the guide rail 3 HP
- Not usable on cases propac, compac, inpac

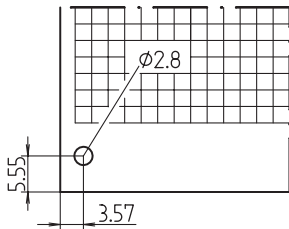
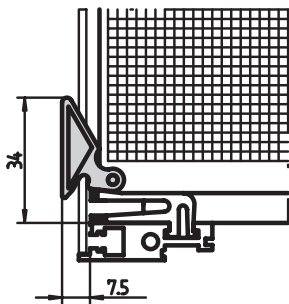
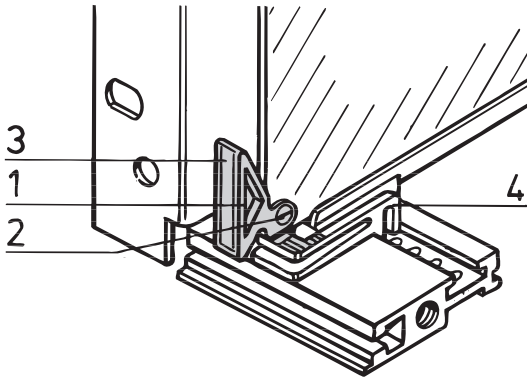
06002057



For further information [www.schroff.biz/oneclick](http://www.schroff.biz/oneclick)  
oneClick code = Order no.

## PB accessories

### Printed board handle B1



B42729

BZB42725

BZA42724

- To screw or rivet onto printed boards
- Can be used with printed board retainer B
- Labelling option
- Extraction function only

#### Order Information

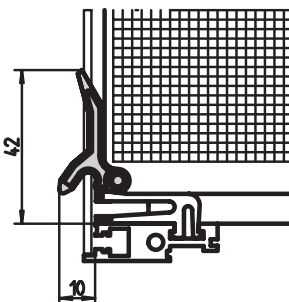
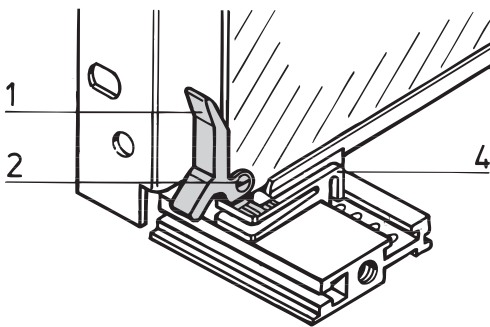
Item	Description	Material	Colour	Qty / PU	Order no.
1	Printed board handle to screw on	PBTP, UL 94 V-0	red	SPQ 1) 10 pieces	<b>60817-067</b>
1a	Printed board handle to rivet on	PBTP, UL 94 V-0	red	SPQ 1) 10 pieces	<b>60817-072</b>
2	Countersunk screw	St, nickel-plated, DIN 965	–	100	<b>21100-515</b>
2a	Tubular rivet	Brass	–	100	<b>21100-076</b>
3	Identification strip	Polyester film self-adhesive	white	100	<b>21100-569</b>

1) Delivery may be in standard pack quantity: Please order 10 pieces of printed board handles or a multiple. Pricing is per individual item.



For further information [www.schroff.biz/oneclick](http://www.schroff.biz/oneclick)  
oneClick code = Order no.

### Printed board handle B2



BZA46427

BZB42726

- To screw onto printed boards; can only be used on the lower horizontal rail
- Can be used with printed board retainer B
- Extraction function only
- Labelling option

#### Order Information

Item	Description	Material	Colour	Qty / PU	Order no.
1	Printed board handle	PBTP, UL 94 V-0	red	SPQ 1) 10 pieces	<b>60817-055</b>
2	Socket cap head screw with slot, M2.5 x 6	St, nickel-plated	–	100	<b>21100-146</b>

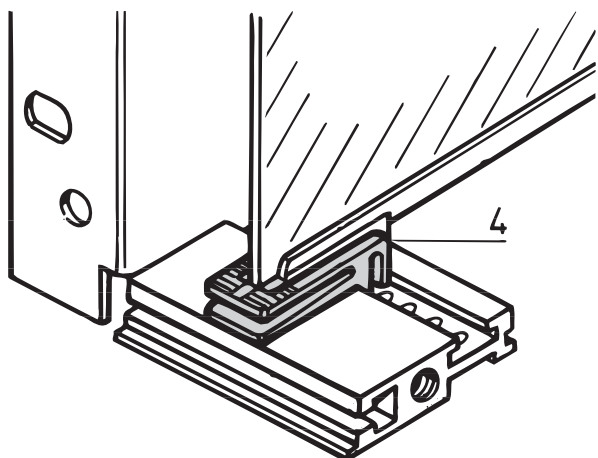
1) Delivery may be in standard pack quantity: Please order 10 pieces of printed board handles or a multiple. Pricing is per individual item.



For further information [www.schroff.biz/oneclick](http://www.schroff.biz/oneclick)  
oneClick code = Order no.

## PB accessories

### Printed board retainer B



BZA46428

- Can be assembled on upper and lower horizontal rail
- Can also be used without printed board handle
- Can also be used with guide blocks

#### Order Information

Item	Description	Material	Colour	Qty	Order no.
4	Printed board retainer at bottom	PPO, UL 94 V-0	red	SPQ 1) 10 pieces	<b>60817-054</b>
4a	Printed board retainer at top	PPO, UL 94 V-0	black	SPQ 1) 10 pieces	<b>60817-071</b>

1) Delivery may be in standard pack quantity: Please order 10 pieces of printed board retainers or a multiple. Pricing is per individual item.

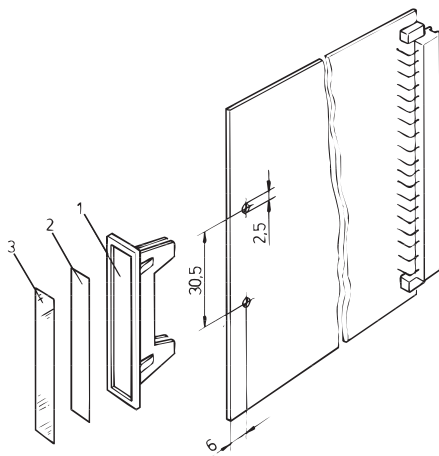
#### Note

- Not usable for europac PRO and ratiopac PRO



For further information [www.schroff.biz/oneclick](http://www.schroff.biz/oneclick)  
oneClick code = Order no.

### Printed board handle, can be locked



A3261

#### Order Information

Item	Description	Material	Colour	Qty	Order no.
1	Printed board handle, can be locked	PPE, UL 94 V-1	grey	SPQ 1) 10 pieces	<b>60800-039</b>
1	Printed board handle, can be locked	PPE, UL 94 V-1	red	SPQ 1) 10 pieces	<b>60800-045</b>

**Identification strips** Item 2, 1 sheet = 200 strips, white cardboard, 50 × 5 × 0.3 mm **69000-011**

**Transparent strips** Item 3, 50 × 5 × 0.3 mm, PU 100 pieces **69000-007**

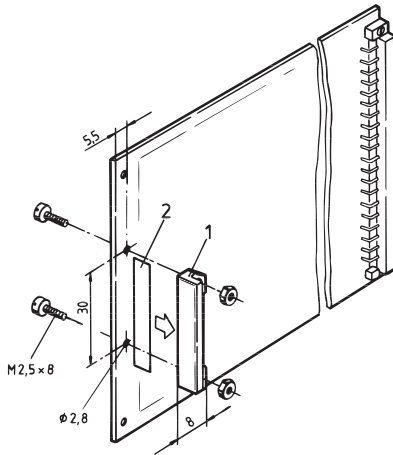
1) Delivery may be in standard pack quantity: Please order 10 pieces of printed board handles or a multiple. Pricing is per individual item.



For further information [www.schroff.biz/oneclick](http://www.schroff.biz/oneclick)  
oneClick code = Order no.

## PB accessories

### Printed board handle, to screw/rievet on



A4-1302

#### Order Information

Item	Description	Material	Colour	Qty	Order no.
1	Printed board handle, to screw/rievet on	Acrylic	yellow	SPQ 1) 10 pieces	<b>60817-050</b>
2	Printed board handle, to screw/rievet on	Acrylic	red	SPQ 1) 10 pieces	<b>60817-051</b>
1	Printed board handle, to screw/rievet on	Acrylic	green	SPQ 1) 10 pieces	<b>60817-052</b>

**Identification strip** Item 2, white cardboard, 1 sheet, PU 100 pieces **69000-969**

**Pozidrive flathead screw** M2.5 x 8, St, nickel-plated, PU 100 pieces **21101-069**

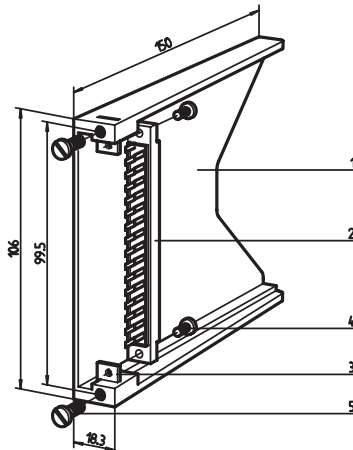
**Hexagon nut** A 2.5, nickel-plated, PU 100 pieces **21100-144**

1) Delivery may be in standard pack quantity: Please order 10 pieces of printed board handles or a multiple. Pricing is per individual item.

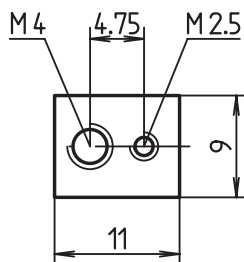


For further information [www.schroff.biz/oneclick](http://www.schroff.biz/oneclick)  
oneClick code = Order no.

### Printed board jacket



Retention bracket (DIN 41 612)



LKA42605

- For assembly of printed boards in euroboard format 100 x 160 mm
- For spring contact strips in accordance with EN 60603
- Distance between printed board and board jacket 3 mm

#### Delivery comprises (kit)

Item	Qty	Description
1	1	Printed board jacket, PC, grey
3	2	Retention bracket, St, 2 mm, nickel-plated
4	2	Socket cap head screw M 2.5 x 6, St, nickel-plated
5	2	Socket cap head screw M 4 x 12, St, nickel-plated

#### Order Information

Item	Description	Material	Colour	Qty / PU	Order no.
1	Printed board jacket EN 60603	PC	grey	1	<b>20800-032</b>

- Connector (item 2) see chapter Accessories - Connectors

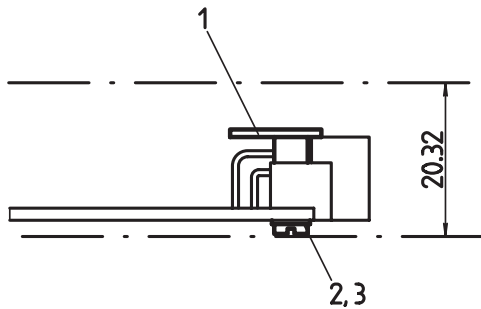
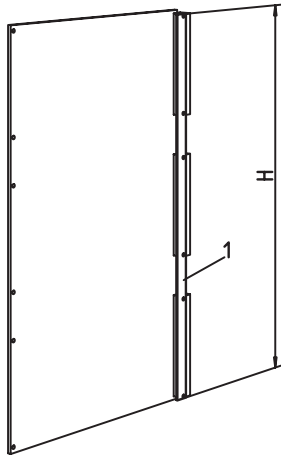


For further information [www.schroff.biz/oneclick](http://www.schroff.biz/oneclick)  
oneClick code = Order no.

LKA42606

# PB accessories

## Printed board reinforcement



LKA42609

- Protects large printed boards against deformation
- Combines all connectors with one another as the second leg (in accordance with directives IEEE, P 896, Nubus, Multibus® II etc.)
- Assembly points suitable for connectors in accordance with EN 60603, type B, R, C and D

### Delivery comprises (kit)

Item	Qty	Description
1	1	Printed board reinforcement, Al extrusion, anodised, cut edges untreated
2	6	Socket cap head screws M 2.5 × 12, St, nickel-plated
3	6	U washer 2.6, St, nickel-plated

### Order Information

Description	Height H mm	Order no.
For 9 U printed board	361.6	<b>20809-441</b>

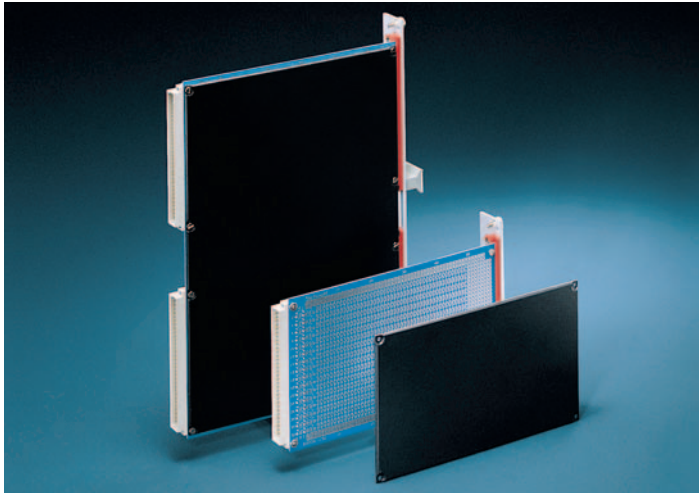


For further information [www.schroff.biz/oneclick](http://www.schroff.biz/oneclick)  
oneClick code = Order no.

LKA42593

# PB accessories

## Printed board cover



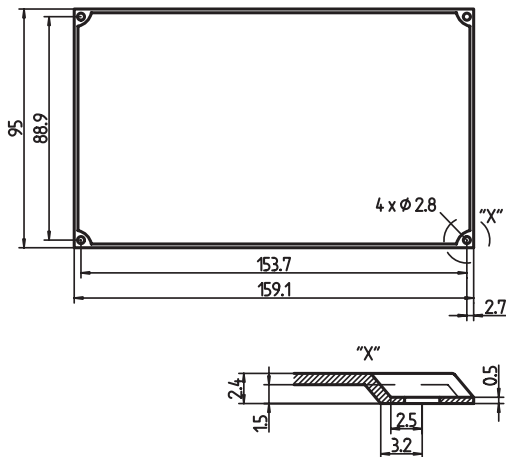
- Mechanical protection of the solder side

### Order Information

Description	Qty	Order no.
Printed board cover for euroboards (100 x 160 mm), PBTP, UL 94 V-0, black	SPQ 1) 10 pieces	<b>61000-007</b>
Printed board cover with low temperature expansion coefficient (same as FRA4 printed board); for euroboards (100 x 160 mm), LCP, UL 94 V-0, white	SPQ 1) 10 pieces	<b>61000-177</b>
Printed board cover for double euroboards (233.35 x 160 mm), PP, UL 94 V-0, black	SPQ 1) 10 pieces	<b>61000-012</b>

1) Delivery may be in standard pack quantity: Please order 10 pieces of printed board covers or a multiple. Pricing is per individual item.

100 x 160 mm



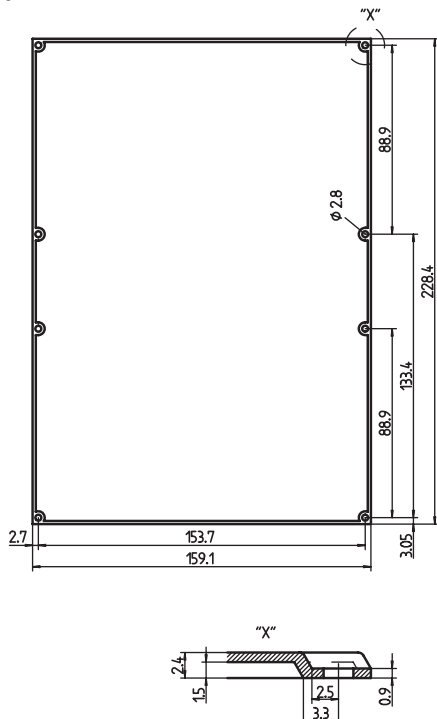
11092008

LKA40520



For further information [www.schroff.biz/oneclick](http://www.schroff.biz/oneclick)  
oneClick code = Order no.

233.35 x 160 mm

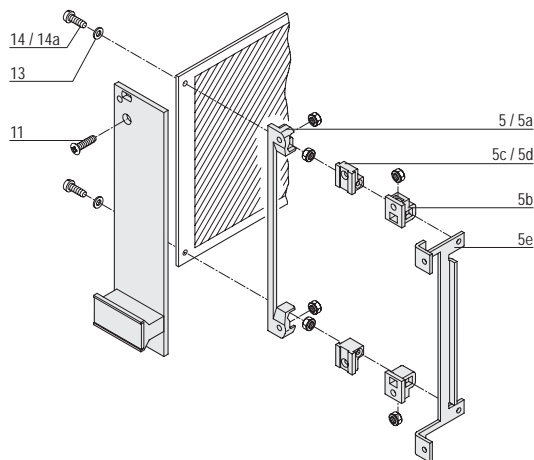


LKA30451



# PB accessories

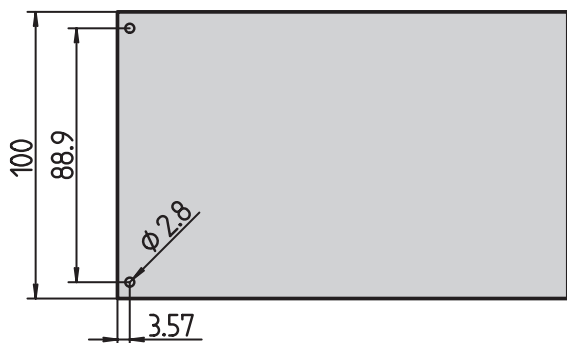
## Printed board bracket



BZA46430

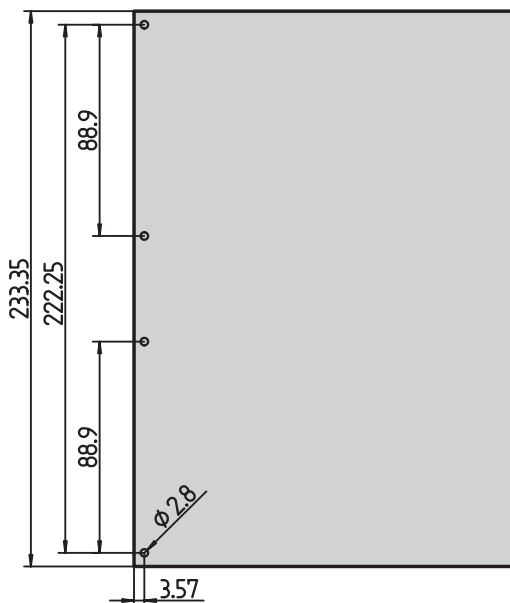
Drill hole dimensions on the printed board

3 U



BGA43076

6 U



BGA43077

■ For the assembly of the printed board onto the front panel

### Order Information

Item	Description	Required quantity for 3 U	Required quantity for 6 U	Order no.
5	4 holes for front panel/ printed board assembly, 4 pockets for hexagon nuts, PBT, UL 94 V-0, red, 1 piece	1	2	<b>60807-011</b>
5a	4 threads M2.5 for front panel/ printed board assembly, PBT UL 94 V-0, grey, 1 piece	1	2	<b>60807-211</b>
5b	Hole for front panel assembly, with pocket for hexagon nut, hole for self-tapping screw for printed board assembly, PBT UL 94 V-0, grey, 1 piece	2	4	<b>60807-183</b>
5c	2 threads M2.5 for front panel/ printed board assembly, Zn die-cast, 1 piece	2	4	<b>60807-181</b>
5d	Thread M 2.5 for front panel assembly, hole for printed board assembly, Zn die-cast, 1 piece	2	4	<b>60807-203</b>
5e	4 threads M2.5 for front panel/ printed board assembly for recessed installation of printed board (20 mm), mounting depth 192.24 mm, St, zinc-plated, not for europacPRO, ratiopacPRO, 1 piece	1	2	<b>30808-871</b>

Delivery may be in Standard Pack Quantity: Please order 10 pieces or a multiple. Pricing is per individual item.

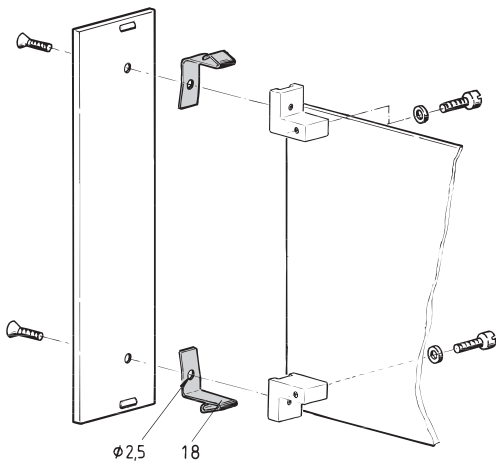


For further information [www.schroff.biz/oneclick](http://www.schroff.biz/oneclick)  
oneClick code = Order no.



## PB accessories

### Contact spring for electrostatic discharge (ESD)



- Assembly between front panel and die-cast printed board bracket of a plug-in unit
- Discharge via a horizontal rail with a conductive finish (chromated)
- Configuration top and/or bottom

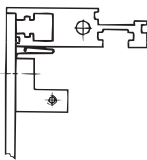
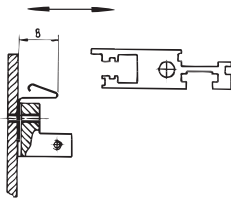
#### Order Information

Item	Description	Material	Qty / PU	Order no.
18	Contact spring for electrostatic discharge (ESD)	St, corrosion-free	50	<b>21101-147</b>

#### Note

- Not usable for subrack europacPRO and desk-top case ratiopacPRO

BGA46426

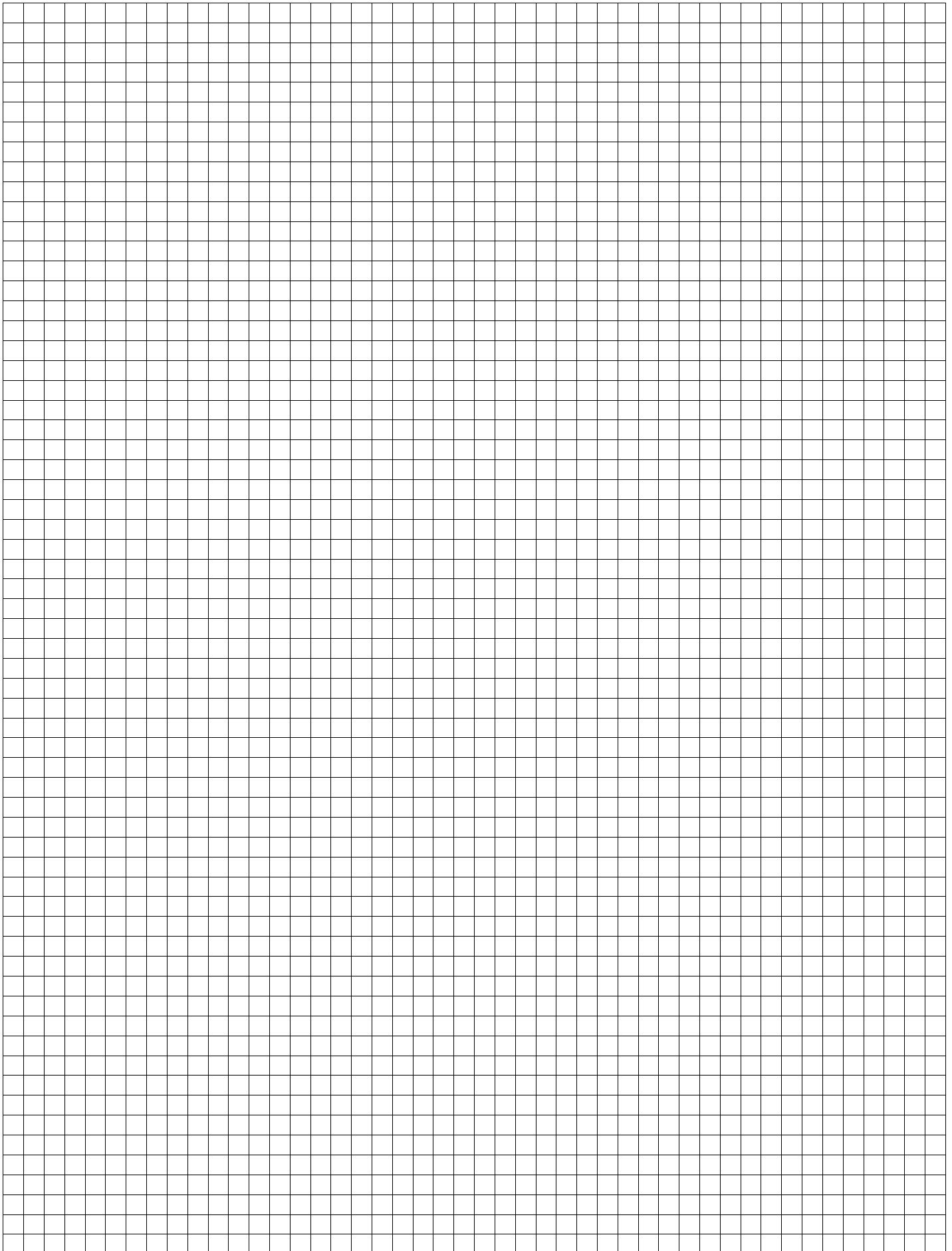


A4-2184



For further information [www.schroff.biz/oneclick](http://www.schroff.biz/oneclick)  
oneClick code = Order no.

## PB accessories

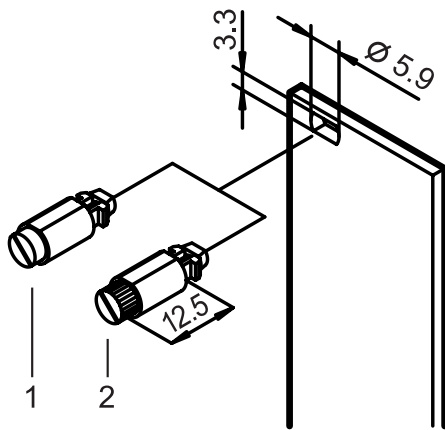


## Assembly parts

### Assembly parts

- Quick-release fastener
- Sleeve
- Screws
- Cage nuts
- Tools

### Quick-release fastener



- Vibration and shock proof
- 1/4 rotary lock with defined stop
- Detection of fastening position with slot position

### Delivery comprises

Qty	Description
1	Locking pin, St, locking, Zn die-cast
1	Press-in sleeve, POM

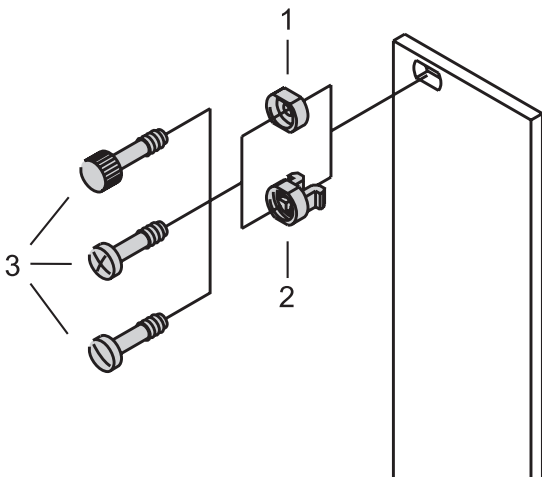
### Order Information

Item	Description	Qty / PU	Order no.
1	With slotted head, grey	100	<b>21101-847</b>
1	With slotted head, black	100	<b>21101-848</b>
2	With knurled head, grey	100	<b>21101-849</b>
2	With knurled head, black	100	<b>21101-850</b>

### Note

Quick-release fastener: mounting without threaded insert

### Sleeve



### Order Information

Item	Description	Qty / PU	Order no.
2	Plastic sleeve, PA, grey	100	<b>21100-464</b>
2	Plastic sleeve, PA, black	100	<b>21100-591</b>
1	Metal sleeve, brass, nickel-plated	10	<b>21100-659</b>
1	Metal sleeve, brass, nickel-plated	100	<b>21100-660</b>
1	Metal sleeve, brass, black	10	<b>21100-885</b>
1	Metal sleeve, brass, black	100	<b>21100-886</b>
1	Metal sleeve, stainless steel	10	<b>21100-661</b>
1	Metal sleeve, stainless steel	100	<b>21100-662</b>

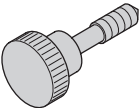
### Note

- Metal sleeves have to be pressed into the front panels
- Not for front panels 2 HP
- Please order collar screw (item 3) separately, see page 7.95

# Assembly parts

## Collar screw


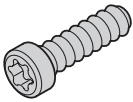
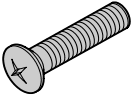
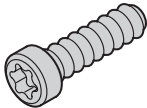
### Order Information

Description	Application	Material	Dimension	Qty / PU	Order no.
  <small>AZA46586</small>	Collar screw with Pozidrive/slot  For assembly of front panels if threaded strips are used; not for europacPRO and ratiopacPRO	St, nickel-plated	M2.5 × 11	100	<b>21100-748</b>
		Ms, zinc-plated, black	M2.5 × 11	100	<b>21100-749</b>
		V2A, only slot	M2.5 × 11	100	<b>21101-323</b>
		St, nickel-plated	M2.5 × 12.3	100	<b>21101-101</b>
  <small>AZA45941</small>	Collar screw with Torx  For assembly of front panels if threaded strips are used; also for europacPRO and ratiopacPRO	St, nickel-plated	M2.5 × 12.3	100	<b>21101-782</b>
		St, zinc-plated, black	M2.5 × 12.3	100	<b>21101-783</b>
		V2A	M2.5 × 12.3	100	<b>21101-906</b>
		Ms, nickel-plated	M2.5 × 11	50	<b>21100-268</b>
  <small>AZA45929</small>	Collar screw with knurled head  For assembly of front panels if threaded strips are used; not for europacPRO and ratiopacPRO	Ms, zinc-plated	M2.5 × 12.3	100	<b>21101-749</b>
		Ms, nickel-plated	M2.5 × 12.3	100	<b>21101-909</b>
		Ms, nickel-plated	M2.5 × 11	100	<b>21101-106</b>
  <small>AZA45930</small>	Collar screw with knurled head/slot  For assembly of front panels if threaded strips are used; not for europacPRO and ratiopacPRO	Ms, nickel-plated	M2.5 × 11	100	<b>21101-106</b>

# Assembly parts

## Countersunk screw

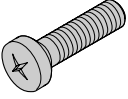
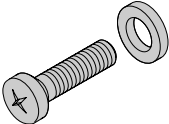
### Order Information

	Description	Application	Material	Dimension	Qty / PU	Order no.
	Pozidrive c/sk screw	For plastic handle 3 HP/4 HP on front panel of plug-in units	St, nickel-plated	M2.5 × 6	100	<b>21100-515</b>
		For handles on plug-in units	St, nickel-plated	M2.5 × 12	100	<b>21100-507</b>
<small>AZA45177</small>						
	Countersunk screw with Torx	For contact strips europacPRO, ratiopacPRO	St, zinc-plated	M4 × 5	100	<b>24560-139</b>
		For mixed board assembly and assembly of shortened horizontal rail on support member, with GND/earthing function	St, zinc-plated	M4 × 14	100	<b>24560-145</b>
<small>AZA46585</small>						
	Raised Pozidrive c/sk screw	For printed boards on front panel	St, nickel-plated	M2.5 × 8	100	<b>21100-429</b>
		For printed board bracket on the front panel	St, nickel-plated	M2.5 × 10	100	<b>21100-500</b>
		For printed board bracket on the front panel	St, zinc-plated, black	M2.5 × 10	100	<b>21100-649</b>
		For printed board bracket on the front panel	St, nickel-plated	M3 × 8	100	<b>21100-542</b>
<small>06702056</small>						
	Pan head screw with torx	For AI guide rails, heavy duty	St, zinc-plated, black	M2.5 × 7.3	100	<b>24560-157</b>
		For 4.4" board height; guide rail on horizontal rail, europacPRO, ratiopacPRO	St, zinc-plated	M2.5 × 7.7	100	<b>24560-158</b>
		For plastic guide rail on horizontal rail; for control panel bracket assembly on horizontal rail	St, zinc-plated	M2.5 × 9.3	100	<b>24560-141</b>
<small>aza45922</small>						

# Assembly parts

## Pan head screw

### Order Information

	Description	Application	Material	Dimension	Qty / PU	Order no.		
	Pan head Pozidrive c/sk screw	For brackets on plug-in units	St, nickel-plated	M2.5 × 4	100	<b>21101-218</b>		
		For Z or perforated rails on horizontal rails	St, nickel-plated	M2.5 × 5	100	<b>21101-314</b>		
		For spring contact strips on Z-rail cable ducting	St, nickel-plated	M2.5 × 6	100	<b>21101-219</b>		
		For printed boards on printed board bracket	St, nickel-plated	M2.5 × 8	100	<b>21101-069</b>		
		For printed boards on printed board bracket	St, nickel-plated	M2.5 × 10	100	<b>21101-220</b>		
		For handles on plug-in units	St, nickel-plated	M2.5 × 12	100	<b>21101-221</b>		
		For handles on plug-in units	St, nickel-plated	M2.5 × 16	100	<b>21101-222</b>		
		For mounting of horizontal/central rail on compac cases	St, zinc-plated	M5 × 12	100	<b>21100-788</b>		
		For printed board assembly	St, zinc-plated	M2.5 × 6	100	<b>24560-159</b>		
		For Z-rails and connector assembly	St, nickel-plated	M2.5 × 7	100	<b>24560-147</b>		
	Pan head screw with Torx	For perforated rail	St, nickel-plated	M2.5 × 10	100	<b>24560-148</b>		
		For backplane assembly	St, nickel-plated	M2.5 × 12	100	<b>24560-161</b>		
		For backplane assembly	St, nickel-plated	M2.5 × 14	100	<b>24560-162</b>		
		For backplane assembly	St, nickel-plated	M2.5 × 16	100	<b>24560-163</b>		
		To screw on support bracket, rear hood, rear angle on side panel, extension bracket and adapter bracket	St, zinc-plated	M4 × 6	100	<b>24560-135</b>		
		To screw on cover plate or chassis plate, with GND/earthing function	St, zinc-plated	M4 × 6	100	<b>24560-151</b>		
		For horizontal rail on side panel if guide rail bolted onto pin position 1	St, zinc-plated	M4 × 10	100	<b>24560-155</b>		
		For horizontal rail on side panel, with GND/earthing function	St, zinc-plated	M4 × 14	100	<b>24560-130</b>		
			Screw + securing washer	For backplane assembly	St, nickel-plated	M2.5 × 12	100	<b>21100-777</b>

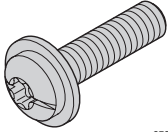
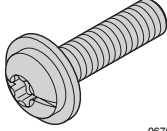
06702057

AZA45940

06702051

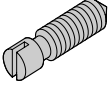


## Assembly parts

	Description	Application	Material	Dimension	Qty / PU	Order no.
	Cheesehead screw with hexagon socket	For mounting of horizontal-/ central rail on compacPRO cases	St, zinc-plated	M5 × 12	100	<b>21101-057</b>
<small>aza45184</small>						
	Taptite screw with hexagon socket	For mounting of horizontal-/ central rail on compacPRO cases	St, zinc-plated	M5 × 12	100	<b>21100-457</b>
<small>06702050</small>						



### Grub screw

#### Order Information

	Description	Application	Material	Dimension	Qty / PU	Order no.
		For threaded inserts M2.5 and perforated strips	Stainless steel	M2.5 × 9	100	<b>21101-359</b>
	Grub screw	For threaded inserts M2.5	St, nickel-plated	M2.5 × 8	100	<b>21100-276</b>
<small>BZA45853</small>		For threaded inserts M3	St, zinc-plated	M3.0 × 8	100	<b>21100-646</b>

### Washer


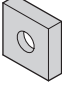

#### Order Information

	Description	Application	Material	Dimension	Qty / PU	Order no.
	Washer	For front panel, 2 HP	Plastic, PA	2.7 × 5 × 1	100	<b>21101-121</b>
<small>AZA45178</small>		For handles on plug-in units	St, nickel-plated	A2.7 DIN 125	100	<b>21100-721</b>
	Shakeproof washer	For printed board assembly	St, nickel-plated	2.6	100	<b>21100-142</b>
<small>AZA45180</small>						

## Assembly parts

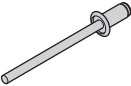
### Nut

#### Order Information

	Description	Application	Material	Dimension	Qty / PU	Order no.
	Hexagon nut <small>AZA43239</small>	For handles on plug-in units	St, nickel-plated	M2.5	100	<b>21100-144</b>
	Square nut <small>AZA45927</small>	For handles on plug-in units	St, nickel-plated	M2.5	100	<b>21100-359</b>
	Square nut <small>AZA45921</small>	For assembly of components on side panels, contact strips, chassis plates	St, zinc-plated	M4	100	<b>24560-140</b>

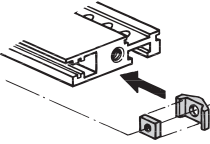
### Tubular rivets

#### Order Information

	Description	Application	Material	Dimension	Qty / PU	Order no.
	Tubular rivets <small>AZA45926</small>	For printed board assembly	-	B2.5 x 0,25 x 5	100	<b>21100-459</b>

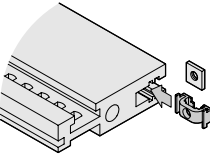
### Slide nut for front horizontal rail

#### Order Information

	Description	Application	Material	Dimension	Qty / PU	Order no.
	Slide nut, AF 7 <small>A4-559-1</small>	For front horizontal rail; alternative to threaded insert; not for europacPRO and ratiopacPRO	Slide nut, St, nickel-plated, Slide, PA	M2.5	100	<b>21100-112</b>
				M3	100	<b>21100-289</b>

### Slide nut for rear horizontal rail

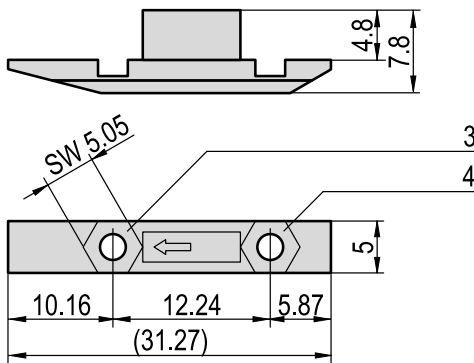
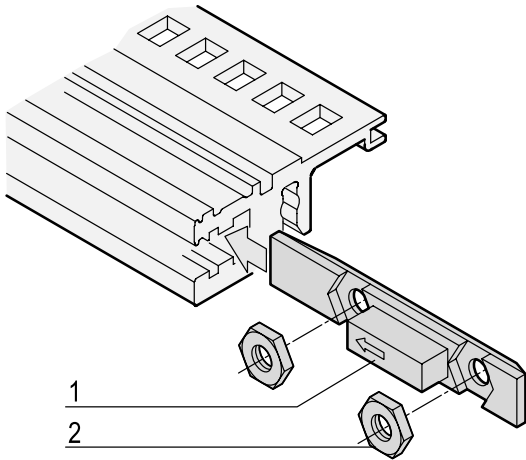
#### Order Information

	Description	Application	Material	Dimension	Qty / PU	Order no.
	Slide nut, AF 5 <small>05802056</small>	For rear horizontal rail; alternative to threaded insert; not for europacPRO and ratiopacPRO	Slide nut, St, nickel-plated, Slide, PA	M2.5	100	<b>21100-425</b>



# Assembly parts

## Slide nut



06702060

- For europacPRO and ratiopacPRO
- The slide nut is inserted into the slot in the horizontal rail instead of threaded inserts

### Delivery comprises (kit)

Item	Qty	Description
1	1	Slide, red, UL 94 V-0, PBT
2	2	Nut M 2.5, St, zinc-plated

### Order Information

Description	Description	Order no.
Slide nut kit 1	100 slides / 200 nuts	<b>24560-165</b>
Slide nut kit 2	12 slides / 24 nuts	<b>24560-166</b>

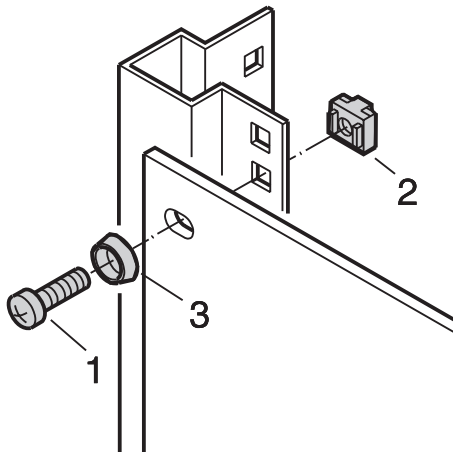
### Note

- Nuts used in location 3:  
Application for
  - hinged front panels 84 HP
  - full-width front panels or full-width rear panels 84 HP
- Nuts used in location 4:  
Application for
  - hinged front panels
- Nuts used in location 3 and location 4:  
Application for
  - two front panels



For further information [www.schroff.biz/oneclick](http://www.schroff.biz/oneclick)  
oneClick code = Order no.

## Assembly kit



SC128XXX

- Subracks in cabinets or 19" case
- Case with 19" brackets in cabinets

### Delivery comprises (kit)

Item	Qty	Description
1	1	Screw M6 × 16, zinc-plated pozidrive
2	1	Plastic washer, ABS, black
3	1	Cage nut M6, zinc-plated

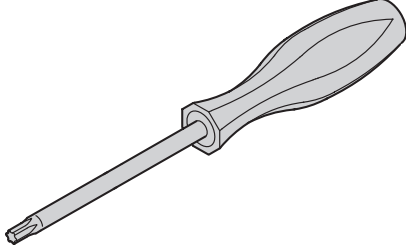
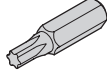
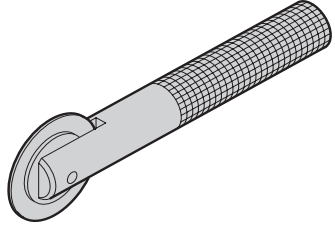
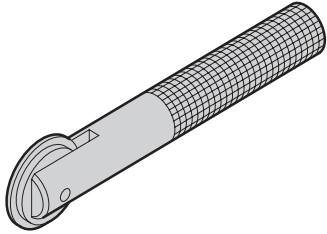
### Order Information

Description	Order no.
PU per 8 × (screw, washer, nut)	<b>21100-435</b>
1 PU = per 50 × (screw, washer, nut)	<b>21101-809</b>
1 PU = per 100 × (screw, washer, nut)	<b>21101-810</b>

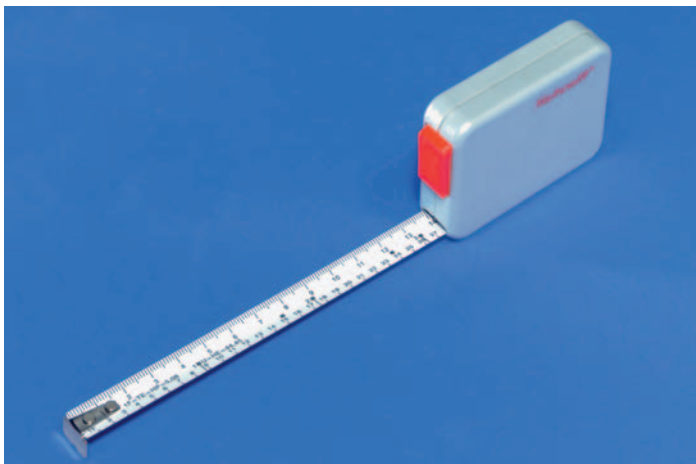
## Assembly parts

### Assembly tool

#### Order Information

	Description	Dimension	Qty / PU	Order no.
 <small>AZA45925</small>	Torx screwdriver	T8 × 60	1	<b>64560-026</b>
		T20 × 100	1	<b>64560-027</b>
 <small>AZA45924</small>	Torx bit for screwdriver	T8	1	<b>64560-028</b>
		T20	1	<b>64560-029</b>
 <small>aza45938</small>	Assembly tool for horizontal rails	–	1	<b>24560-271</b>
 <small>aza45937</small>	Assembly tool for front panels	–	1	<b>24560-270</b>

### Tape measure



32506001

- Tape measure with cm, U and HP division (length 2 m)
- Outer casing plastic, metal tape measure with automatic retraction

#### Order Information

Description	Qty / PU	Order no.
Tape measure	1	<b>89009-001</b>