

DWG. NO. SD-3191-06PI-*

E

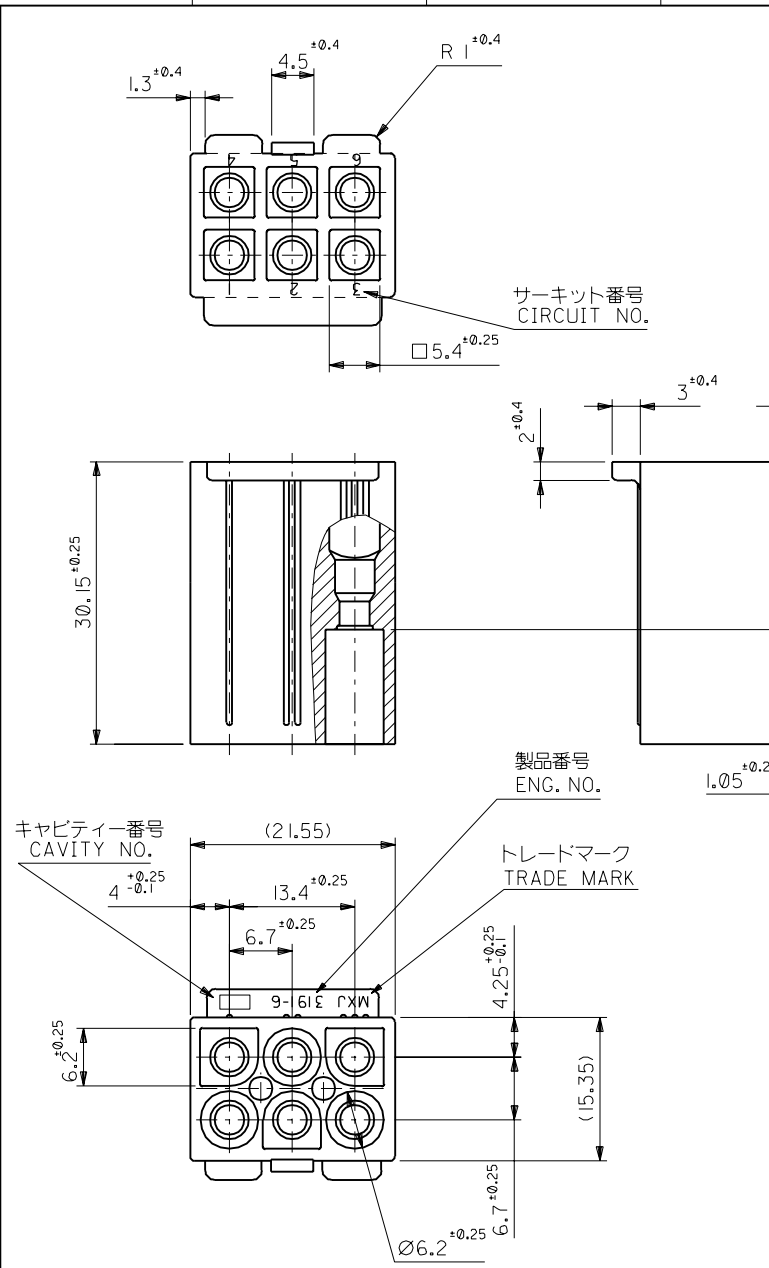
D

C
DIMENSIONS IN METRIC DO NOT SCALE DRAWING

B

A

MM



注記
NOTE
() 内寸法は参考値
DIMENSIONS IN () ARE REFERENCE

| | | | |
|------------|---------------|----------|-------|
| 39-03-6063 | 3191-06PI-201 | NYLON66 | 94V-0 |
| 39-03-6062 | 3191-06PI | NYLON66 | 94V-2 |
| EDP. NO. | ENG. NO. | MATERIAL | UL |

| | |
|---------------------------------|-----------------------------------|
| 材料 MATERIAL | 表参照 SEE CHART |
| 仕上げ FINISH | — |
| 適用電線範囲 WIRE RANGE | — |
| 被覆外径 INS. RANGE | — |
| DRAWN BY '96/06/26 H.IIJIMA | CHK'D BY '96/06/26 M.FUKUSHIMA |
| APP'D BY '96/06/26 M.ENOMOTO | 尺度 SCALE 2 : 1 |

| | |
|---|----------|
| MOLEX-JAPAN CO.,LTD. 日本モレックス株式会社 | |
| REVISE ONLY ON CAD SYSTEM | |
| TITLE 名称 | |
| 6 CKT. PLUG HS'G. (.093 DIA. TERMINAL) | |
| DWG. NO. SD-3191-06PI-* | REV H |

| | |
|----------------------------|--------------------------------|
| 角度 ANGLE | ±3° |
| 30° 以上 OVER | +0.3 |
| 10° 以上 30° 未満 OVER UNDER | +0.25 |
| 10° 未満 UNDER | +0.2 |
| 一般公差 GENERAL TOLERANCES | H 再作図 REDRAW (JIS70317) M.F |
| 記号 LTR | 変更内容 REVISION RECORD |
| DR. / CHK. | 日付 DATE |