

FULLY SEALABLE HEIDI-OSL LENSES FOR OSRAM OSOLON SSL LEDS



OSRAM
www.osram.com



- Specially designed for Osram Osolon SSL series of LEDs.
- Lens material optical grade PMMA with high UV and temperature resistance (105°C/220°F)
- High optical efficiency, up to 90%
- No lens holder. Fastening to heat sink with a PU foam adhesive tape of automotive grade
- Please check fastening details from this link:
(http://www.ledil.com/datasheets/DataSheet_TAPE.pdf)
- Lens foot can be potted with resin without losses in optical efficiency (**fully sealed construction** of luminaire possible)
- Diameter 21.6 mm

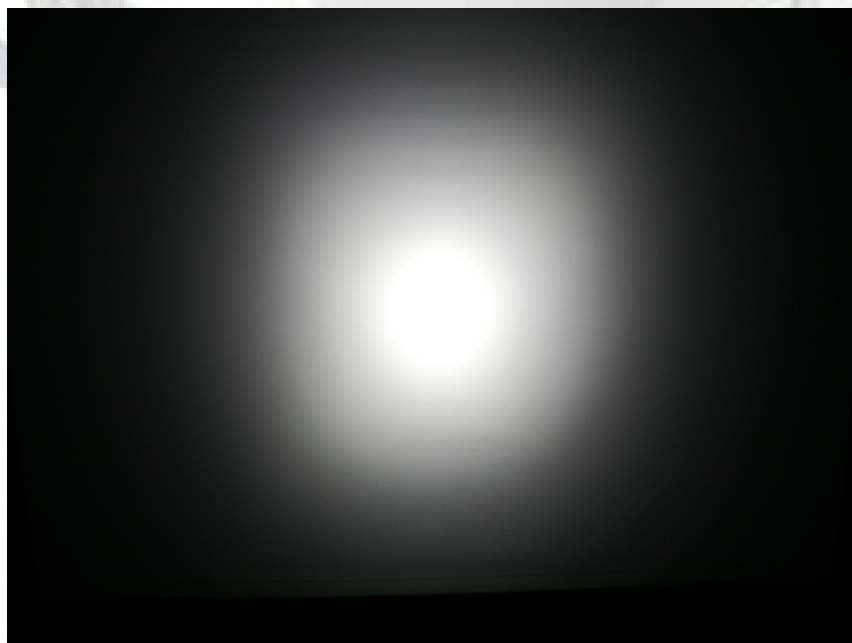
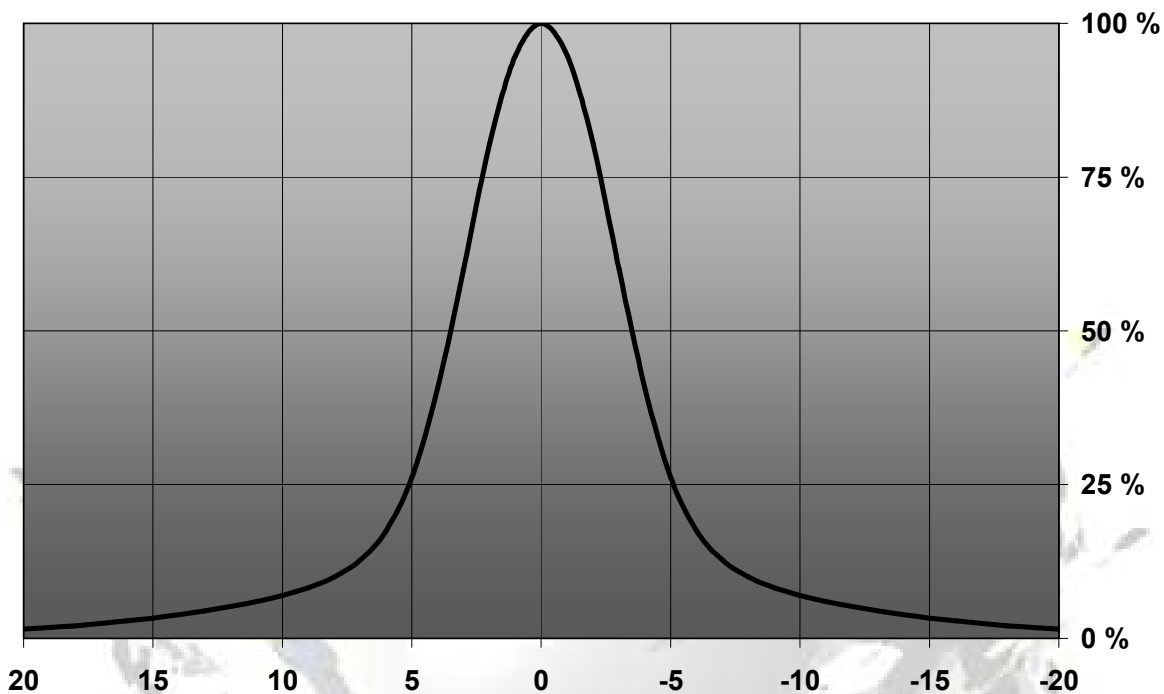
LENS TYPES

NAME	ORDERING CODE	FWHM Angle
HEIDI diffuser	CA11264_Heidi-D-OSL	±3.5°
HEIDI medium	CA11265_Heidi-M-OSL	±14°
HEIDI oval	CA11266_Heidi-O-OSL	±26°, ±5°
Heidi oval 90°	CA11267_Heidi-O-90-OSL	±26°, ±5°
Heidi wide	CA11268_Heidi-W-OSL	Coming soon

© Ledil Oy – Subject to change without prior notice

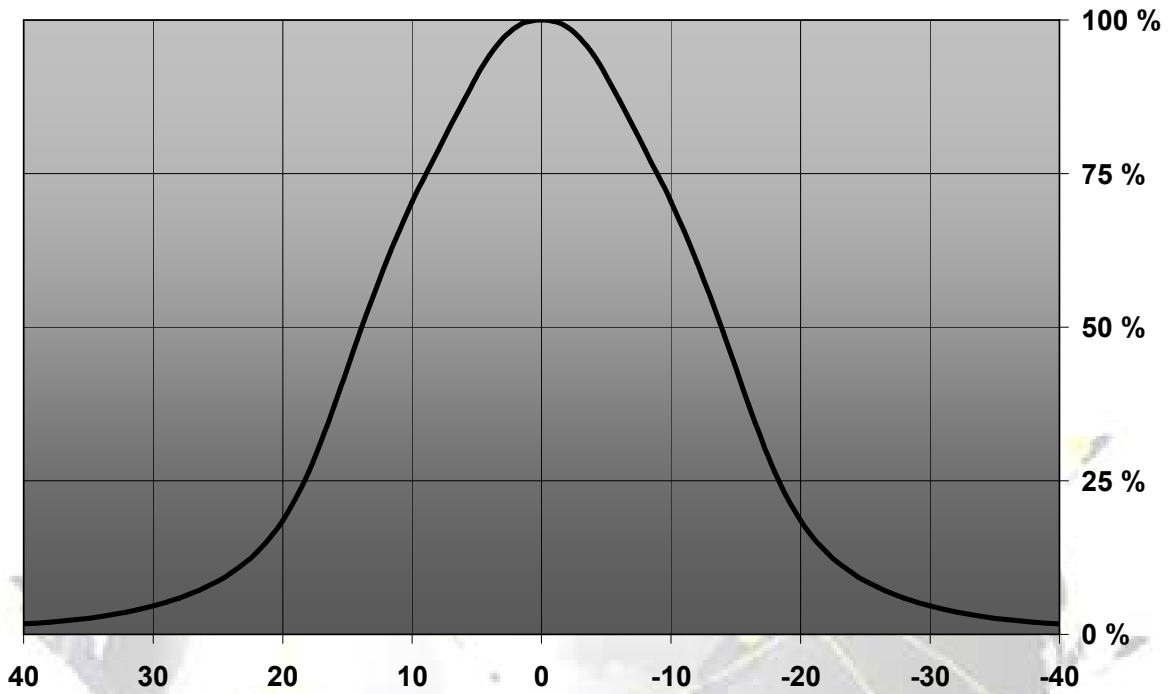
MEASUREMENTS

Relative Intensity of CA11264_Heidi-D-OSL



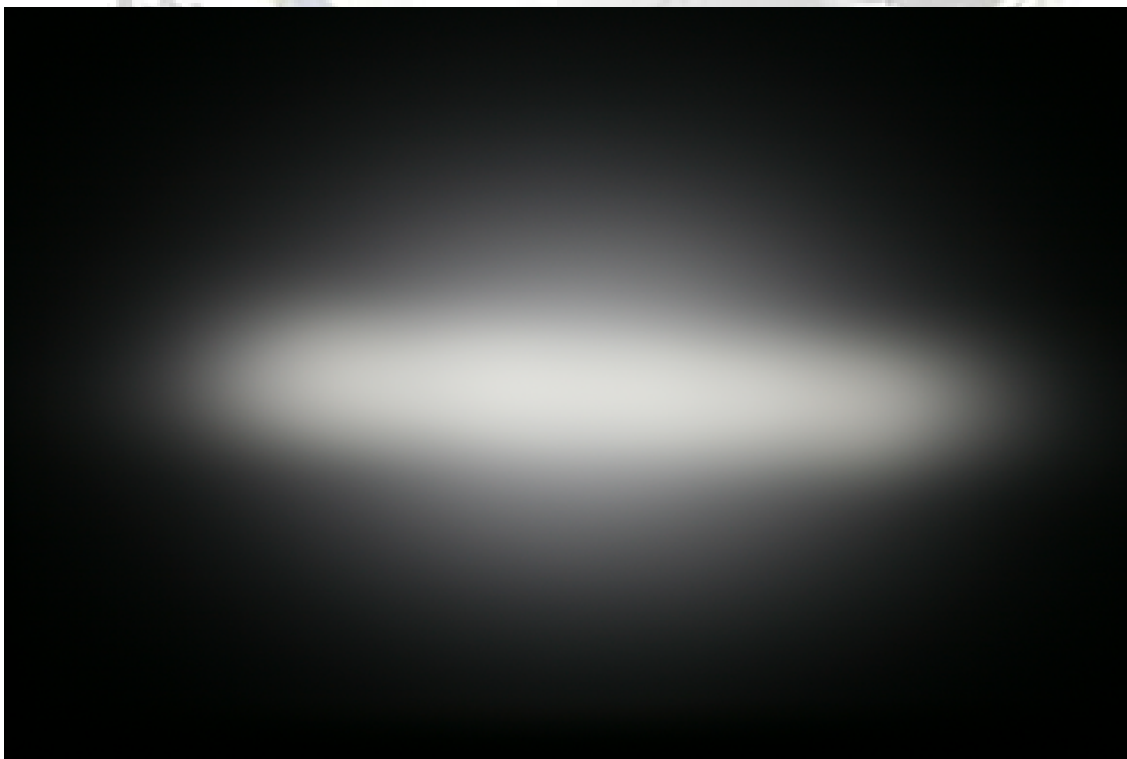
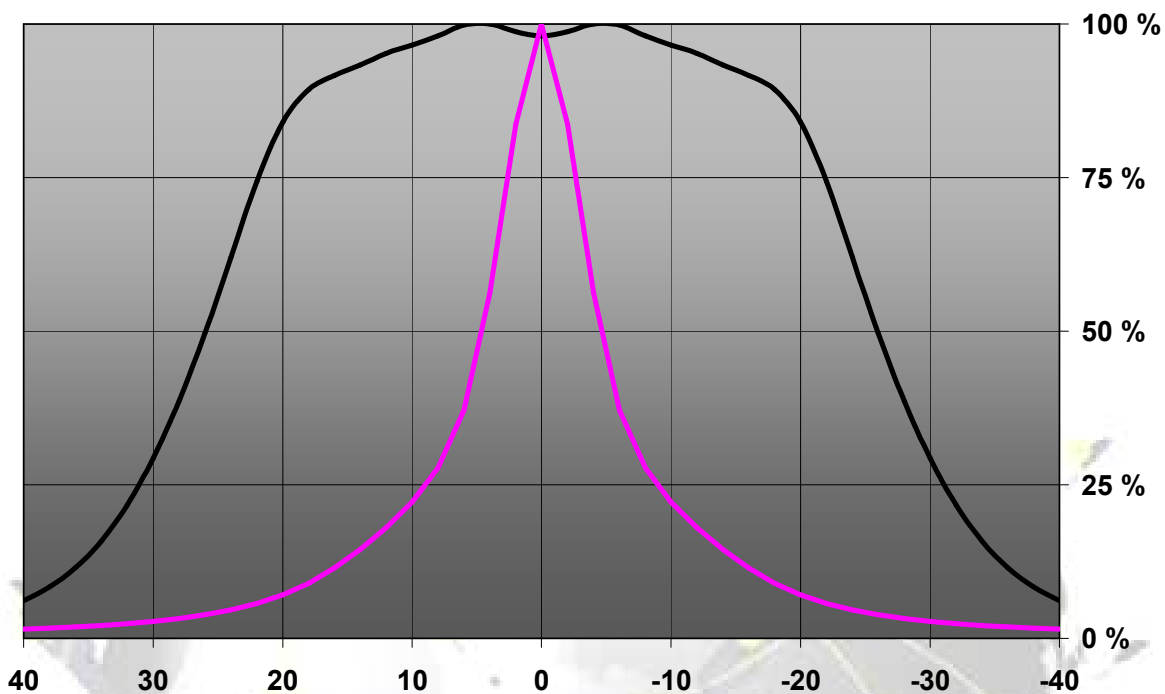
© Ledil Oy – Subject to change without prior notice

Relative Intensity of CA11265_Heidi-M-OSL



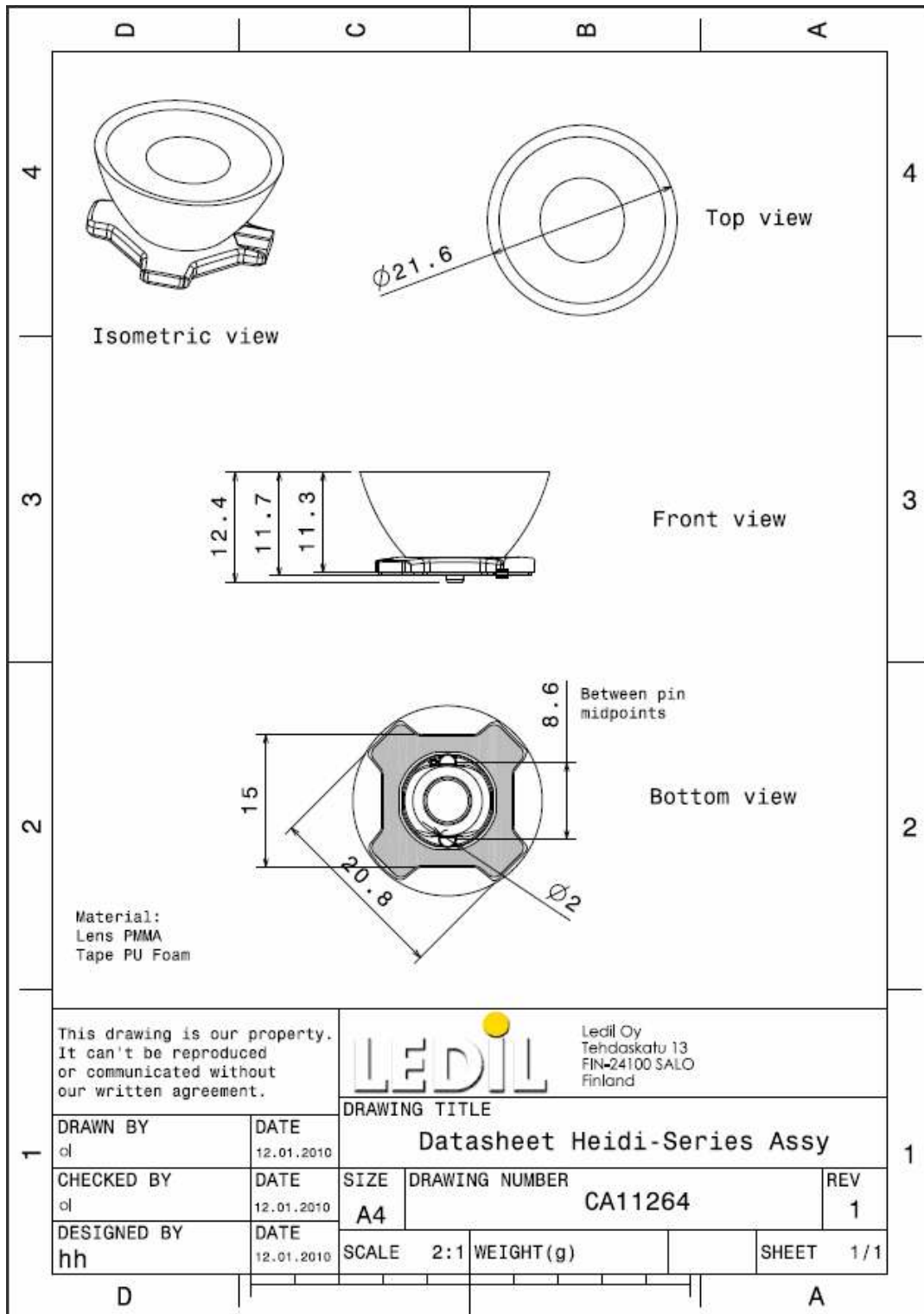
© Ledil Oy – Subject to change without prior notice

Relative Intensity of CA11266_Heidi-O-OSL



© Ledil Oy – Subject to change without prior notice

DRAWINGS



© Ledil Oy – Subject to change without prior notice