

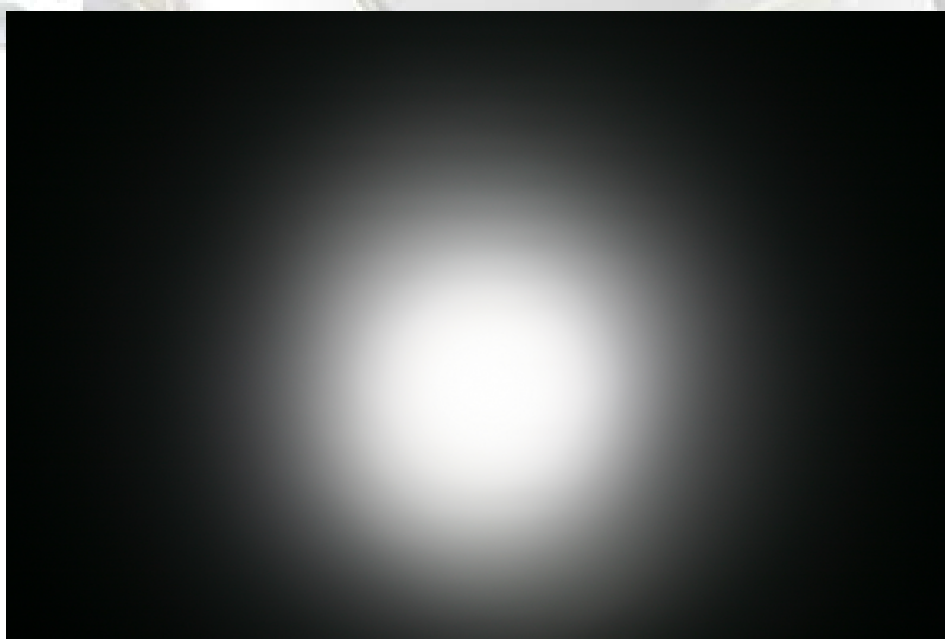
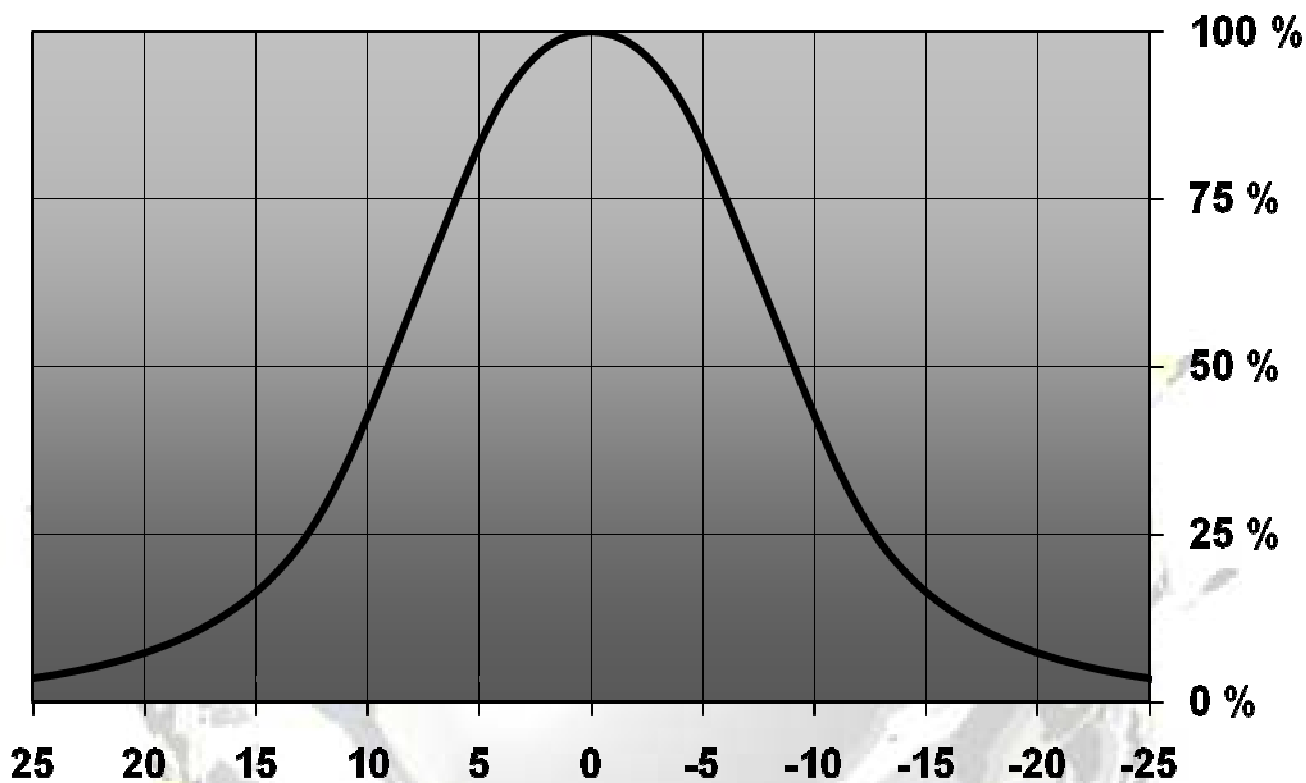
SATU-XP LENS FOR CREE XP-E LEDs



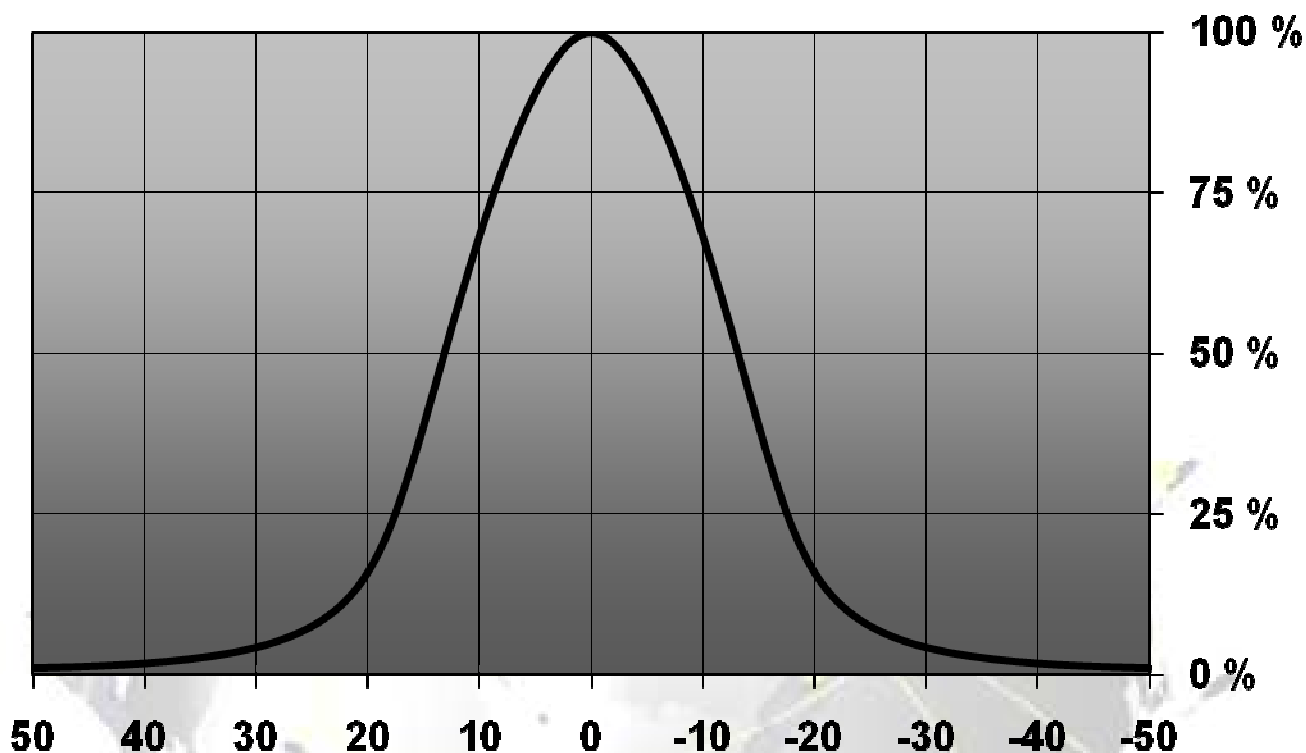
- Specially designed for Cree XP-E series of LEDs.
- Lens material optical grade PMMA with high UV and temperature resistance (105°C/220°F)
- High optical efficiency, >90%
- No lens holder. Fastening to heat sink with droplets of glue.
- Please check fastening details from this link:
(http://www.ledil.com/datasheets/DataSheet_GLUES.pdf)
- Very compact dimensions
- Diameter 21.8 mm

LENS TYPES

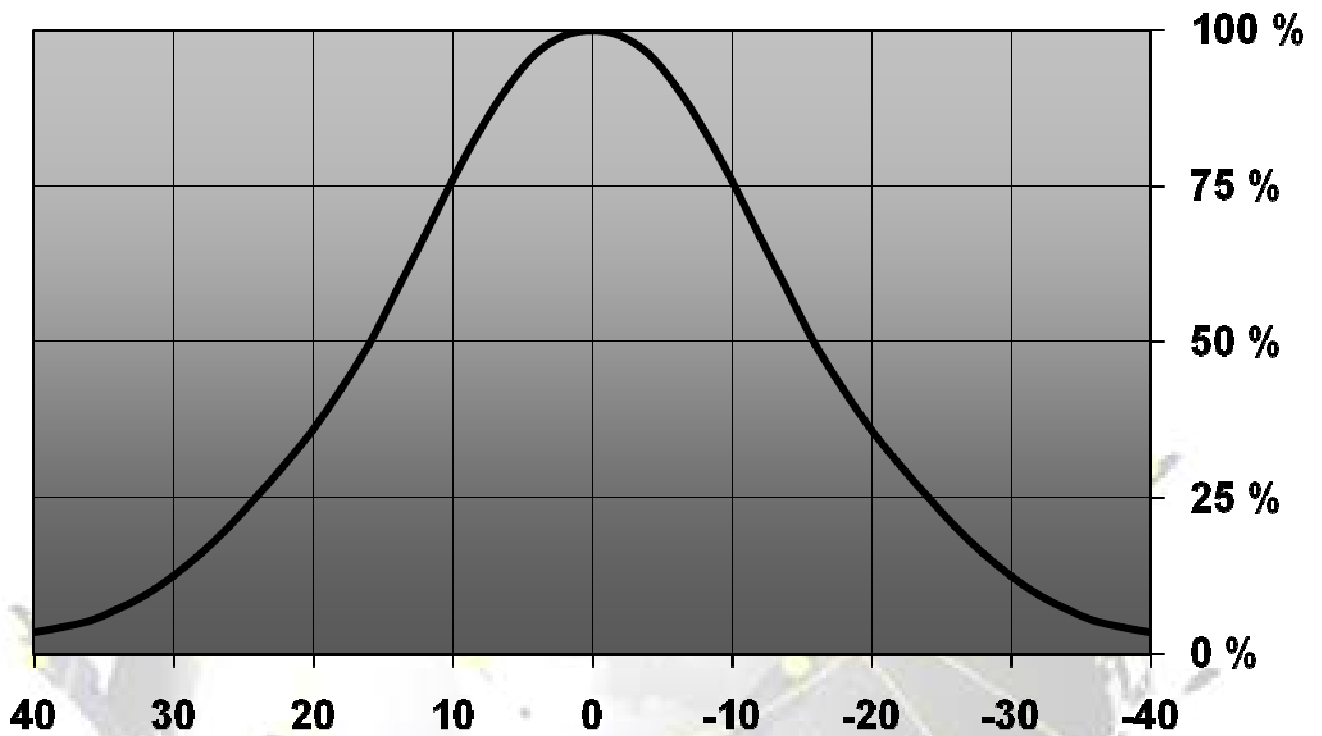
NAME	ORDERING CODE	FWHM Angle
SATU Spot	C11601_Satu-S-XP	±9°
SATU Medium	C11602_Satu-M-XP	±13°
SATU Wide	C11544_Satu-W-XP	±16°

MEASUREMENT DATA & PHOTOGRAPHS**Relative Intensity of C11754_Satu-S-XP**

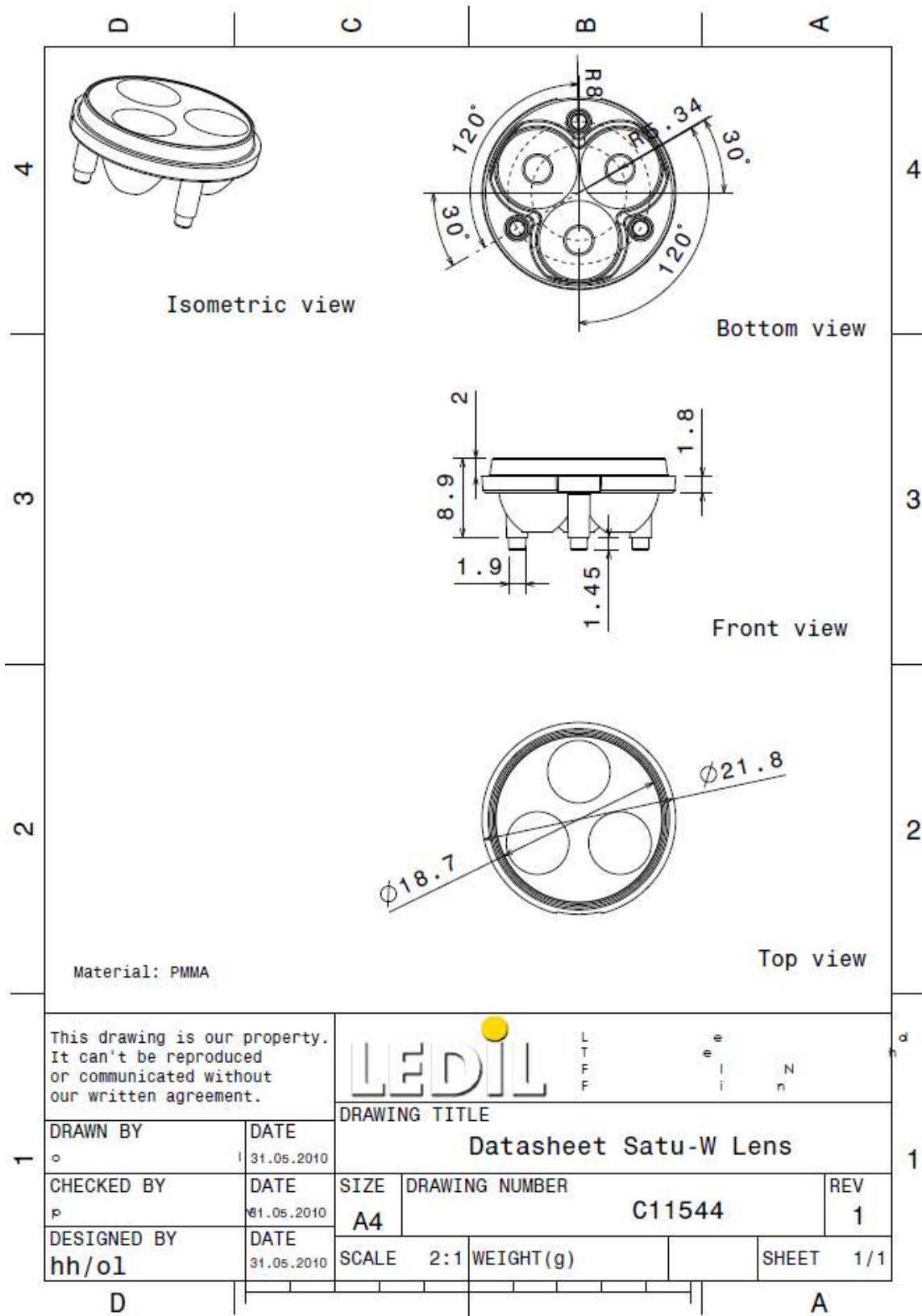
© Ledil Oy – PRELIMINARY - Subject to change without prior notice

Relative intensity of C11755_Satu-M-XP

© Ledil Oy – PRELIMINARY - Subject to change without prior notice

Relative intensity of C11544_Satu-W-RE

DRAWINGS



© Ledil Oy - PRELIMINARY - Subject to change without prior notice