



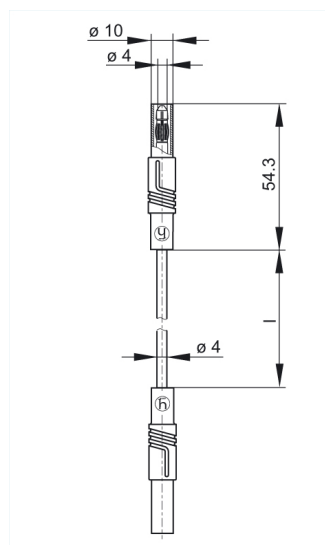
MLS GG 100/1 rot/red

Measuring and Testing Equipment: Measuring leads: 4 mm safety system

Product description

Description	Safety measuring lead, at either end 4 mm diameter safety connector with straight outlet and integrated kink protection. Nickel-plated copper beryllium contact spring. Highly flexible, double insulated stranded lead, shatter-proof grip sleeve and lead.
Type	MLS GG 100/1 rot/red
Order No.	934 074-101
System	4 mm safety system
Cable length	100 cm
Conductor size	1 mm ²
Cable material	PVC
Cable color	red
Housing Color	red
Other standard types	black color, order no. 934 074-100; blue color, order no. 934 074-102; yellow color, order no. 934 074-103; green color, order no. 934 074-104

Drawing



Technical data

Certificates	CE
Pin dimensions	4 mm
Type of contact	pin (spring loaded)

Type of termination	4 mm diameter pin
Cable type	LEH-XY
Cable specification	highly flexible lead
Wire stranding	259 x 0,07
Standard	IEC 61010
Rated voltage	AC/DC 1000 V
Measurement Category	CAT III
Rated current	16 A
Contact resistance	22 mOhm
Material	
Contact material	copper beryllium
Contact surface material	nickel-plated
Housing material	PA
Environmental conditions	
Temperature range	-15 °C to +70 °C
Inflammability class	
Cable	94 HB
Housing	94 V-2