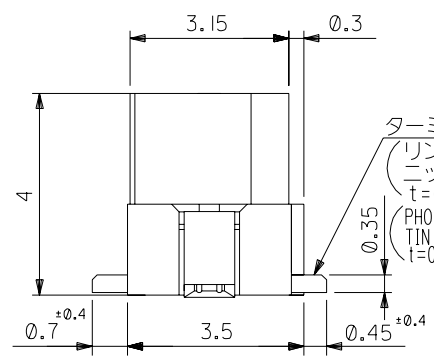
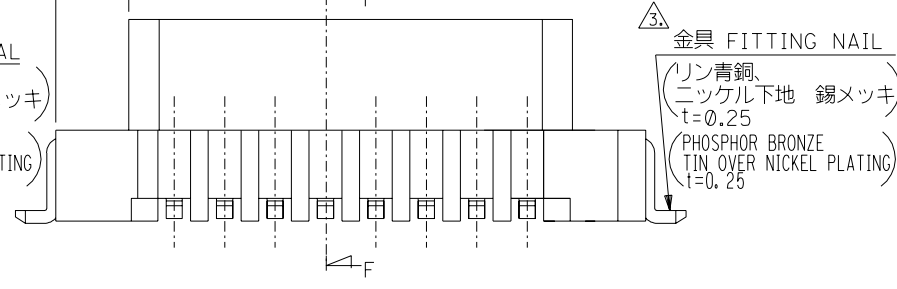


パターン参考寸法 (マウント面)
RECOMMENDED DIM. FOR P.C. BOARD MOUNTING PATTERN (REF.)



ターミナル TERMINAL
(リン青銅, ニッケル下地 錫メッキ)
t=0.32
(PHOSPHOR BRONZE TIN OVER NICKEL PLATING)
t=0.32



金具 FITTING NAIL
(リン青銅, ニッケル下地 錫メッキ)
t=0.25
(PHOSPHOR BRONZE TIN OVER NICKEL PLATING)
t=0.25

18.7	14	52365-3029	30
17.7	13	-2829	28
16.7	12	-2629	26
15.7	11	-2429	24
14.7	10	-2229	22
13.7	9	-2029	20
12.7	8	-1829	18
11.7	7	-1629	16
10.7	6	-1429	14
9.7	5	-1229	12
8.7	4	-1029	10
7.7	3	-0829	8
6.7	2	52365-0629	6
B	A	MATERIAL NO.	極数 CIRCUIT

注記 NOTES.

- 嵌合相手: 53268 シリーズ
MATES WITH: 53268 SERIES
- ハウジングの底面 [C] からの金具及びターミナル半田付面のズレ量は上方向0.1mmMAX. 下方向0.15mmMAX. とする。
MISALIGNMENT OF SOLDER TAIL TIP AND FITTING NAIL FROM [C]
: UPPER DIRECTION 0.1mmMAX.
: LOWER DIRECTION 0.15mmMAX.

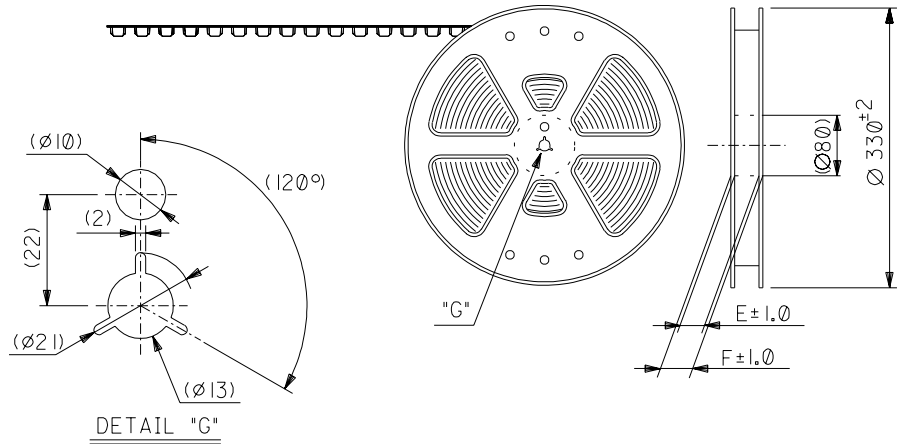
- パターンハクリ止め用金具
FITTING NAIL FOR PREVENTION OF PEELING OF P.C.B. PATTERN.
- 本製品は52365-**-20の鉛フリー品である。
THIS PRODUCT IS LEAD FREE OF 52365-**-20.

DO NOT SCALE DRAWING

EC NO. DRWN: CHK: APPR:	EC NO. DRWN: CHK: APPR:	EC NO. DRWN: CHK: APPR:	EC NO. DRWN: CHK: APPR:	EC NO. DRWN: CHK: APPR:	RELEASED EC NO. J2004-4092 DRWN: Y.WADA '04/05/07 CHK: M.SASAO '04/05/07 APPR: M.SASAO '04/05/07	MATERIAL 材料 ☑中参照 SEE DRAWING	GENERAL TOLERANCES: (UNLESS SPECIFIED) 一般公差	SCALE —#	MODEL NO. DESIGN UNITS ☑mm ☐INCH	52365-**-29	DIMENSIONS: THIRD ANGLE PROJECTION ☐mm ☐INCH ☐mm ONLY	SHT REV
							10 UNDER 未満 ±0.2	DRAWN BY & DATE Y.WADA '04/05/07		TITLE: 1.0 BOARD TO BOARD CONN. REC. HSG. ASS'Y SMT. -LEAD FREE-		
							10 OVER 30 UNDER 未満 ±0.25	CHECKED BY & DATE M.SASAO '04/05/07				
							30 OVER 以上 ±0.3	APPROVED BY & DATE M.SASAO '04/05/07				
							ANGLE 角度 ±3°	CAD FILENAME SD-52365-003.S01		MATERIAL NO. SEE CHART	DRAWING NO. SD-52365-003	SHEET NO. 1 OF 1
								THIS DRAWING CONTAINS INFORMATION THAT IS PROPRIETARY TO MOLEX INCORPORATED AND SHOULD NOT BE USED WITHOUT WRITTEN PERMISSION.			SIZE B	

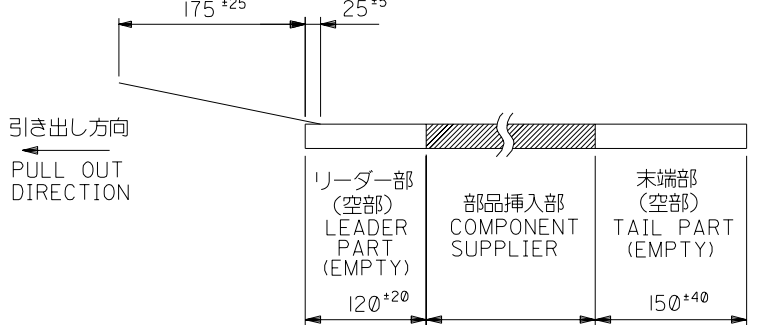
DWG. NO. SD-52365-004

引き出し方向
PULL OUT DIRECTION

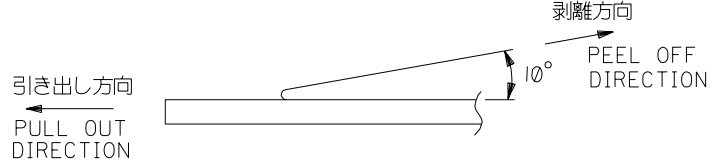


注記 NOTES

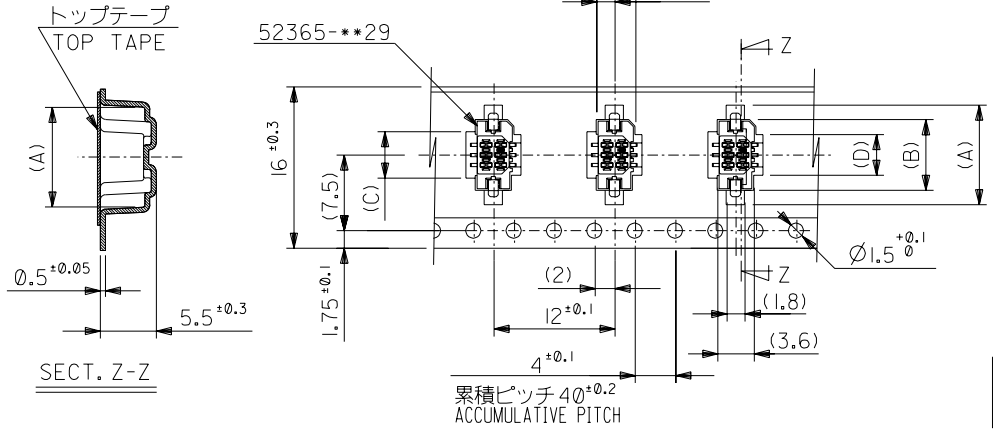
1. 梱包数量: 1000個/リール NUMBER OF CONNECTORS: 1000PCS/REEL
2. リードテープ長さ LEAD TAPE LENGTH
 トップテープ TOP TAPE トップテープ TOP TAPE
 リーダー部 LEADER PART 未接着部 NON-BONDED PART



3. トップテープの剥離強度: 0.1N ~ 1.3N {10gf ~ 130gf} (剥離方向は下図参照) 尚、本規格値は、出荷時に適用。(但し、輸送時に剥離が発生しない事。)
 PEELING OFF FORCE OF TOP TAPE: 0.1N ~ 1.3N {10gf ~ 130gf}
 (PEELING DIRECTION AS SHOWN IN FOLLOWING FIG.)
 THIS REQUIREMENT SHOULD BE APPLIED AT SHIPMENT
 PEEL OFF SHOULD NOT BE ALLOWED, DURING TRANSPORTATION



引き出し方向
PULL OUT DIRECTION



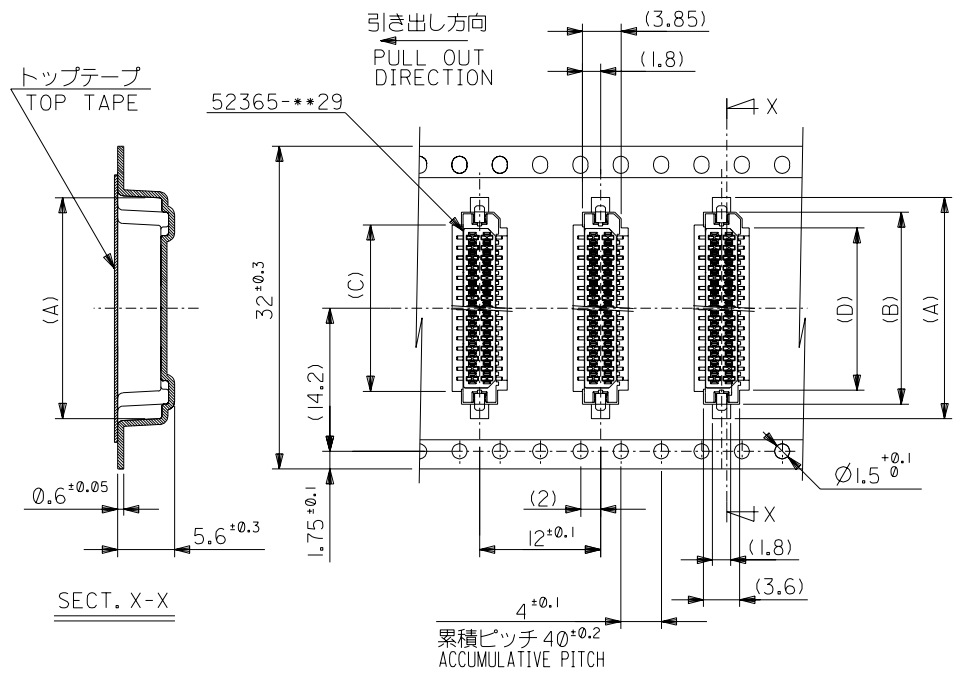
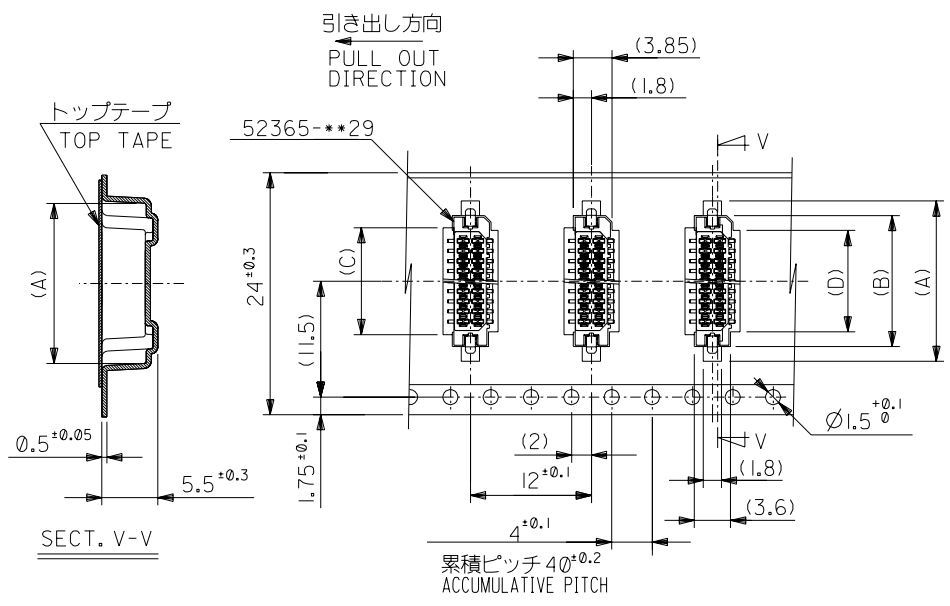
4. 材料
 キャリアテープ: ポリプロピレン (PP) MATERIAL CARRIER TAPE: POLYPROPYLENE
 トップテープ: PET, PE, PEF TOP TAPE: PET, PE, PEF
 リール: ポリスチレン (PS) REEL: POLYSTYRENE (PS)
 <リサイクル材を含む> <RECYCLE MATERIAL CONTAINED>
5. 本製品は 52365-**91 の鉛フリー品である。
 THIS PRODUCT IS LEAD FREE OF 52365-**91.

16	21.4	17.4	4.1	4.6	7	9.9	52365-0671	6
キャリアテープ幅 CARRIER TAPE WIDTH	F	E	(D)	(C)	(B)	(A)	MATERIAL NO.	極数 CIRCUIT

DO NOT SCALE DRAWING

EC NO. DRWN: CHK: APPR:	EC NO. DRWN: CHK: APPR:	EC NO. DRWN: CHK: APPR:	EC NO. DRWN: CHK: APPR:	EC NO. DRWN: CHK: APPR:	RELEASED EC NO. J2004-4092 DRWN: Y.WADA '04/05/07 CHK: M.SASAO '04/05/07 APPR: M.SASAO '04/05/07	MATERIAL 材料 注記参照 SEE NOTES	GENERAL TOLERANCES: (UNLESS SPECIFIED) 一般公差	SCALE —#	DESIGN UNITS <input checked="" type="checkbox"/> mm <input type="checkbox"/> INCH	MODEL NO. 52365-**-71	DIMENSIONS: <input type="checkbox"/> mm <input type="checkbox"/> INCH <input checked="" type="checkbox"/> mm ONLY	SHT REV
					DESCRIPTION	FINISH 仕上げ	10 UNDER 未満 ±0.2	DRAWN BY & DATE Y.WADA '04/05/07	TITLE: 1.0 B-To-B Hsg Assy Str SMT Embstp Pkg -LEAD FREE-			
					WIRE RANGE 適用電線範囲		10 OVER 30 UNDER 未満 ±0.25	CHECKED BY & DATE M.SASAO '04/05/07				
					INS. RANGE 被覆外径		30 OVER 以上 ±0.3	APPROVED BY & DATE M.SASAO '04/05/07	MOLEX MOLEX INCORPORATED			
					REV		ANGLE 角度 ±3°	CAD FILENAME SD-52365-004.S01	MATERIAL NO. SEE CHART	DRAWING NO. SD-52365-004	SHEET NO. 1 OF 2	

THIS DRAWING CONTAINS INFORMATION THAT IS PROPRIETARY TO MOLEX INCORPORATED AND SHOULD NOT BE USED WITHOUT WRITTEN PERMISSION. SIZE B



32	37.4	33.4	16.1	16.5	19.05	21.95	52365-3071	30
			15.1	15.5	18.05	20.95	52365-2871	28
			14.1	14.5	17.05	19.95	52365-2671	26
			13.1	13.5	16.05	18.95	52365-2471	24
24	29.4	25.4	12.1	12.6	15	17.9	52365-2271	22
			11.1	11.6	14	16.9	52365-2071	20
			10.1	10.6	13	15.9	52365-1871	18
			9.1	9.6	12	14.9	52365-1671	16
			8.1	8.6	11	13.9	52365-1471	14
			7.1	7.6	10	12.9	52365-1271	12
			6.1	6.6	9	11.9	52365-1071	10
			5.1	5.6	8	10.9	52365-0871	8
キャリアテープ幅 CARRIER TAPE WIDTH	F	E	(D)	(C)	(B)	(A)	MATERIAL NO.	極数 CIRCUIT

DO NOT SCALE DRAWING

EC NO. DRWN: CHK: APPR:	EC NO. DRWN: CHK: APPR:	EC NO. DRWN: CHK: APPR:	EC NO. DRWN: CHK: APPR:	EC NO. DRWN: CHK: APPR:	RELEASED EC NO. J2004-4092 DRWN: Y.WADA '04/05/07 CHK: M.SASAO '04/05/07 APPR: M.SASAO '04/05/07	MATERIAL 材料 SHEET 1 OF 2 参照 REFER TO SHEET 1 OF 2	GENERAL TOLERANCES: (UNLESS SPECIFIED) 一般公差	SCALE — #	MODEL NO. DESIGN UNITS THIRD ANGLE PROJECTION	52365-***71 DIMENSIONS: mm INCH mm INCH mm ONLY	SHT REV
						FINISH 仕上げ	10 UNDER 未満	DRAWN BY & DATE Y.WADA '04/05/07	TITLE: 1.0 B-To-B Hsg Assy Str SMT Embstp Pkg -LEAD FREE-		
						WIRE RANGE 適用電線範囲	10 OVER 30 UNDER 以上 未満	CHECKED BY & DATE M.SASAO '04/05/07	MOLEX MOLEX INCORPORATED		
						INS. RANGE 被覆外径	30 OVER 以上	APPROVED BY & DATE M.SASAO '04/05/07		CAD FILENAME SD-52365-004.S02	MATERIAL NO. SEE CHART
							ANGLE 角度	3°	THIS DRAWING CONTAINS INFORMATION THAT IS PROPRIETARY TO MOLEX INCORPORATED AND SHOULD NOT BE USED WITHOUT WRITTEN PERMISSION.		SIZE B