

CUSTOMER

Y02

# Approval Sheet

DESIGNED NO.: SWITCHING POWER SUPPLIES




MODEL NO.: 3A-181WP24

ENG NO.: @3A-181WP24-029

APPROVAL		

Remark: 1).Please approve and sign back to ENG ELEC.

2).If there is no signing back,this Approval sheet will be regarded as being approved automaticly once the first P.O. of the model specified in the sheet is issued.

SUPPLIER		
DESIGN	CHECKED	APPROVED
		



英格爾

英格爾科技股份有限公司

ENG ELECTRIC CO., LTD.

台灣省桃園縣龜山鄉民生北路1段536號5樓

5F,NO.536,Sec.1.Min Sheng N.Rd;Kweishan Hsiang,Taoyuan Hsien,Taiwan,R.O.C.

TEL: 886-3-2121133, 886-3-212199

FAX: 886-3-2121561

深圳英格爾電子有限公司

SHENZHEN ENG ELECTRONICS CO., LTD.

深圳市寶安區福永鎮白石廈中核集團B棟

Block B, Nuclear Group Industrial District, Baishixia, Fuyong Town, Bao'an, Shen Zhen China

TEL: 86-755-27307512,27307515,27308750,27308755,27307208,27308202

FAX: 86-755-27308049





# SHENZHEN ENG ELECTRONICS CO., LTD.

FILE NO.: EN-RDS-6232

FILE: @3A-181WP24-02

產品承認書

SHEET: 01

## 1 Product Characteristics:

### 1.1 General Description

Model 3A-181WP24 is a universal switching-mode power supply, operating at input voltage 90VAC to 255VAC and output voltage of 24VDC with 0.75A DC load

### 1.2 Electric Characteristics

#### 1.2.1 Input

No	ITEM	SPECIFICATION
1.	Rated input Voltage	AC100V-240V
	Vibration input Voltage Range	AC90V-255V
2.	Frequency Rated	50-60Hz
	Frequency Vibration	47-63Hz
3.	Input Rated Current	600mA RMS Max
	Inrush Current	30A Max .at 115vac cool start
		60A Max. at 230vac cool start
4.	Leakage current	0.25mA
5.	Efficiency	60% Min.

# SHENZHEN ENG ELECTRONICS CO., LTD.

FILE NO.: EN-RDS-6232

FILE: @3A-181WP24-029

產品承認書

SHEET: 02

## 1.2.2 Output:

No	ITEM	V1
1.	output Voltage	24VDC
2.	output max. current	0.75A
3.	output min. Current	0A
4.	Line regulation	± 1%
5.	Load regulation	± 5%
6.	Over voltage protection	25.6 to 28.3 DC(output shut down)
7.	Short circuit protection	Output shut down and auto restart
8.	Ripple Voltage (L.F.)	250mV (p-p) (100V-240VAC Input)

## 1.2.3 HI-POT SPECIFICATION

Input to output : 3000VAC or 4242VDC 10mA 1 minute.

## 1.2.4 Insulation resistance:

Input to output: 500vdc to test the input to output resistance not be less 100M ohm

## 1.2.5 Safety approved UL,CUL,CE,TUV;

## 1.2.6 EMI standard : meet FCC class B , CE ,VCCI – II

## 1.2.7 PB-free stand:<<ENG-EHSM-M 009>>

# SHENZHEN ENG ELECTRONICS CO., LTD.

FILE NO.: EN-RDS-6232

FILE: @3A-181WP24-029

產品承認書

SHEET: 03

---

## 1.3 Mechanical Characteristics

1.3.1 AC Plug : Interchangeable PIN(UL,BS,VDE,SAA)

1.3.2 DC cord:

(1) Bending test: Life 1000 times 100% guarantee. Swings 120 from

Left to right loading weight 500g , 40 cycle/minute.

(2) Pull test : DC cord and plug ,weight 6kg for 1 minute.

1.3.3 Cord length and output plug: See Reference Att.4

1.3.4 Weight : \_\_\_\_\_ g

1.3.5 Case Size: (L)74 X (W) 43.5X (H) 34mm

1.3.6 Normal operating temperature and humidity

1.3.7 Temperature

Operating: 0°C to 40°C

Storage : -10°C to 70°C

1.3.8 Humidity

Operating : 20% to 80%.

Storage: 10% to 90%

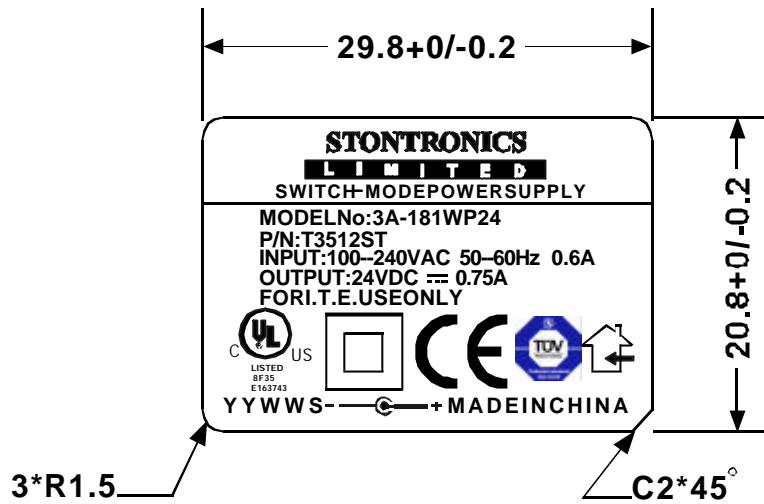
# SHENZHEN ENG ELECTRONICS CO., LTD.

FILE NO.: EN-RDS-6232    FILE: @3A-181WP24-029    產品承認書    SHEET: 04

---

## 2.Attachment:

- (Att.1)    Label
- (Att.2)    Outdrawing
- (Att.3)    Package
- (Att.3.1)    Package flow chart
- (Att.4)    Dc cord drawing



UNIT: mm

YYWW S YY:YEAR WW:WEEK S:FU YONG

ALUMINUMNAMEPLATE: ○ BLACKWORD ONSILVER BASE

○ SILVER WORD ONBLACK BASE

METALIZEDPOLYESTER: ● BLACKWORDONSILVER BASE

(SILVER MATTE) ○ SILVERWORDONBLACK BASE

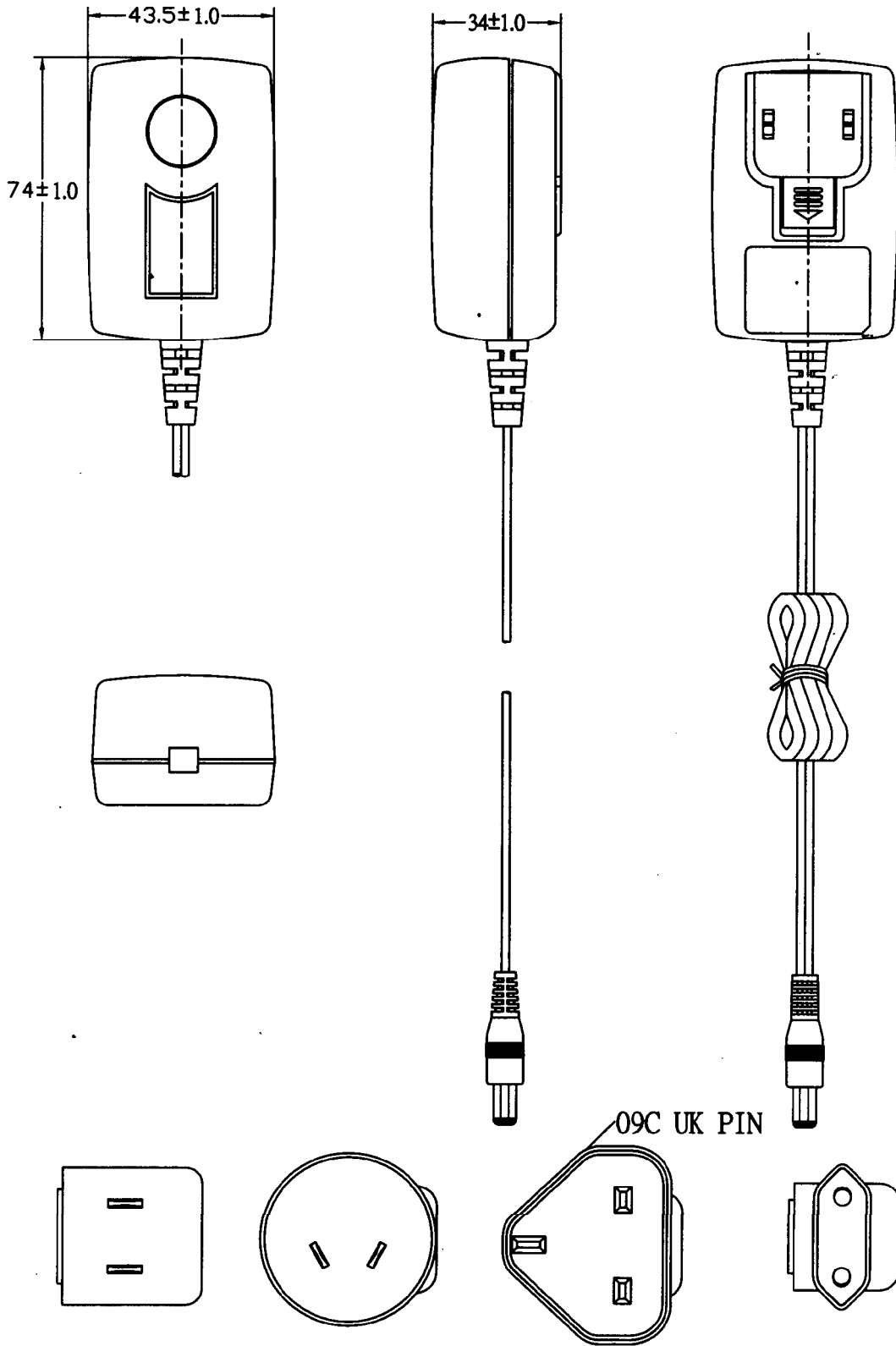
@3A-181WP24-029

TOLERANCE				

DESIGNED	CHECKED	APPROVED	TITLE		DATE
<i>Lipf</i>			LABEL		
			UNITS	mm	DRAWINGNo.
			SCALE	2:1	NOY02-0064
ENG ELECTRICS CO., LTD.			DRAWINGNAME		REVISION
			1007		01



Att.2



TOLERANCE				

DESIGNED	CHECKED	APPROVED		TITLE	DATE
Lipp				UNITS	OUTDRAWING
ENG ELECTRIC CO; LTD			mm	DRAWING No.	REVISION
			SCALE	@3A-181WP24-029	
				DRAWING NAME	
				100721	

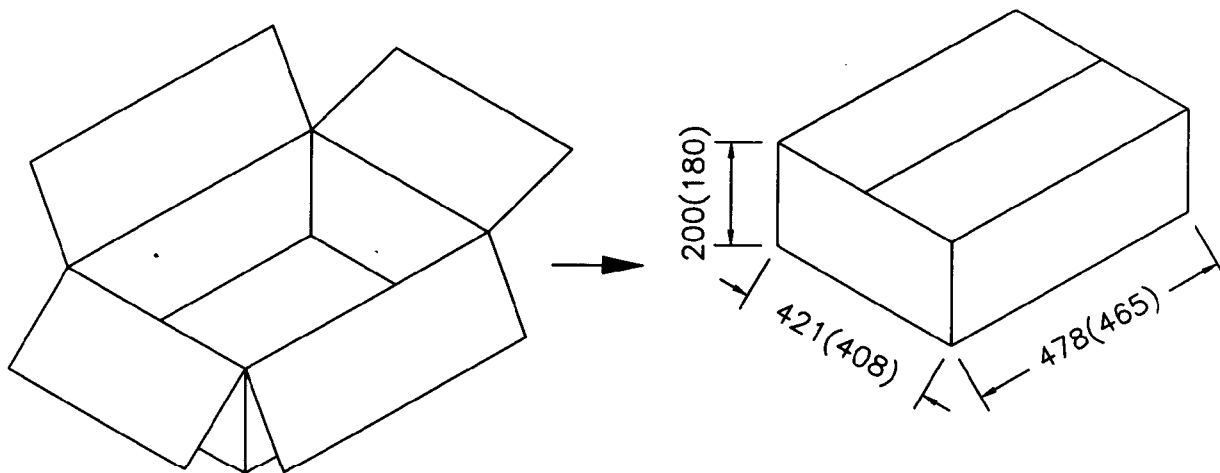
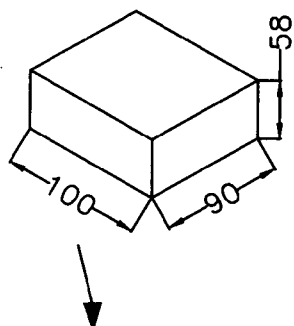
Att.3

CARTON SIZE: 478X421X200mm

外箱尺寸 478X421X200mm

Q'TY: 60pcs(20x3)

数量 60pcs(20x3)

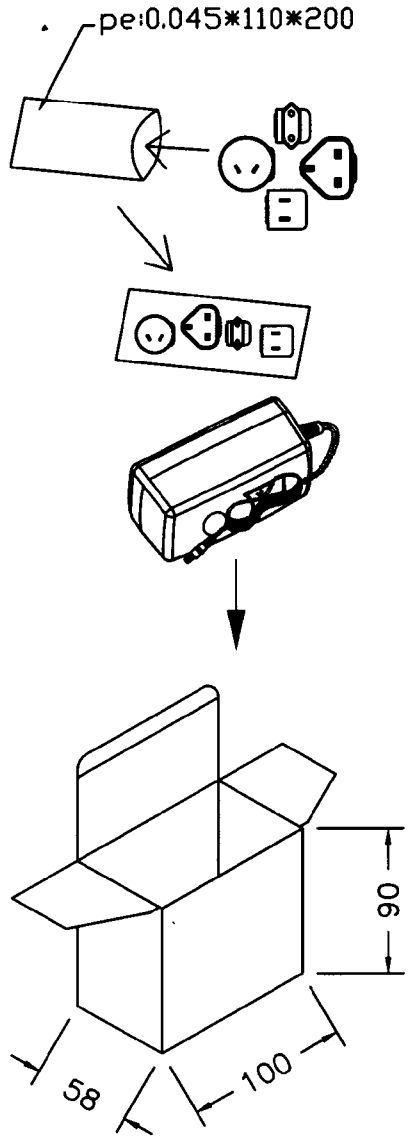


The tolerance of the internal dimensions of the carton is +7/-0

纸箱内度尺寸公差为+7/-0

TOLERANCE				

DESIGNED	CHECKED	APPROVED	UNITS		TITLE	DATE
Lipp			mm	mm	PACKAGE	05/01/18
ENG ELECTRIC CO; LTD					DRAWING No. P13-2030-H-50	REVISION 01
					DRAWING NAME 13-2030-H-50	



White Box: NO.13

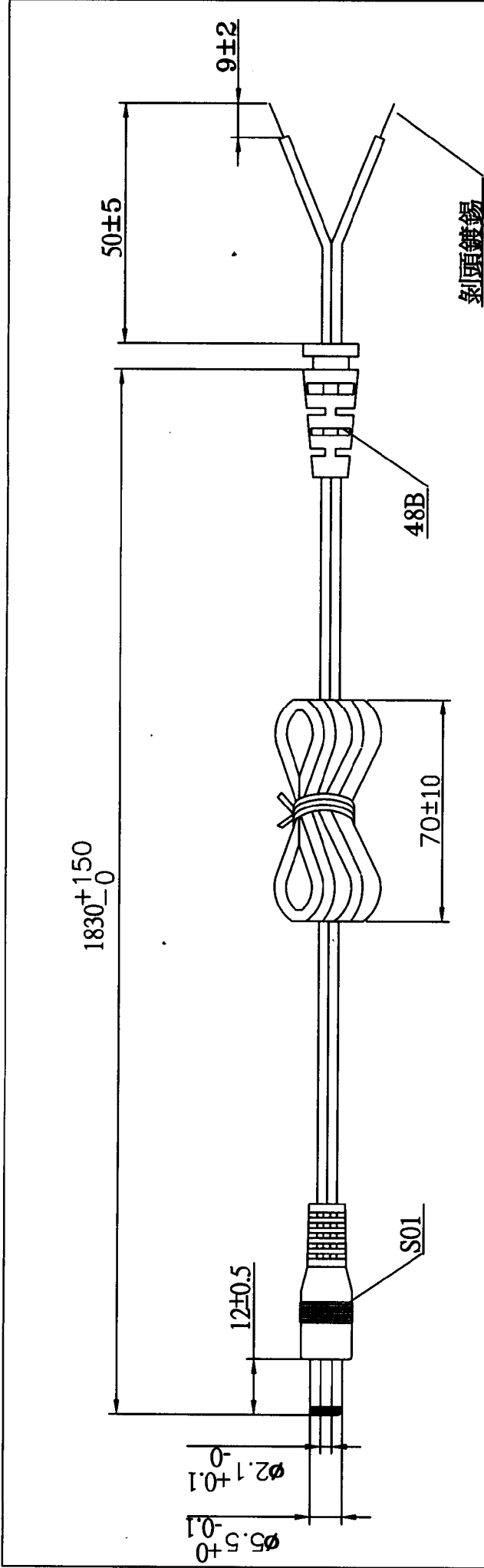
小礼盒号码 13#

The tolerance of the external dimensions of the white box is  $\pm 1$   
 小禮盒外度尺寸公差为  $\pm 1$

TOLERANCE				

DESIGNED	CHECKED	APPROVED		TITLE	DATE	
<i>Lip</i>				TITLE	PACKAGE FLOW CHART	DATE
ENG ELECTRIC CO; LTD			UNITS	mm	DRAWING No.	05/01/18
			SCALE		@3A-181WP24-029	
				DRAWING NAME	REVISION	
				13#	01	

Att.4



#20AWG X2C UL2468 有字接外 無字接內

線材OD:  $\phi 1.9 \times 3.8$



TOLERANCE	

制作參數要求	a. $\pm 60'$ b. 吊重200g WEIGHT 200g c. 40回/分 40 ROUND/MINUTE d. 1000次/最少 OVER 1000 COUNT MIN
搖擺測試 VIBRATION TEST	

DESIGNED	Liyy	CHECKED		APPROVED			TITLE	DC CORD	DATE	05/01/18	
						UNITS	mm	DRAWING No.	@3A-181WP24-029	REVISION	01
						SCALE		DRAWING NAME	31-48BS01-03B-00		
ENG ELECTRIC CO; LTD											