

## Professional Power Tools

### Cordless Tools

- 14.4-V System (Compact Power)
- 18-V System (Allround Power)
- 24-V System (Max Power)
- Cordless Rotary Hammers
- Cordless Drill/Drivers (Heavy Duty)
  - GSR 36 V-Li
  - GSR 24 VE-2
  - GSR 18 VE-2
  - GSR 14.4 VE-2
  - GSR 12 VE-2

### Cordless Drill/Drivers (Standard Duty)

- Cordless Planers
- Cordless Circular Saws
- Cordless Torches
- Cordless Li-Ion Screwdrivers
- Cordless Sabre Saws
- Cordless Combis
- Cordless Impact Driver
- Cordless Jigsaws
- Cordless Angle Grinders
- Radio Chargers
- 14.4 V Power Sets
- 18 V Power Sets
- 24 V Power Sets

### Drills & Impact Drills

### Screwdrivers & Impact Wrenches

### Rotary Hammers & Demolition Hammers

### Diamond Technology

### Angle Grinders & Metalworking

### Sanders & Planers

### Routers

### Saws

### Bench-mounted tools

### Digital Measuring Tools

### Dust Extraction Systems, Heat Guns & Glue Guns

## GSR 12 VE-2 Professional


[Enlarge](#)

### Heavy Duty Cordless Drill/Driver GSR 12 VE-2 Professional

#### Sturdy and powerful

- High torques of up to 65 Nm thanks to the Bosch high-performance motor
- Long lifetime and ideal power transfer thanks to 2-speed planetary gears with solid metal planet wheels
- Fully functional after a 2-m drop onto concrete thanks to the "Dura-Shield" housing

#### Other advantages

- 15 torque settings and a drill setting
- Carbon brushes that can be changed externally
- Single-sleeve quick-change chuck with Auto-Lock and click acoustics
- Ergonomic centre grip and switch with softgrip
- Forward/reverse rotation
- Lock-on switch
- Run-out brake

#### Comes with:

- Quick charger AL 1450 DV (2 607 224 704)
- 2 x 2.6 Ah NiMH battery pack (2 607 335 684)
- Carrying case (2 605 438 535)
- Keyless chuck (2 608 572 182)

**Part No.:** 0 601 912 K70

[▶ Compare with similar products](#)

### Service



Appropriate accessories

Product comparison



Operating instructions

### Quick search

- [▶ Start search](#)
- [▶ Advanced search](#)
- [▶ Tips for searching](#)

### Technical details

#### GSR 12 VE-2 Professional

#### Technical data

- Torque, max. (hard screwdriving applications): 65 Nm
- No-load speed, 1st gear: 0 – 400 rpm
- No-load speed, 2nd gear: 0 – 1.400 rpm
- Torque setting range, min./max.: 2 / 10 Nm
- Torque, max. (soft screwdriving applications): 26 Nm
- Chuck jaw width, min./max.: 1,5 / 13 mm
- Drill spindle thread: 1/2"
- Battery voltage: 12 V
- Battery capacity: 2,6 Ah
- Weight including battery, approx.: 2,30 kg
- Quick change chucks: 13 mm
- Charging time, approx.: 30 min
- Torque settings: 15+1
- Length: 256,0 mm
- Height: 260,0 mm

#### Drilling diameter

- Max. drilling diameter in wood: 32 mm
- Max. drilling diameter in steel: 13 mm

#### Screw diameter

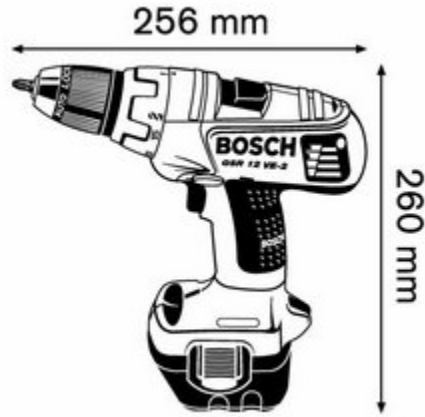
- Max. screw diameter: 8 mm

► Recommend product



---

Dimensional drawing



---

▲ To top of page