

1 2 3 4 5 6

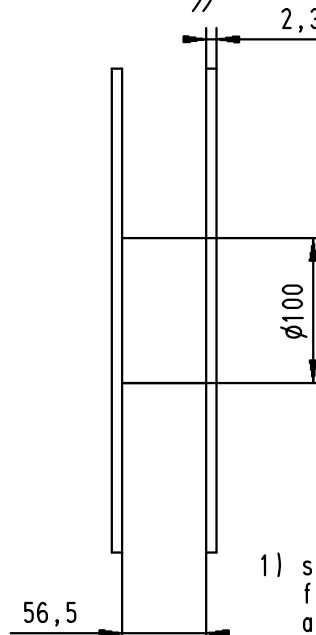
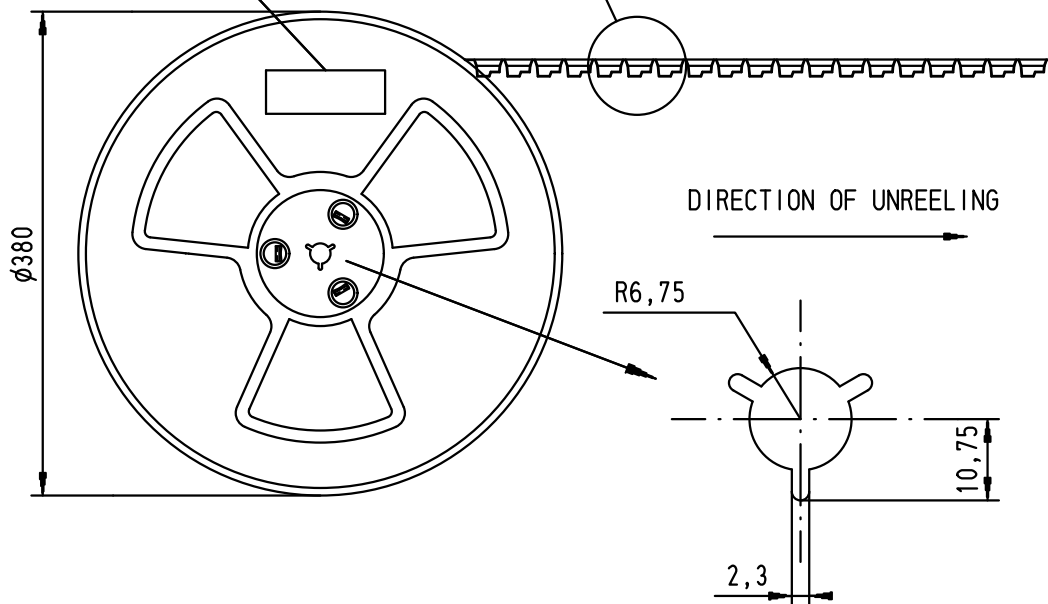
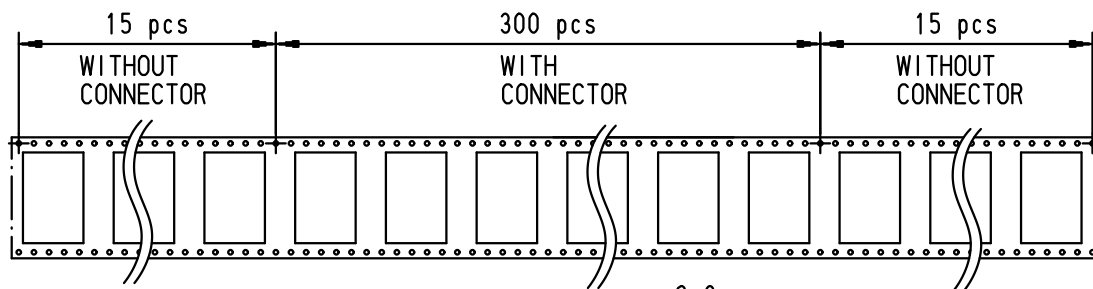
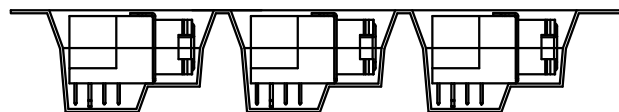
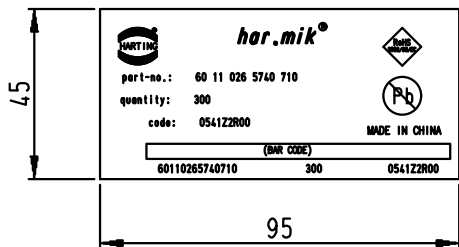
A

B

C

D

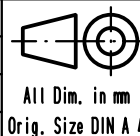
REEL LABEL



1) see TB 60 11 026 5740 folio 1/2 for connector dimensions and PC-Board layout

Packaging in accordance with EIA 481-2-A tape & reel packaging for gripping process

					Dot.	Name
					Detail.	06-OCT-05 JB
					Insp.	
					Stand.	



har.mik® I/O bellow
26 poles female SMC
with angled solder pins,
boardlocks, fixed latches
in reel unit packaging

Maßstab/
Scale

60 11 026 5740.710	in reel unit packaging 300 connectors
part number	index designation

33470	03-MAY-06	JB
33230	06-OCT-05	JB
Mod.	Dot.	Name

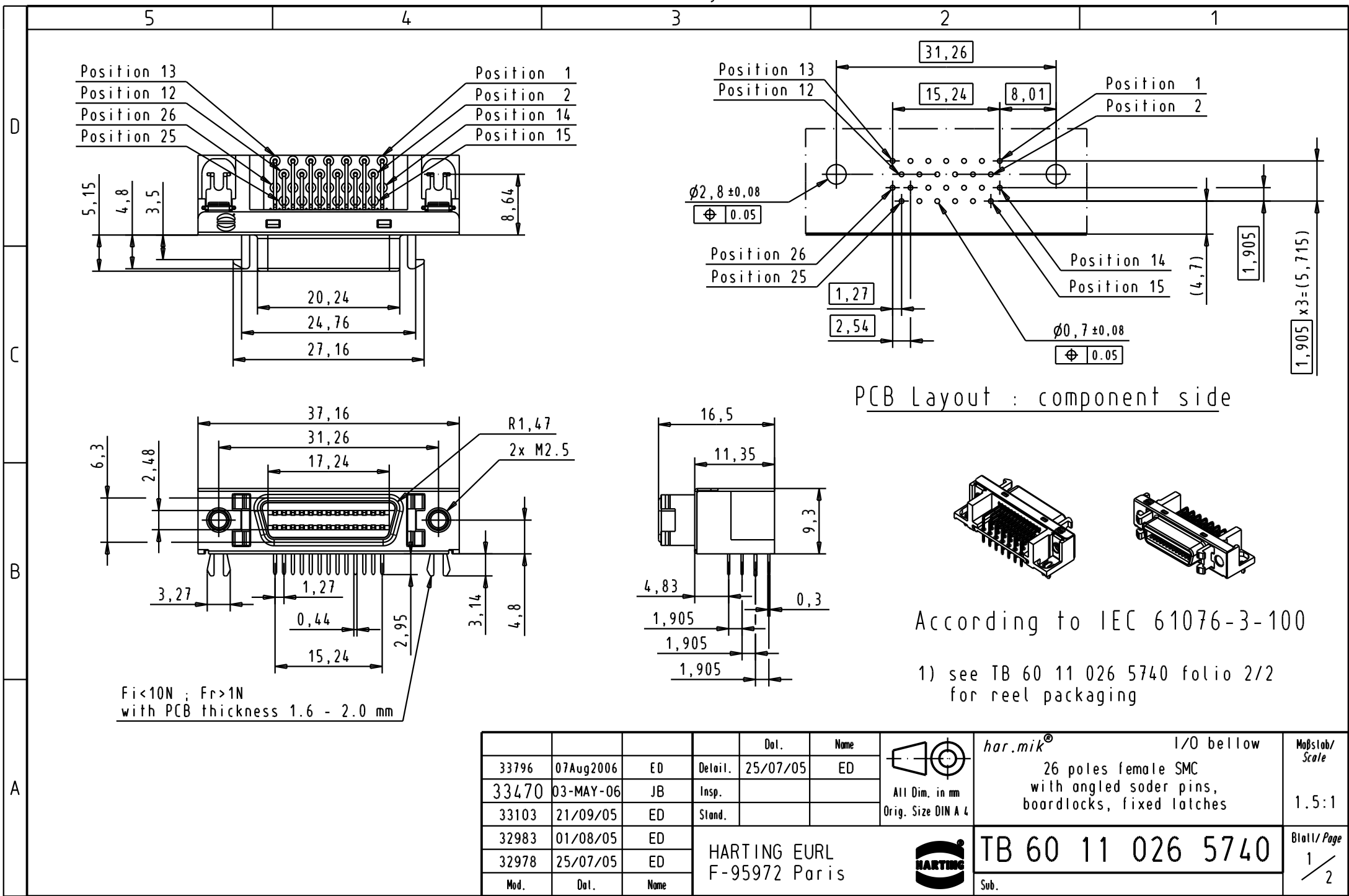
HARTING EURL
F-95972 Paris



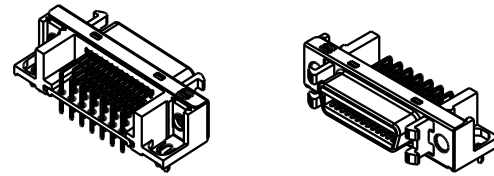
TB 60 11 026 5740

Sub.

Blatt/ Page
2 / 2



PCB Layout : component side



According to IEC 61076-3-100

1) see TB 60 11 026 5740 folio 2/2 for reel packaging

$F_i < 10N$; $F_r > 1N$
with PCB thickness 1.6 - 2.0 mm

Mod.	Dat.	Name	Dat.	Name		har.mik®	I/O bellow	Maßstab/ Scale			
33796	07Aug2006	ED	Detail.	25/07/05	ED	<p>All Dim. in mm Orig. Size DIN A 4</p>	26 poles female SMC with angled solder pins, boardlocks, fixed latches	1.5:1			
33470	03-MAY-06	JB	Insp.								
33103	21/09/05	ED	Stand.								
32983	01/08/05	ED	HARTING EUROL F-95972 Paris							TB 60 11 026 5740	Blatt/ Page 1 / 2
32978	25/07/05	ED									
						Sub.					