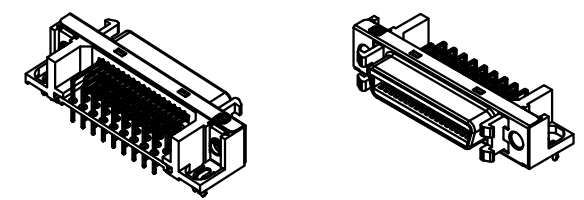
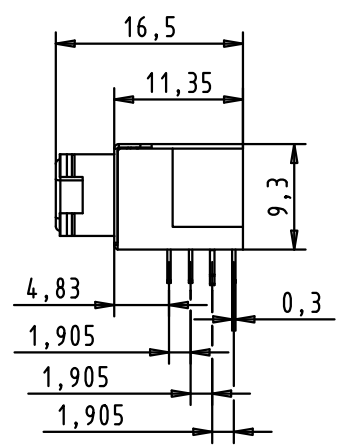
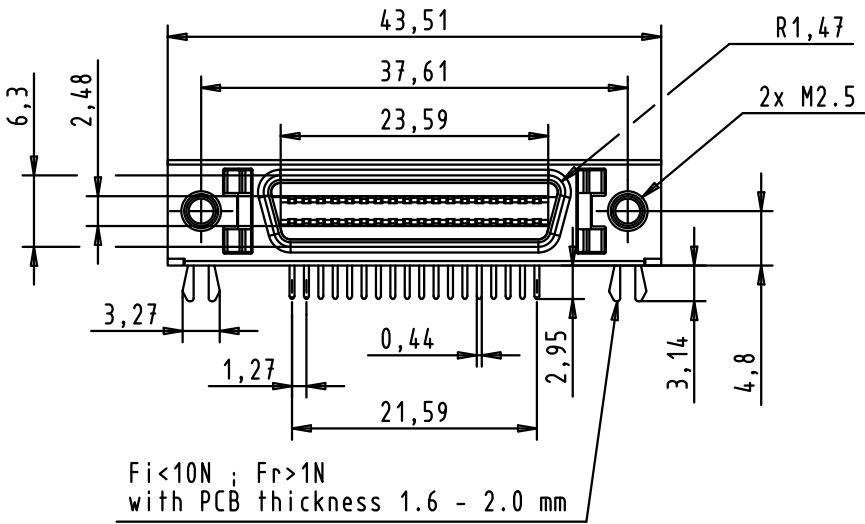
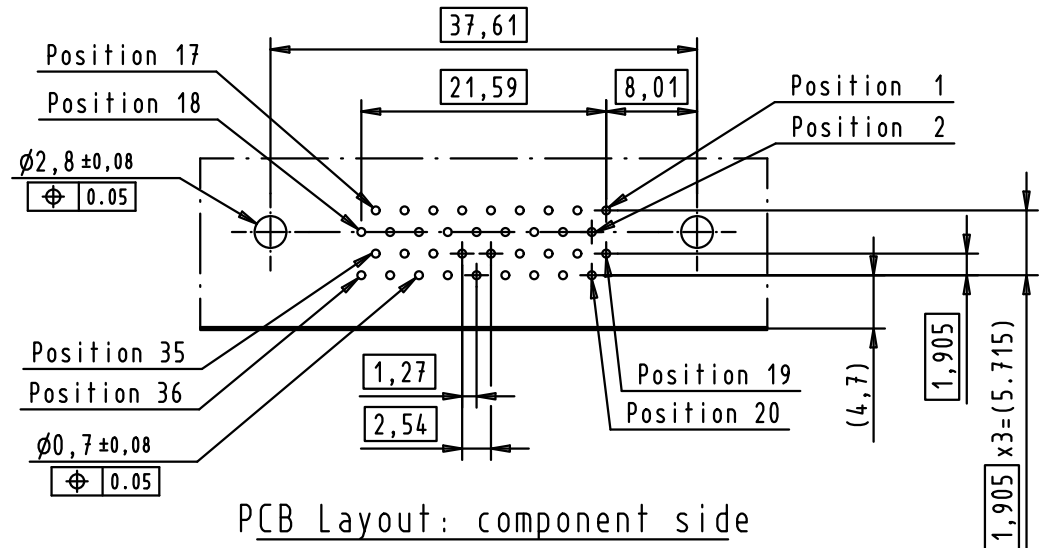
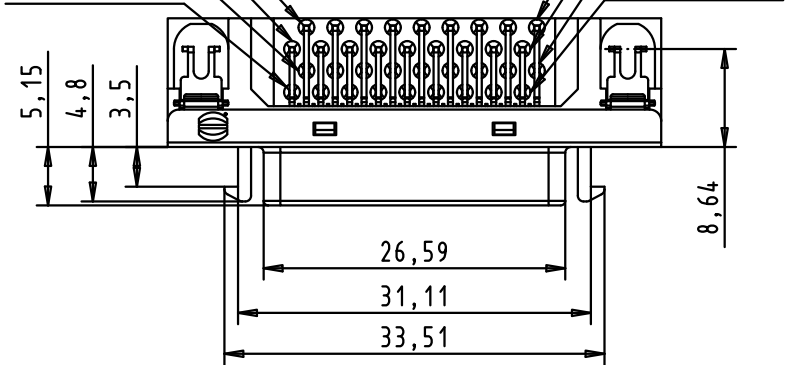


Position 17
Position 18
Position 35
Position 36

Position 1
Position 2
Position 19
Position 20



According to IEC 61076-3-100

1) see TB 60 11 036 5740 folio 2/2 for reel packaging

				Dot.	Name	<p>All Dim. in mm Orig. Size DIN A 4</p>	<p>har.mik® I/O bellow 36 poles female SMC with angled solder pins, boardlocks, fixed latches</p>	<p>Maßstab/ Scale 1.5:1</p>	
				Detail.	11Jul2006				ED
				Insp.					
				Stand.					
33811	17Oct2006	ED	HARTING EURL F-95972 Paris				<p>TB 60 11 036 5740</p>	<p>Blatt/ Page 1 / 2</p>	
33795	07Aug2006	ED	Mod.	Dot.	Name				
33781	12Jul2006	ED							

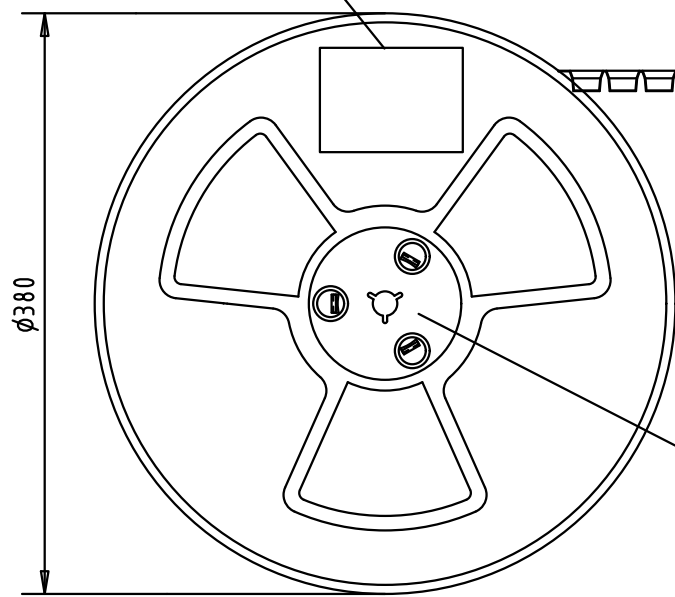
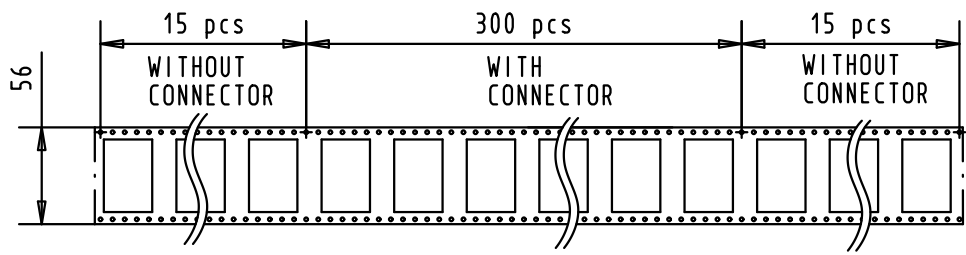
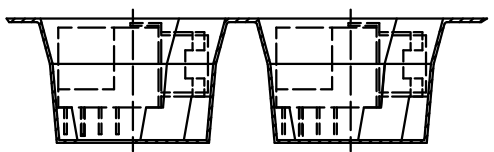
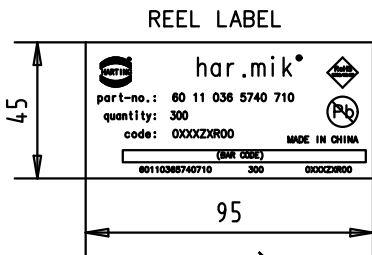
1 2 3 4 5 6

A

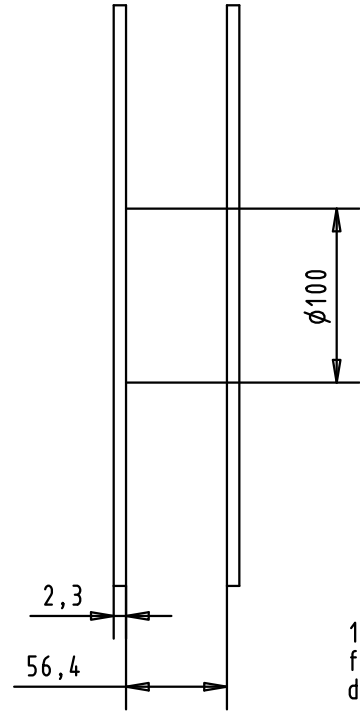
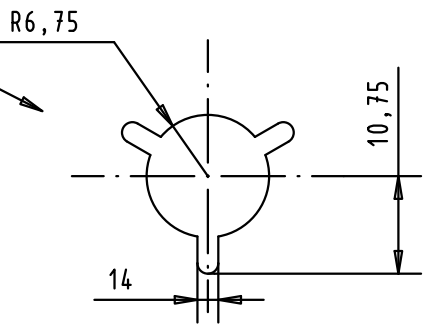
B

C

D



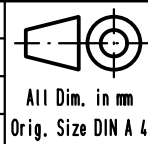
DIRECTION OF UNREELING →



1) see TB 60 11 036 5740 folio 1/2 for connector dimensions and PCB layout

Packaging in accordance with EIA 481-2-A tape & reel packaging for grimping process

				Dot.	Name
				Detail.	180ct+2006 ED
				Insp.	
				Stand.	



All Dim. in mm
Orig. Size DIN A 4

har.mik® I/O bellow
36 poles female SMC
with angled solder pins,
boardlocks, fixed latches
in reel unit packaging

Maßstab/
Scale

60 11 036 5740.710

in reel unit packaging
300 connectors

33811 180ct+2006 ED

HARTING EURL
F-95972 Paris



TB 60 11 036 5740

Blatt/ Page

2 / 2

Part Number

Index Designation

Mod. Dat. Name

Sub.