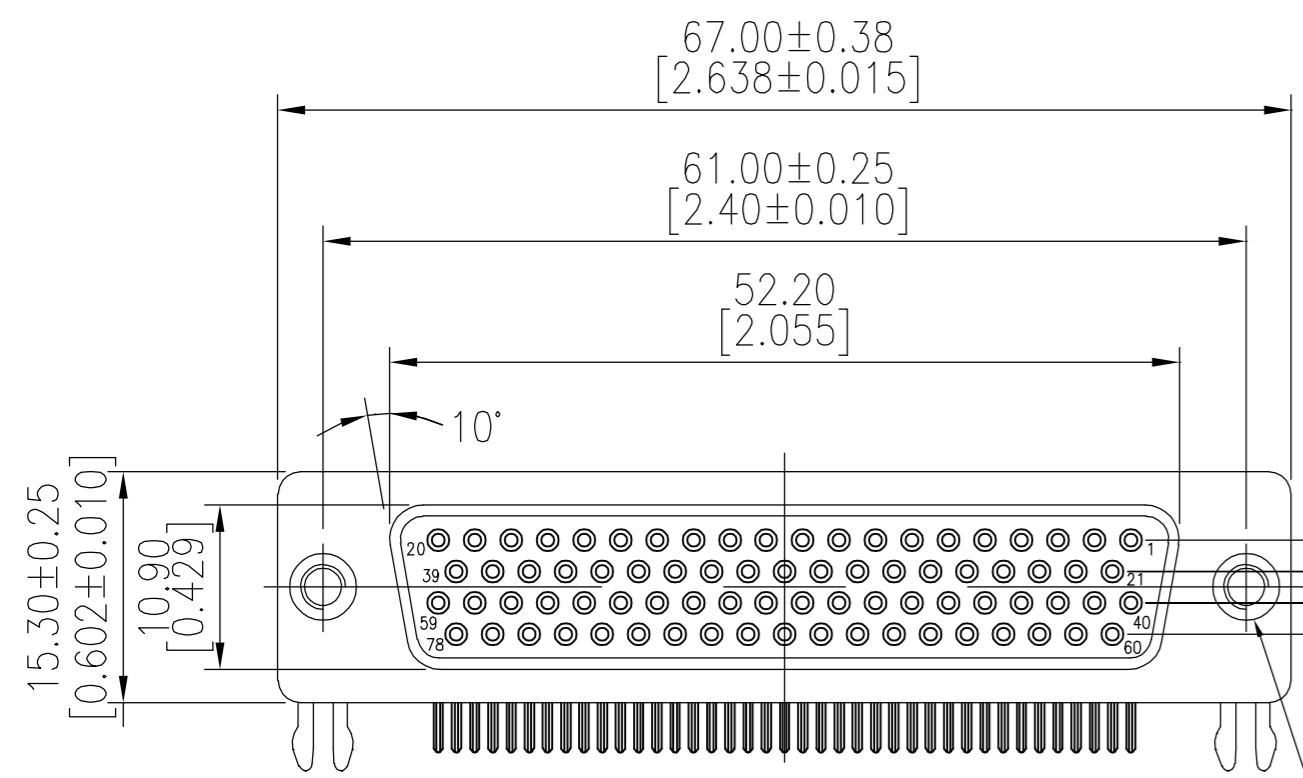
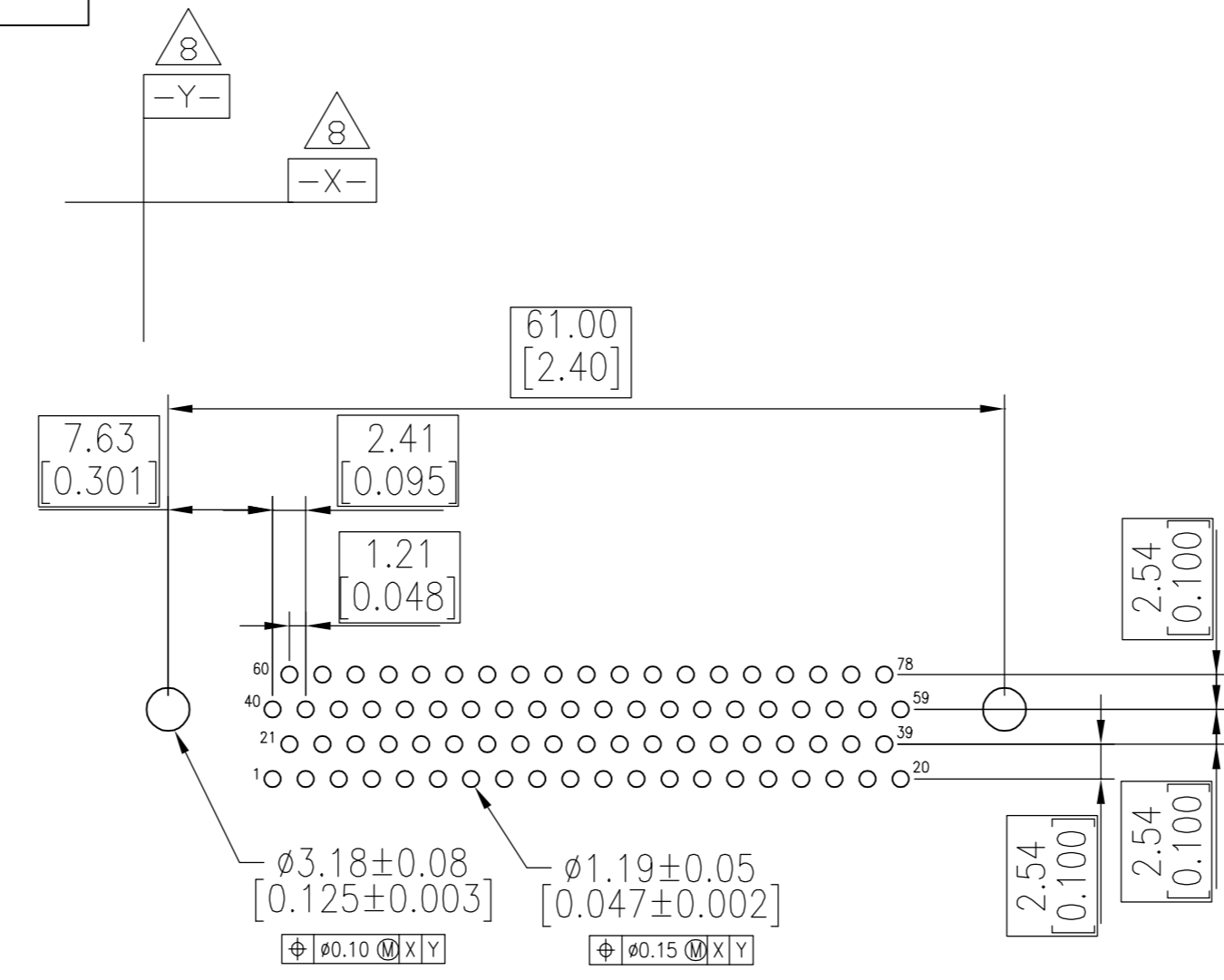
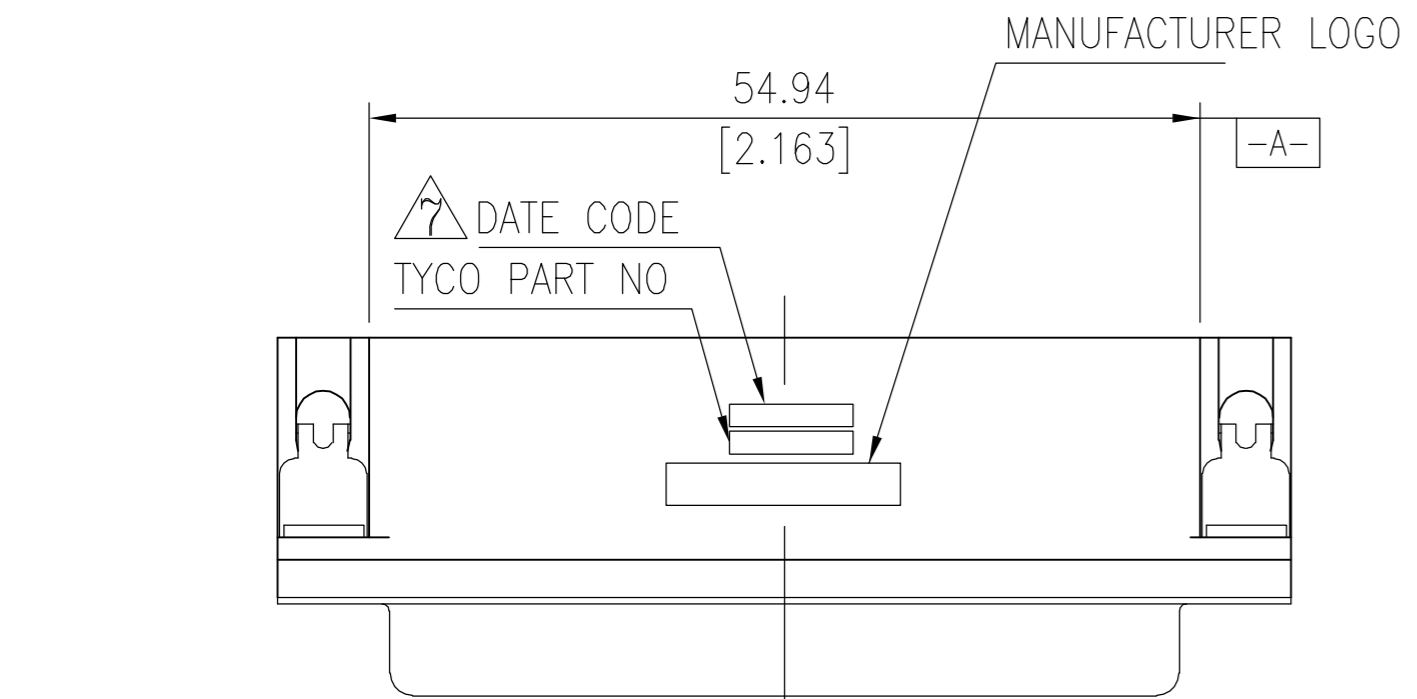
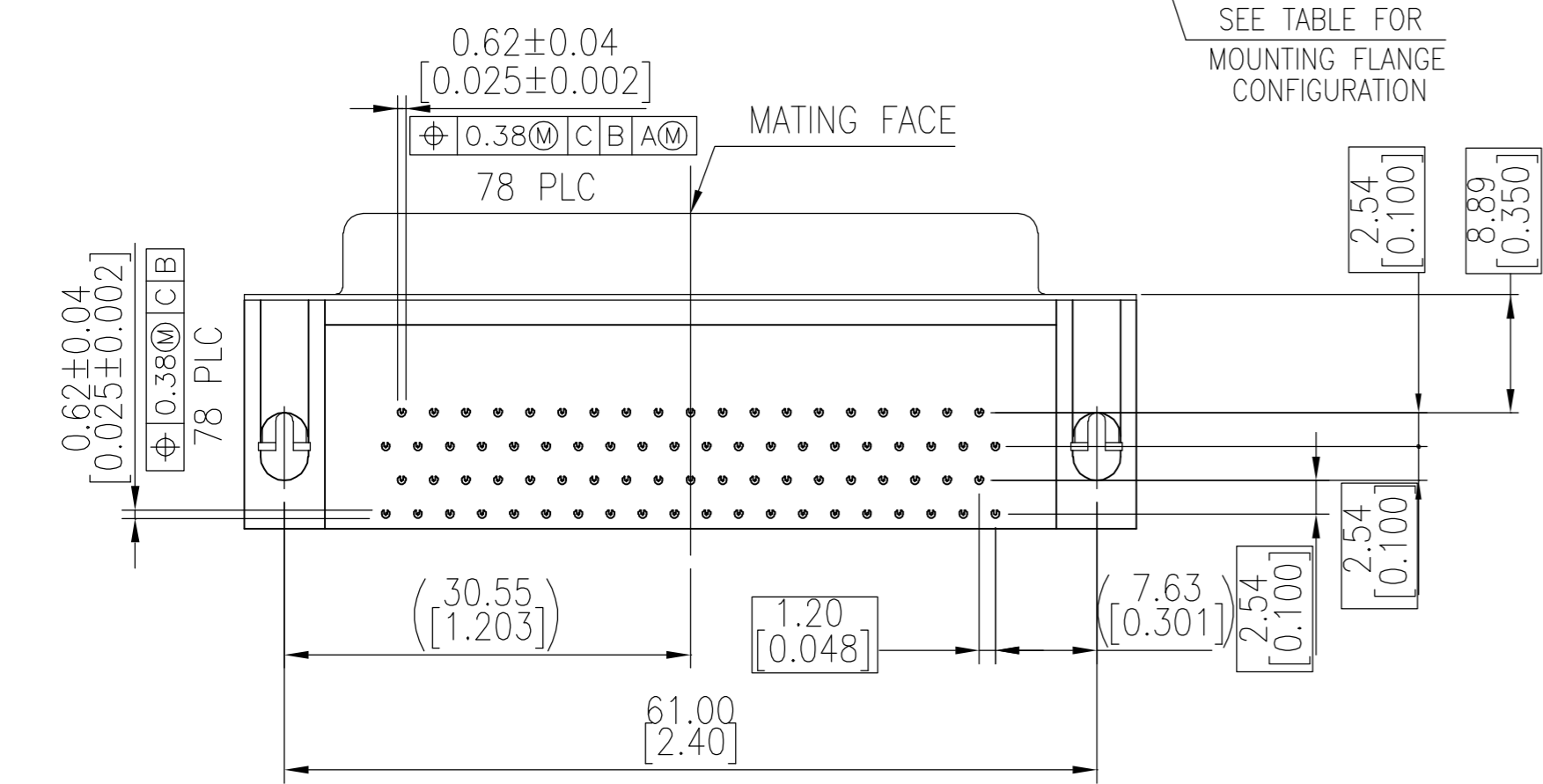


THIS DRAWING IS UNPUBLISHED. RELEASED FOR PUBLICATION
 © COPYRIGHT BY TYCO ELECTRONICS CORPORATION. ALL RIGHTS RESERVED.

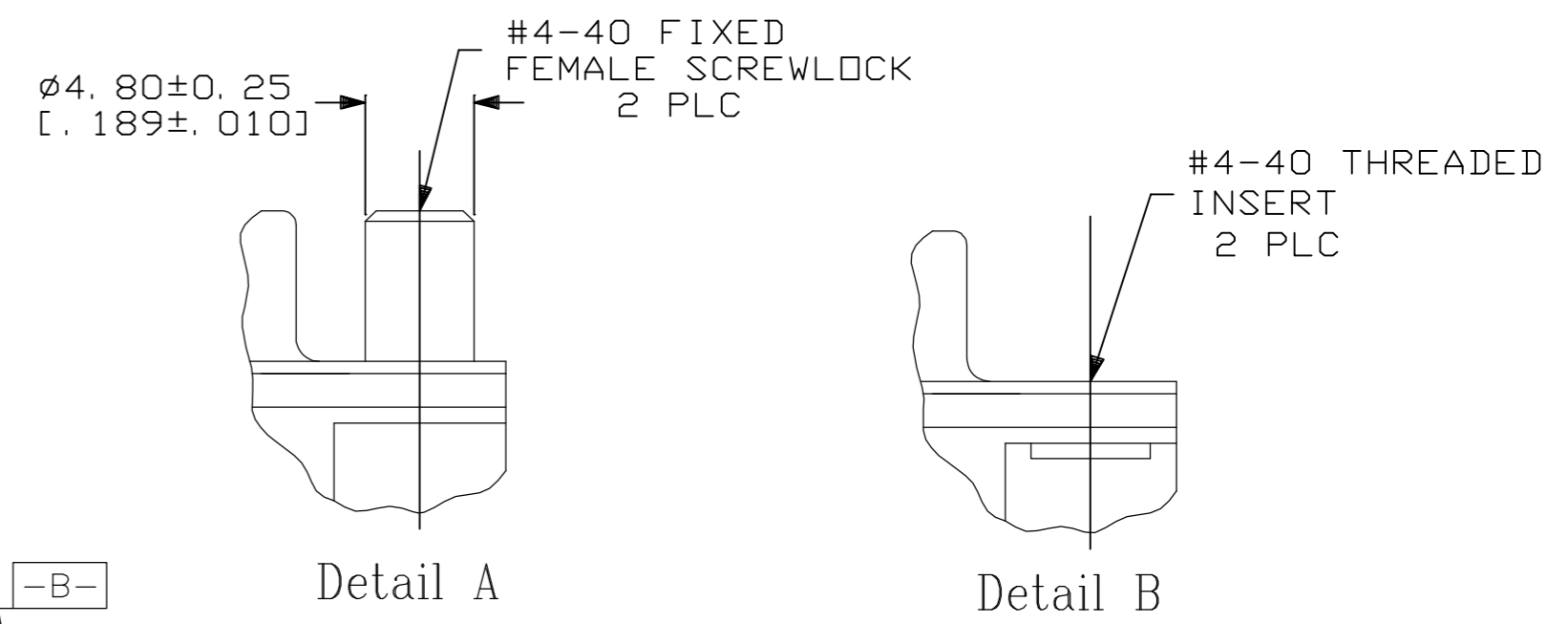
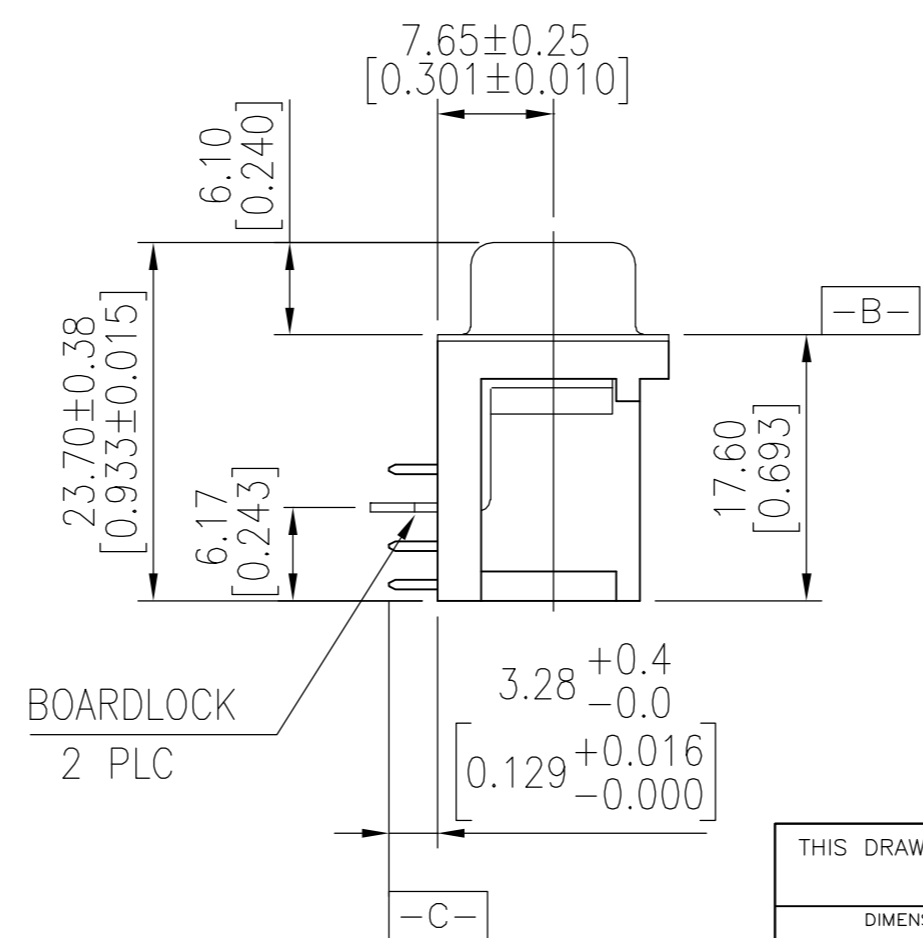
LOC		DIST		REVISIONS			
P	LTR	DESCRIPTION	DATE	DWN	APVD		
	A	REVISED PER ECO-06-024563	20OCT06	JDP	SLB		



RECOMMENDED PCB LAYOUT



SEE TABLE FOR MOUNTING FLANGE CONFIGURATION



- HOUSING MATERIAL: PBT, GLASS FILLED, BLACK, UL 94V-0 RATED.
- CONTACT MATERIAL: PHOSPHOR BRONZE.
- CONTACT FINISH: GOLD PLATE IN MATING AREA (SEE TABLE), 120μ" MIN TIN PLATE ON SOLDER TAIL, BOTH OVER 50μ" MIN NICKEL UNDERPLATE.
- SHELL: STEEL, NICKEL PLATE.
- BOARDLOCK: BRASS, 100μ" MIN TIN PLATE.
- FEMALE SCREWLOCKS/ THREADED INSERTS: BRASS, NICKEL PLATE.

△ FOUR DIGIT DATE CODE IN THIS FORMAT.
 Year 01 45 Manufacturing Week
 △ 8 DATUMS [-X-] & [-Y-] TO BE ESTABLISHED BY CUSTOMER.

Tray	Detail A	15μ" MIN	2-5748483-2
Tray	Detail B	Gold flash	2-5748483-1
Tray	Detail B	15μ" MIN	2-5748483-0
Tray	Detail A	30μ" MIN	5748483-6
Tray	Detail B	30μ" MIN	5748483-5
Packaging	Mounting Flange Configuration	Contact Mating Area Finish	AMP Part NO.

5748483-5, 2--0, & 2--1 SHOWN

DIMENSIONS:		TOLERANCES UNLESS OTHERWISE SPECIFIED:		APVD		NAME	
mm		0 PLC	± -	DWN	B.MCMMASTER	Tyco Electronics Corporation	
		1 PLC	± 0.30	CHK	S. BOLASH	Harrisburg, PA 17105-3608	
		2 PLC	± 0.20	APVD	M. WALMSLEY	AMP Part NO.	
		3 PLC	± 0.10	PRODUCT SPEC		78 POS RECEPTACLE, RIGHT ANGLE	
		4 PLC	± -	APPLICATION SPEC		SIZE	CAGE CODE
		ANGLES	± 2°			A2	00779
		FINISH		WEIGHT	-	DRAWING NO	C=5748483
MATERIAL				CUSTOMER DRAWING		RESTRICTED TO	
				SCALE	4:1	SHEET	1 of 1
				REV	A		