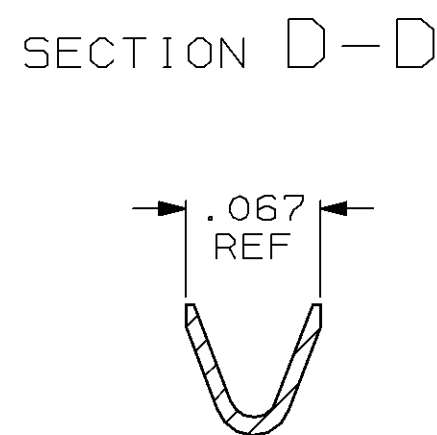
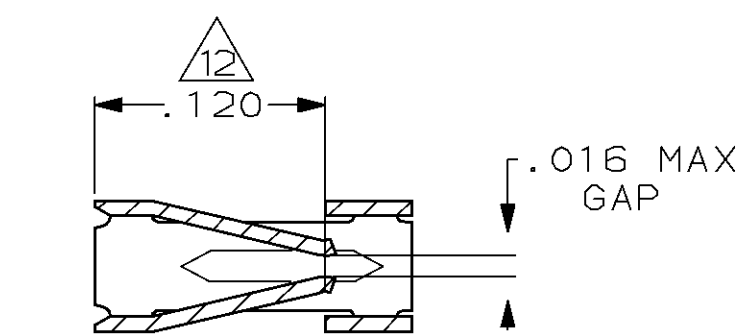
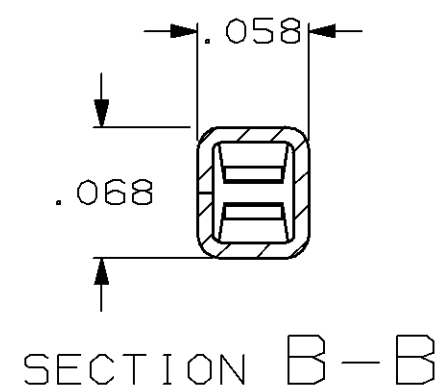
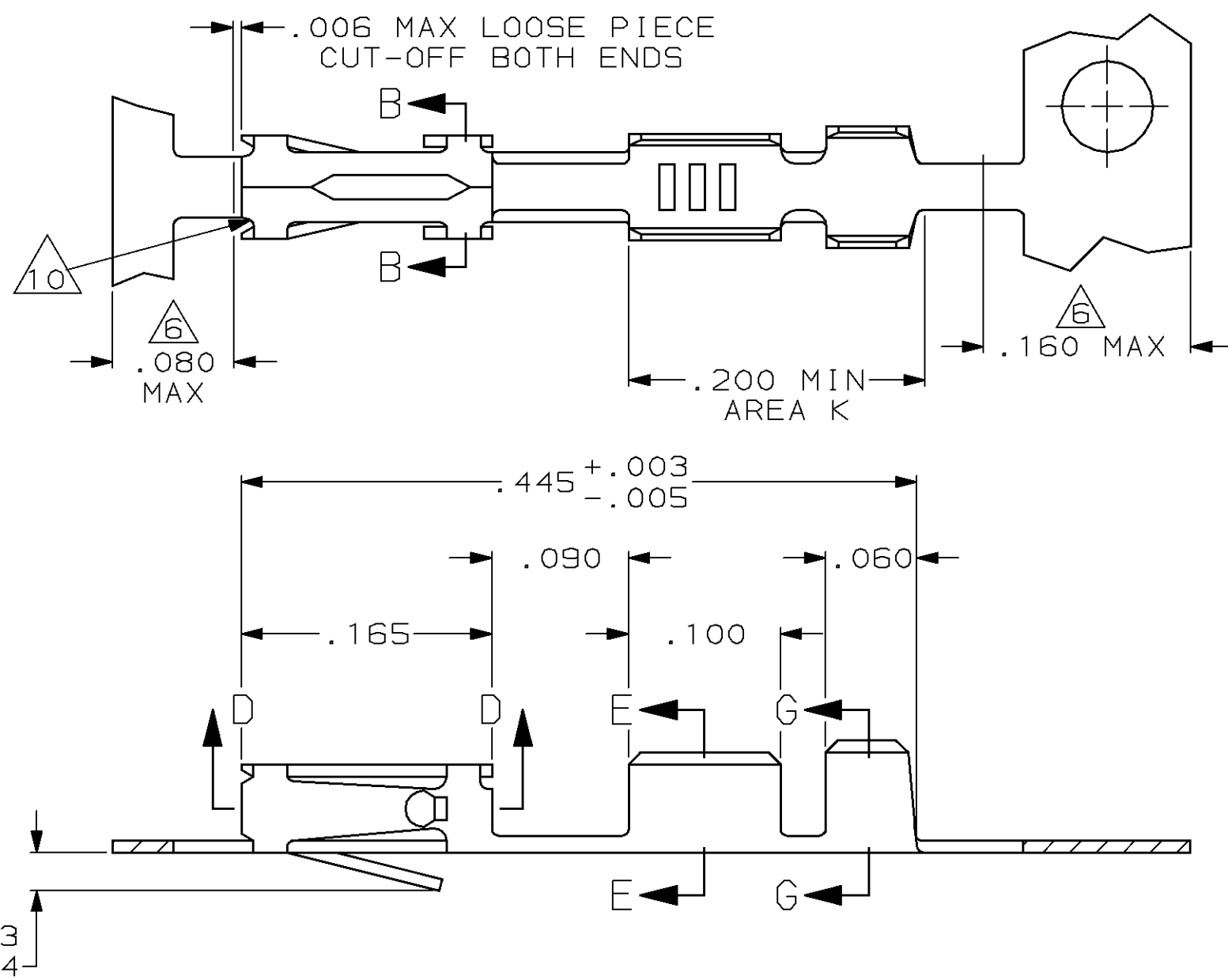


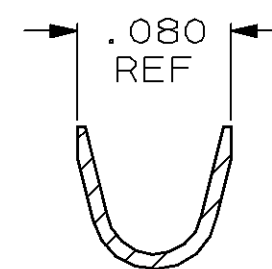
THIS DRAWING IS UNPUBLISHED. RELEASED FOR PUBLICATION, 19 .
 © COPYRIGHT 19 BY AMP INCORPORATED, HARRISBURG, PA. ALL INTERNATIONAL RIGHTS RESERVED. AMP PRODUCTS MAY BE COVERED BY U.S. AND FOREIGN PATENTS AND/OR PATENTS PENDING.

LOC AD	DIST	P	F	REVISIONS				
				ZONE	LTR	DESCRIPTION	DATE	APPD
	39			M		REV PER 0010-0646-95	2-20-96	SS
				N		REV PER 0010-1694-95	7-24-96	SS



WIRE SIZE #22-#26

SECTION E-E



INSULATION RANGE .061 MAX

SECTION G-G

1. REELED FOR MINI-APPLICATOR.
2. GOLD FLASH OVER NICKEL, .000015 GOLD ON CONTACT AREA.
3. GOLD FLASH OVER NICKEL, .000030 GOLD ON CONTACT AREA.
4. PREPLATED 0.00127-0.00381 (.000050-.000150) BRIGHT TIN.
5. .000050 NICKEL ON ENTIRE CONTACT, .000015 GOLD IN CONTACT AREA.
6. GOLD PLATING NOT REQUIRED IN THIS AREA.
7. SHEARED EDGES PERMITTED TO BE UNPLATED.
8. .000050 NICKEL ENTIRE CONTACT, .000015 GOLD ON CONTACT AREA, .000100-.000200 BRIGHT TIN OR TIN LEAD IN AREA K.
9. GOLD FLASH OVER NICKEL, .000050 GOLD ON CONTACT AREA.
10. CUT OUTS ON BOX AT MANUFACTURER'S OPTION.
11. .000030 GOLD IN CONTACT AREA, .000100-.000200 BRIGHT TIN-LEAD IN AREA K, ALL OVER .000050 NICKEL.
12. POINT OF MEASUREMENT FOR PLATING THICKNESS (INSIDE BEAMS).

	LOOSE PIECE	7	11	REF	1-87756-8
	REELED	7	11		1-87756-7
	LOOSE PIECE	7	8	REF	1-87756-6
OBSOLETE	LOOSE PIECE	9	8		1-87756-4
	REELED	7	8		1-87756-2
	REELED	9			1-87756-1
OBSOLETE	REELED	5	7		1-87756-0
	LOOSE PIECE	4	REF		87756-7
	REELED	4			87756-6
	LOOSE PIECE	2	REF		87756-5
	REELED	2			87756-4
	LOOSE PIECE	3	REF		87756-3
	REELED	3			87756-2
	DESCRIPTION	FINISH		PART NUMBER	

UNLESS OTHERWISE SPECIFIED DIMENSIONS ARE IN INCHES TOLERANCES ON : 2 PL DEC ± - 3 PL DEC ± .005 ANGLES ± -	DR 12-10-85 L.D. RINGLEY	AMP INCORPORATED Harrisburg, Pa. 17105		
	CHK 12-16-85 J.L. GESFORD			
MATERIAL: .008 THK CU-SN-P ALLOY 521	APPD 12-16-85 J.L. GESFORD	NAME CONTACT, FEMALE, MOD IV, CRIMP SNAP-IN		
	APPD 12-16-85 CLIFFORD LINDGREN			
FINISH: SEE TABLE	PRODUCT SPEC 108-25,020	SIZE C	FSCM NO 00779	DRAWING NO 87756
	APPLICATION SPEC 114-25,003	SCALE NTS	SHEET 1 - 1	
WEIGHT -		CUSTOMER DRAWING		