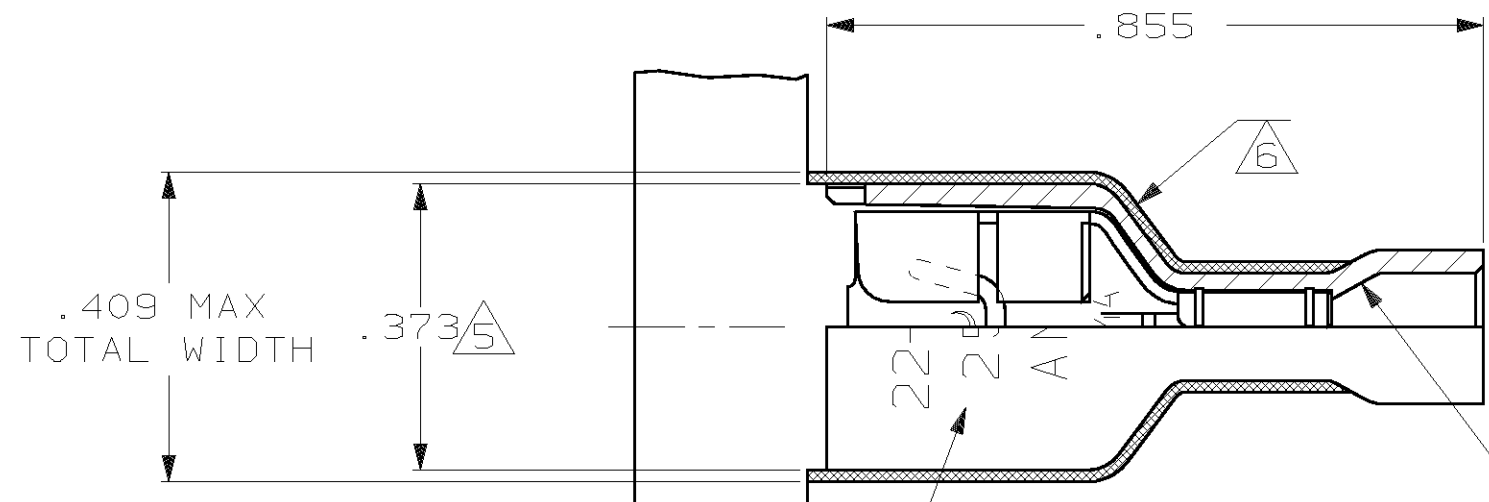
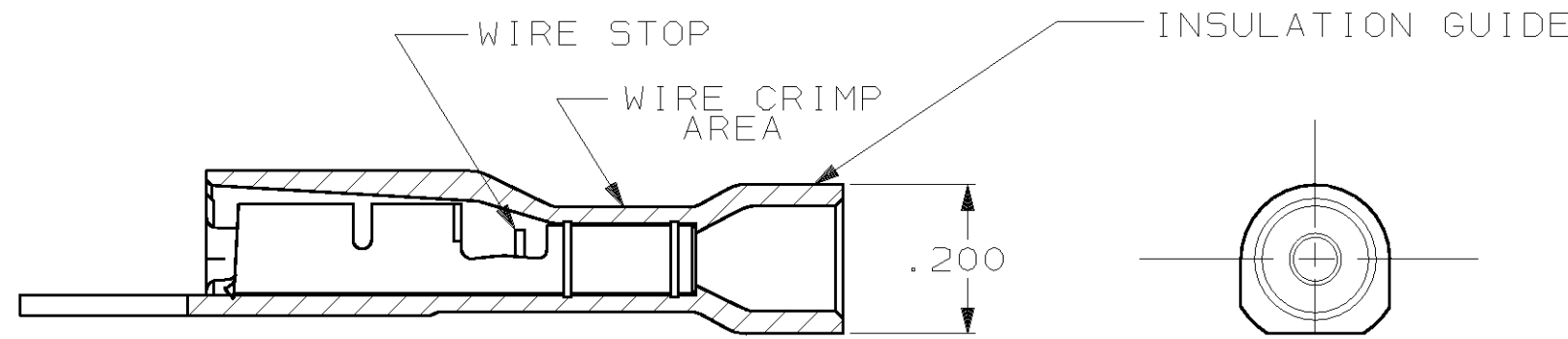
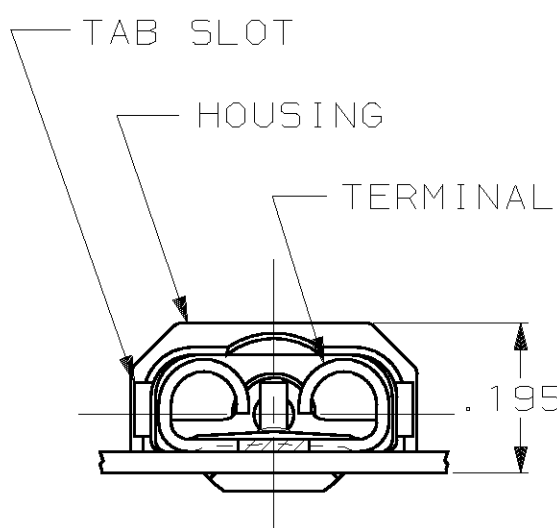


THIS DRAWING IS UNPUBLISHED. RELEASED FOR PUBLICATION, 19 .
 © COPYRIGHT 19 BY AMP INCORPORATED. ALL INTERNATIONAL RIGHTS RESERVED.

| LOC | DIST | P | F | ZONE | LTR | DESCRIPTION | DATE | APPD |
|-----|------|---|---|------|-----|--------------------------|---------|-------|
| AF | 50 | | | | P | REVISED PER 0G3A-0648-02 | 24OCT02 | MF JH |



- 1 MATES WITH .032±.001×.250 TAB
- 2 WIRE STRIP LENGTH .281
- 3 INSULATION SIZE .135 MAX DIA
- 4 CONTINUOUS STRIP ON REELS
- 5 DIMENSION DOES NOT INCLUDE TRIM BURR
- 6 .015 MAX CARRIER TRIM BURR PER SIDE IS ALLOWABLE IN THE SHADED AREA



| PACKAGING | MATERIAL & FINISH | PART NO |
|-----------|---|------------|
| STANDARD | HOUSING: NYLON, COLOR-BLACK RECEPTACLE: #3 HARD BRASS, TIN .000080 MIN | 9-520183-2 |
| BULK | HOUSING: NYLON, COLOR-RED TRANSLUCENT RECEPTACLE: #3 HARD BRASS, TIN .000080 MIN | 5-520183-2 |
| STANDARD | HOUSING: NYLON, COLOR-RED TRANSLUCENT RECEPTACLE: #3 HARD PH BRONZE, TIN .000080 MIN | 2-520183-4 |
| | HOUSING: NYLON, COLOR-RED TRANSLUCENT RECEPTACLE: #3 HARD BRASS, TIN .000080 MIN | 2-520183-2 |

| | | |
|---|------------------------------|--|
| DO NOT SCALE PRINT. UNLESS SPECIFIED DIMENSIONS IN INCHES TOLERANCES ON: 2 PLC DEC ± - 3 PLC DEC ± .015 ANGLES ± - | DR 10/18/88 P FORTNEY | AMP INCORPORATED Harrisburg, Pa. 17105 |
| | CHK 10/18/88 JR RUTH | |
| | APPD 10/21/88 K RANDOLPH | |
| | APPD 10/21/88 TL SHUTTER | |
| MATERIAL SEE TABLE | PRODUCT SPEC 108-2043 | NAME RECEPTACLE ASSY, ULTRA-FAST, .250 SERIES, 22-18 AWG |
| FINISH SEE TABLE | APPLICATION SPEC 114-2123 | SIZE B FSCM NO 00779 DRAWING NO 520183 |
| | WEIGHT - | SCALE 4:1 SHEET 1 OF 1 |