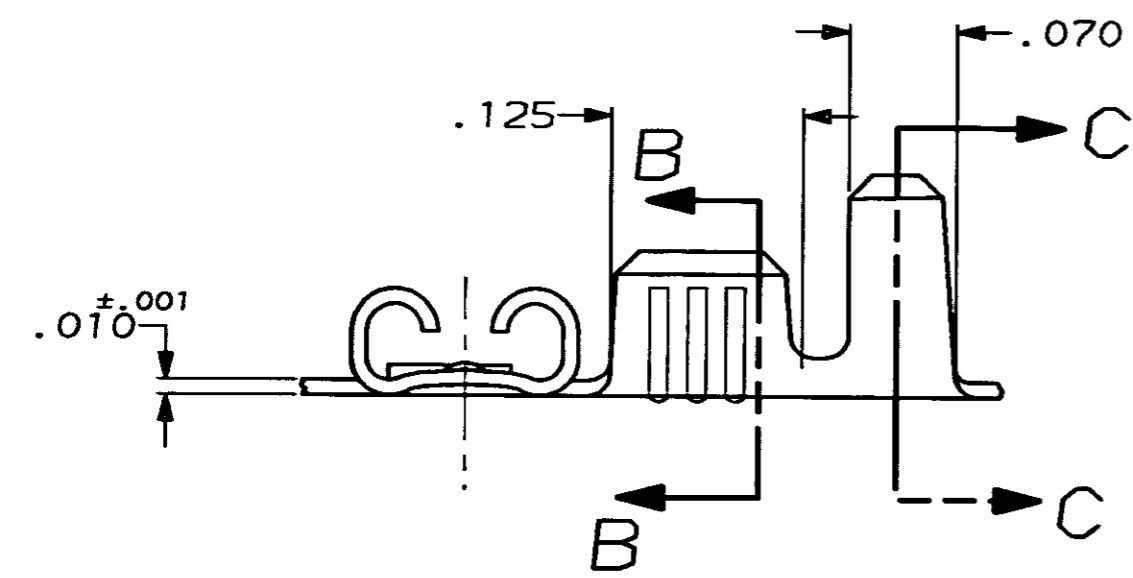
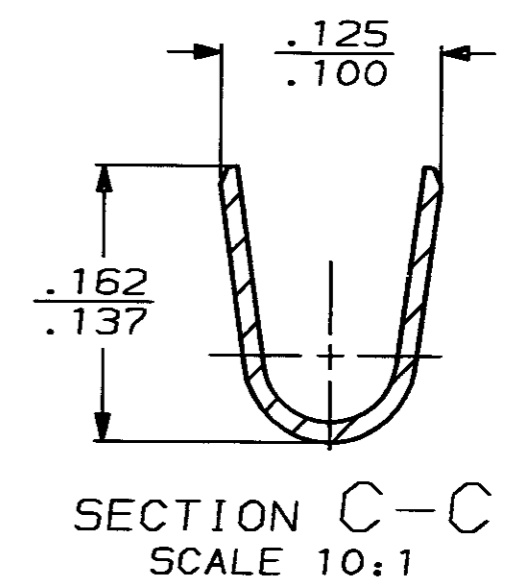
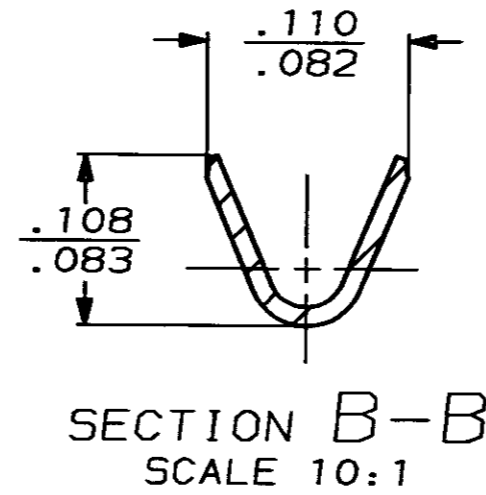
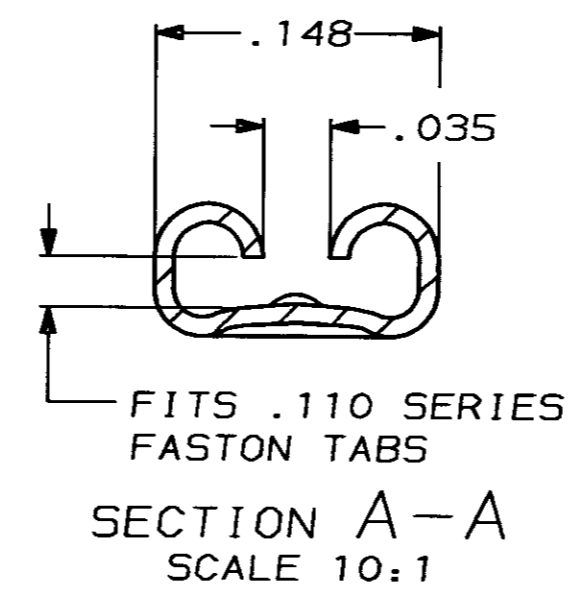
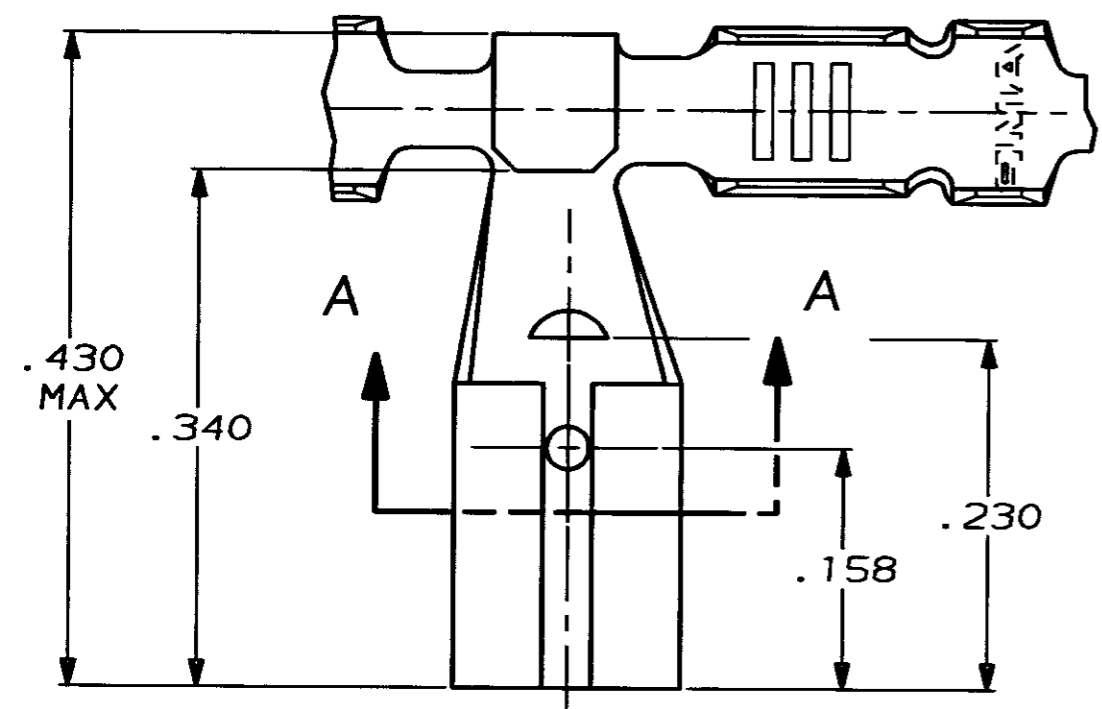


THIS DRAWING IS UNPUBLISHED. RELEASED FOR PUBLICATION .19 .
 © COPYRIGHT 19 BY AMP INCORPORATED. ALL INTERNATIONAL RIGHTS RESERVED.

LOC	DIST	P	F	REVISIONS			
ZONE	LTR	DESCRIPTION	DATE	APPD			
AF	50			C	ADDED -2 PER PR93-36	6/2/93	JR

1 CONTINUOUS STRIP ON REELS



NICKEL	CR STEEL	.060-.100 DIA	22-18 AWG	.032	62336-2
PRE-TIN	H04 BRASS				62336-1
FINISH	MATERIAL	INSULATION RANGE	WIRE SIZE	MATING TAB THK ±.001	PART NO
DO NOT SCALE PRINT. UNLESS SPECIFIED DIMENSIONS ARE IN INCHES. TOLERANCES ON: 2 PLC DEC ± - 3 PLC DEC ± .015 ANGLES ± -		DR 4/22/91 JR RUTH	AMP AMP Incorporated Harrisburg, PA 17105-3608 NAME RECEPTACLE, FASTON, FLAG, .110 SERIES		
MATERIAL SEE TABLE		CHK 4/22/91 MS FEHER			
FINISH SEE TABLE		APPD 4/22/91 C MEYERS	SIZE B	CAGE CODE 00779	DRAWING NO 62336
		APPD 4/22/91 D REINER	SCALE 8:1	SHEET 1 OF 1	
		PRODUCT SPEC -			
		APPLICATION SPEC -			
		WEIGHT -			