

# Industrial Spec Grade Turnlok® Locking Devices

## 20 Amp NEMA L520

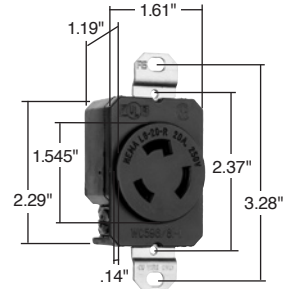
2 Pole, 3 Wire 20A, 125V

Pass & Seymour

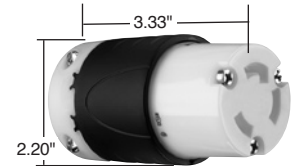


Turnlok® Locking Devices

Catalog Number	Rating A. V.	Description/Color	Cord Diameter	NEMA Config. No.	3rd Party Compliance		
					UL UL498	FSUL WC596	CSA
<b>Receptacles</b>							
L520R	20 125	Single Receptacle		L5-20R	•	•	•
IGL520R	20 125	Single Receptacle, Orange, Isolated Ground		L5-20R	•	•	•
CRL520R	20 125	Single Receptacle, Yellow, Corrosion-Resistant		L5-20R	•	•	•
<b>Connectors IP20 Suitability</b>							
L520C	20 125	Black Back, White Front Body	.385"-1.150"	L5-20R	•	•	•
L520CBK	20 125	Black Back, Black Front Body	.385"-1.150"	L5-20R	•	•	•
CRL520C	20 125	Yellow Back, White Front Body, Corrosion-Resistant	.385"-1.150"	L5-20R	•	•	•
<b>Plugs IP20 Suitability</b>							
L520P	20 125	Black Back, White Front Body	.385"-1.150"	L5-20P	•	•	•
L520PBK	20 125	Black Back, Black Front Body	.385"-1.150"	L5-20P	•	•	•
CRL520P	20 125	Yellow Back, White Front Body, Corrosion-Resistant	.385"-1.150"	L5-20P	•	•	•
<b>Flanged Inlets &amp; Outlets</b>							
L520FI	20 125	Gray Inlet		L5-20P	•	•	•
L520FO	20 125	Gray Outlet		L5-20R	•	•	•

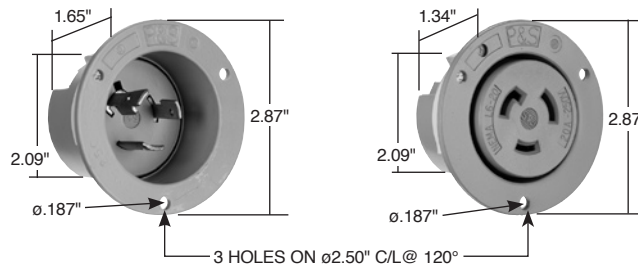
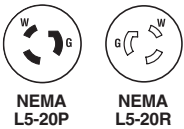


20A Receptacle

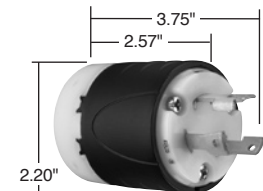


20A Connector

Reference Pages I-37 and I-38 for Accessories.

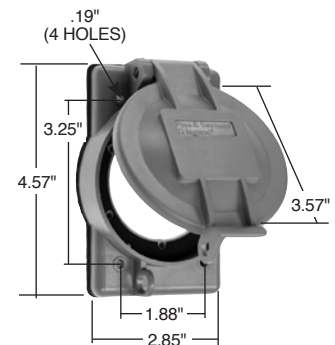


20A Flanged Inlet & Outlet



20A Plug

Catalog Number	Description	Color
<b>Weatherproof Cover</b>		
WPG2	Cover for 20 and 30A Turnlok Flanged Inlets and Outlets	Gray
<b>Stainless Steel Wall Plate</b>		
SS720	Wall Plate for Locking Receptacles	302 S/S



WPG2

All devices listed on this page conform to NEMA WD-1 and WD-6.

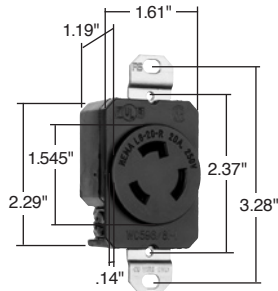
20 Amp NEMA L520



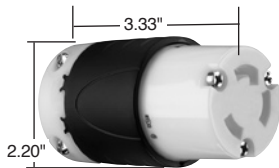
## Industrial Spec Grade Turnlok® Locking Devices

### 20 Amp NEMA L620 & L720

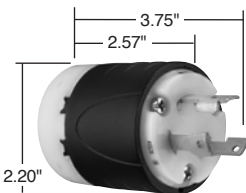
2 Pole, 3 Wire 20A, 250V & 277VAC



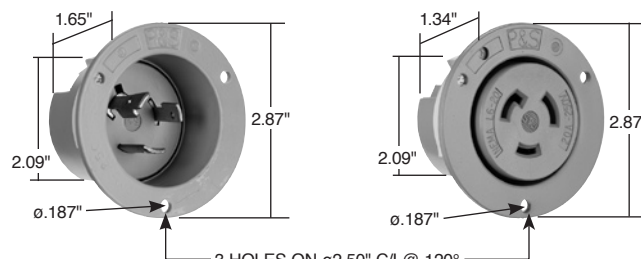
20A Receptacle



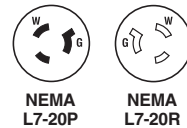
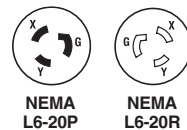
20A Connector



20A Plug



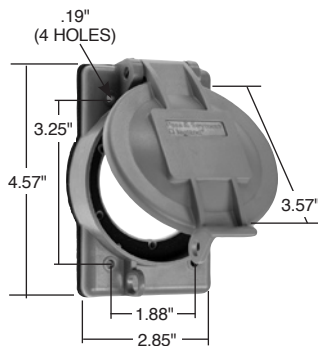
20A Flanged Inlet & Outlet



Catalog Number	Rating A. V.	Description/Color	Cord Diameter	NEMA Config. No.	3rd Party Compliance		
					UL498	FSUL WC596	CSA
<b>Receptacles</b>							
L620R	20 250	Single Receptacle		L6-20R	•	•	•
IGL620R	20 250	Single Receptacle, Orange, Isolated Ground		L6-20R	•		•
L720R	20 277*	Single Receptacle		L7-20R	•	•	•
IGL720R	20 277*	Single Receptacle, Orange, Isolated Ground		L7-20R	•		•
<b>Connectors IP20 Suitability</b>							
L620C	20 250	Black Back, White Front Body	.385"-1.150"	L6-20R	•	•	•
CRL620C	20 250	Yellow Back, White Front Body, Corrosion-Resistant	.385"-1.150"	L6-20R	•	•	•
L720C	20 277*	Black Back, White Front Body	.385"-1.150"	L7-20R	•	•	•
<b>Plugs IP20 Suitability</b>							
L620P	20 250	Black Back, White Front Body	.385"-1.150"	L6-20P	•	•	•
CRL620P	20 250	Yellow Back, White Front Body, Corrosion-Resistant	.385"-1.150"	L6-20P	•	•	•
L720P	20 277*	Black Back, White Front Body	.385"-1.150"	L7-20P	•	•	•
<b>Flanged Inlets &amp; Outlets</b>							
L620FI	20 250	Gray Inlet		L6-20P	•		•
L620FO	20 250	Gray Outlet		L6-20R	•		•
L720FI	20 277*	Gray Inlet		L7-20P	•		•
L720FO	20 277*	Gray Outlet		L7-20R	•		•

\*AC only.

Reference Pages I-37 and I-38 for Accessories.



WPG2

Catalog Number	Description	Color
<b>Weatherproof Cover</b>		
WPG2	Cover for 20 and 30A Turnlok Flanged Inlets and Outlets	Gray
<b>Stainless Steel Wall Plate</b>		
SS720	Wall Plate for Locking Receptacles	302 S/S

# Industrial Spec Grade Turnlok® Locking Devices 20 Amp NEMA L820, L920 & L2420

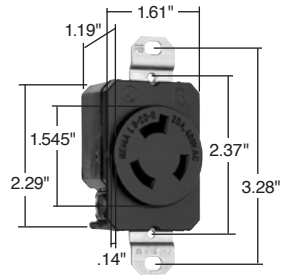
2 Pole, 3 Wire 20A, 347, 480 & 600V

Pass & Seymour

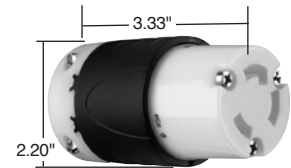


Turnlok® Locking Devices

Catalog Number	Rating A. V.	Description/Color	Cord Diameter	NEMA Config. No.	3rd Party Compliance		
					UL498	FSUL WC596	CSA
<b>Receptacles</b>							
L820R	20 480	Single Receptacle		L8-20R	•	•	
IGL820R	20 480	Single Receptacle, Orange, Isolated Ground		L8-20R	•	•	
L920R	20 600	Single Receptacle		L9-20R	•	•	
L3720R	20 347	Single Receptacle		L24-20R	•	•	
<b>Connectors IP20 Suitability</b>							
L820C	20 480	Black Back, White Front Body	.385"-1.150"	L8-20R	•	•	
L920C	20 600	Black Back, White Front Body	.385"-1.150"	L9-20R	•	•	
L3720C	20 347	Black Back, White Front Body	.385"-1.150"	L24-20R	•	•	
<b>Plugs IP20 Suitability</b>							
L820P	20 480	Black Back, White Front Body	.385"-1.150"	L8-20P	•	•	
L920P	20 600	Black Back, White Front Body	.385"-1.150"	L9-20P	•	•	
L3720P	20 347	Black Back, White Front Body	.385"-1.150"	L24-20P	•	•	
<b>Flanged Inlets &amp; Outlets</b>							
L820FI	20 480	Gray Inlet		L8-20P	•	•	
L820FO	20 480	Gray Outlet		L8-20R	•	•	
L920FI	20 600	Gray Inlet		L9-20P	•	•	
L920FO	20 600	Gray Outlet		L9-20R	•	•	
L3720FO	20 347	Gray Outlet		L24-20R	•	•	

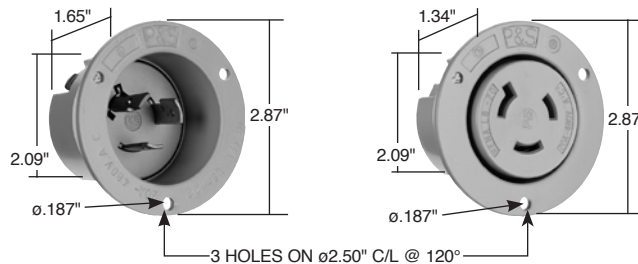
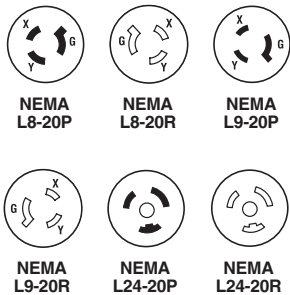


20A Receptacle

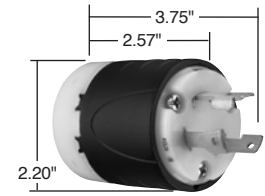


20A Connector

Reference Pages I-37 and I-38 for Accessories.

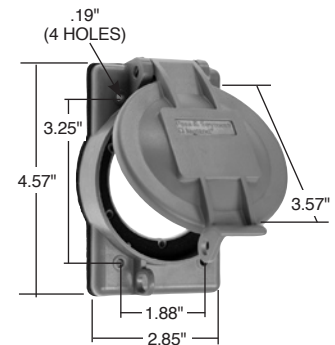


20A Flanged Inlet & Outlet



20A Plug

Catalog Number	Description	Color
<b>Weatherproof Cover</b>		
WPG2	Cover for 20 and 30A Turnlok Flanged Inlets and Outlets	Gray
<b>Stainless Steel Wall Plate</b>		
SS720	Wall Plate for Locking Receptacles	302 S/S



WPG2

All devices listed on this page conform to NEMA WD-1 and WD-6.

20 Amp NEMA L820, L920 & L2420

# Industrial Spec Grade Turnlok® Locking Devices 20 Amp NEMA L820, L920 & L2420

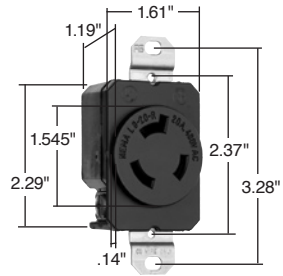
2 Pole, 3 Wire 20A, 347, 480 & 600V

Pass & Seymour

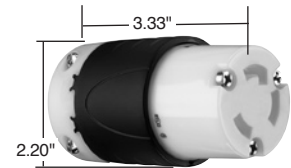


Turnlok® Locking Devices

Catalog Number	Rating A. V.	Description/Color	Cord Diameter	NEMA Config. No.	3rd Party Compliance		
					UL498	FSUL WC596	CSA
<b>Receptacles</b>							
L820R	20 480	Single Receptacle		L8-20R	•	•	
IGL820R	20 480	Single Receptacle, Orange, Isolated Ground		L8-20R	•	•	
L920R	20 600	Single Receptacle		L9-20R	•	•	
L3720R	20 347	Single Receptacle		L24-20R	•	•	
<b>Connectors IP20 Suitability</b>							
L820C	20 480	Black Back, White Front Body	.385"-1.150"	L8-20R	•	•	
L920C	20 600	Black Back, White Front Body	.385"-1.150"	L9-20R	•	•	
L3720C	20 347	Black Back, White Front Body	.385"-1.150"	L24-20R	•	•	
<b>Plugs IP20 Suitability</b>							
L820P	20 480	Black Back, White Front Body	.385"-1.150"	L8-20P	•	•	
L920P	20 600	Black Back, White Front Body	.385"-1.150"	L9-20P	•	•	
L3720P	20 347	Black Back, White Front Body	.385"-1.150"	L24-20P	•	•	
<b>Flanged Inlets &amp; Outlets</b>							
L820FI	20 480	Gray Inlet		L8-20P	•	•	
L820FO	20 480	Gray Outlet		L8-20R	•	•	
L920FI	20 600	Gray Inlet		L9-20P	•	•	
L920FO	20 600	Gray Outlet		L9-20R	•	•	
L3720FO	20 347	Gray Outlet		L24-20R	•	•	

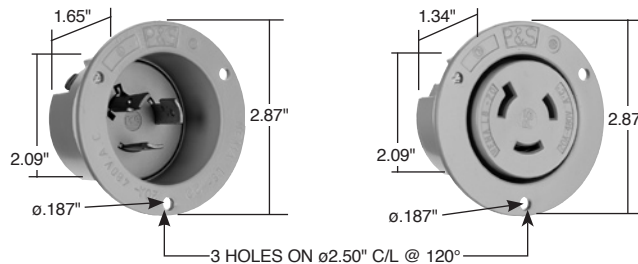
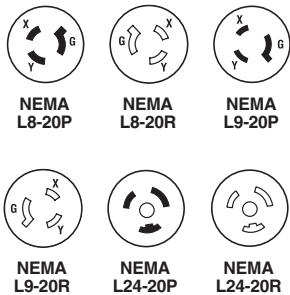


20A Receptacle

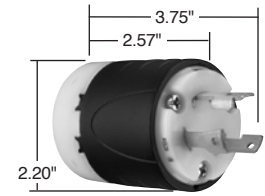


20A Connector

Reference Pages I-37 and I-38 for Accessories.

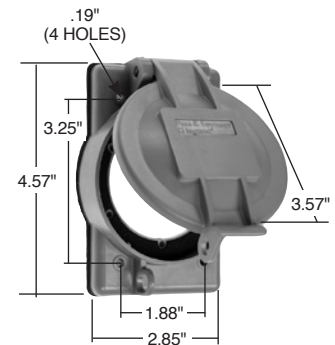


20A Flanged Inlet & Outlet



20A Plug

Catalog Number	Description	Color
<b>Weatherproof Cover</b>		
WPG2	Cover for 20 and 30A Turnlok Flanged Inlets and Outlets	Gray
<b>Stainless Steel Wall Plate</b>		
SS720	Wall Plate for Locking Receptacles	302 S/S



WPG2

All devices listed on this page conform to NEMA WD-1 and WD-6.

20 Amp NEMA L820, L920 & L2420