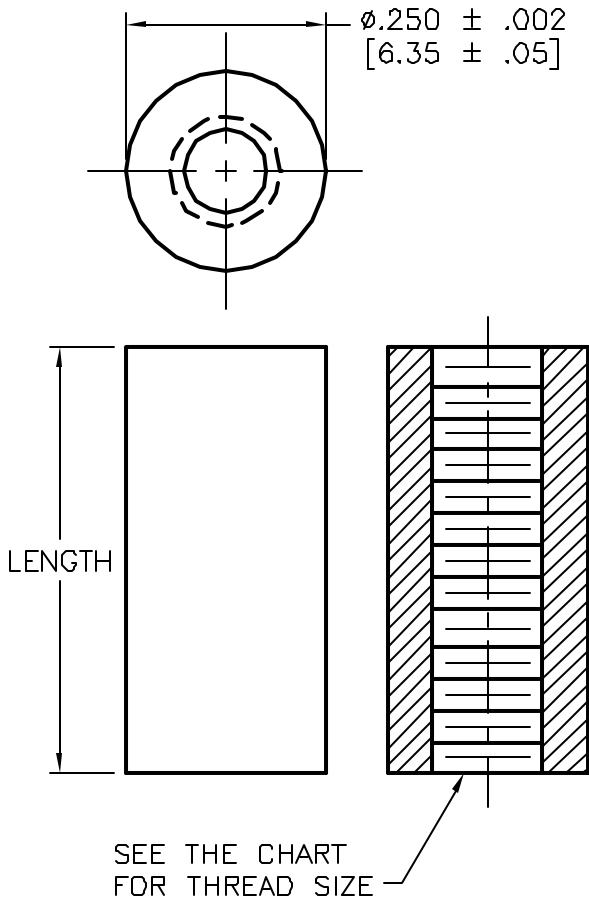


ALL RIGHTS RESERVED. NO PORTION OF THIS PUBLICATION, WHETHER IN WHOLE OR IN PART CAN BE REPRODUCED WITHOUT THE EXPRESS WRITTEN CONSENT OF SPC TECHNOLOGY.

REVISIONS			DOC. NO. SPC-F004 * Effective: 12/21/98 * DCP No: 680					
DCP #	REV	DESCRIPTION	DRAWN	DATE	CHECKD	DATE	APPRVD	DATE
	B	REVISED & REDRAWING	J.P.	4/14/93	JC	4/14/93	K.D.	4/14/93
564	C	REVISED & ADD MORE PARTS	HYO	3/31/00	JC	10/6/00	JC	10/6/00



SPC TYPE NO.	THREAD SIZE	LENGTH (INCHES)
RTA-4-250-A	4-40	0.250
RTA-4-375-A		0.375
RTA-4-500-A		0.500
2873		0.625
RTA-4-750-A		0.750
2876		0.875
RTA-4-1000-A		1.000
RTA-4-1500-A		1.500
2741		2.000
RTA-6-250-A		6-32
RTA-6-375-A	0.375	
RTA-6-500-A	0.500	
2874	0.625	
RTA-6-750-A	0.750	
2877	0.875	
RTA-6-1000-A	1.000	
RTA-6-1500-A	1.500	
2742	2.000	
RTA-8-250-A	8-32	0.250
RTA-8-375-A		0.375
RTA-8-500-A		0.500
2875		0.625
RTA-8-750-A		0.750
2878		0.875
RTA-8-1000-A		1.000
RTA-8-1500-A		1.500
2743	2.000	

NOTES:

1. MATERIAL: ALUMINUM, QQ-A-225/3, ALLOY 2011-T3
2. FINISH: CLEAR IRIDITE (MIL-C-5541)
2. SPACERS OVER 1.000" LONG ARE TAPPED 0.375 DEEP EACH END.

SPC-F004-DWG

DISCLAIMER:
 ALL STATEMENTS AND TECHNICAL INFORMATION CONTAINED HEREIN ARE BASED UPON INFORMATION AND/OR TESTS WE BELIEVE TO BE ACCURATE AND RELIABLE. SINCE CONDITIONS OF USE ARE BEYOND OUR CONTROL, THE USER SHALL DETERMINE THE SUITABILITY OF THE PRODUCT FOR THE INTENDED USE AND ASSUME ALL RISK AND LIABILITY WHATSOEVER IN CONNECTION THEREWITH.



SPC TECHNOLOGY

TOLERANCES UNLESS OTHERWISE SPECIFIED DECIMALS .XXX ± .005 [0.15]	DRAWN BY: J.P.	DATE: 4/14/93	DRAWING TITLE: ROUND STANDOFF, THREADED, ALUMINUM			
	CHECKED BY: J.C.	DATE: 4/14/93	SIZE A	DWG. NO. TA-244	ELECTRONIC FILE TA-244.DWG	REV C
	APPROVED BY: K.D.	DATE: 4/14/93	SCALE: NTS		U.O.M.: INCHES [mm]	
	SHEET: 1 OF 1					