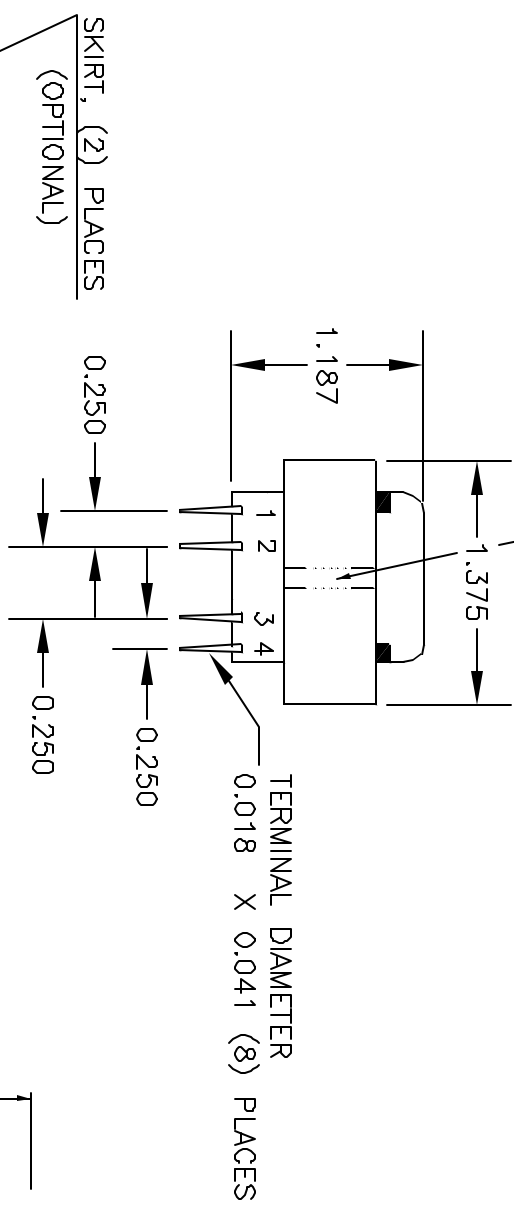


ALL RIGHTS RESERVED. NO PORTION OF THIS PUBLICATION, WHETHER IN WHOLE OR IN PART CAN BE REPRODUCED WITHOUT THE EXPRESS WRITTEN CONSENT OF SPC TECHNOLOGY.

REVISIONS		DOC. NO. SPC-F005	Effective: 12/21/98	DCP No: 860	
DCP #	REV	DESCRIPTION	DRAWN DATE	CHECKD DATE	APPRVD DATE
28	A	RELEASED	J.A.P. 05-27-96	JC 08-23-96	B.B. 08-30-96
1102	B	Renamed & updated	JWM 12/12/02	DJC 12/27/01	DJC 12/27/01

XBD-324
EIA373B1-DATE CODE
OBLV2
QU

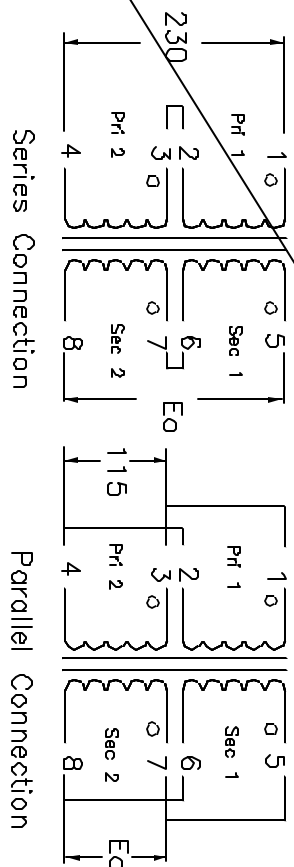
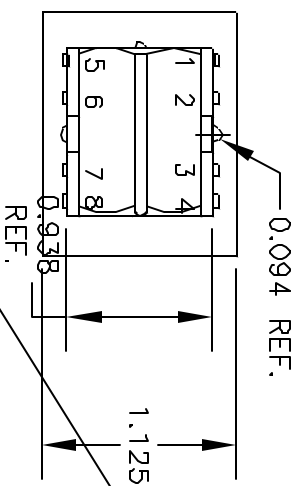


Electrical Characteristics

Primary
Pri #1 115v +/-15% REQ: (50,60)HZ
Pri #2 115v +/-15% REQ: (50,60)HZ

Secondary
Series 24.0vct @ 100mARMS
Parallel 12.0v @ 200mARMS

Transformer Isolation
Pri/Pri 500v Pri/Sec 2500v
Sec/Sec 500v Wind/Core 2500v



DISCLAIMER
ALL STATEMENTS AND TECHNICAL INFORMATION CONTAINED HEREIN ARE BASED UPON INFORMATION AND/OR TESTS WE BELIEVE TO BE ACCURATE AND RELIABLE. SINCE CONDITIONS OF USE ARE BEYOND OUR CONTROL, THE USER SHALL DETERMINE THE SUITABILITY OF THE PRODUCT FOR THE INTENDED USE AND ASSUME ALL RISK AND LIABILITY WHATSOEVER IN CONNECTION THEREWITH.



UNLESS OTHERWISE SPECIFIED.

DRAWN BY: JAP DATE: 05-27-96
CHECKED BY: JC DATE: 08-24-96
APPROVED BY: B.B. DATE: 08-30-96

DRAWING TITLE: Transformer
SIZE DWG. NO. XBD-324
ELECTRONIC FILE 44N3630.dwg
REV A