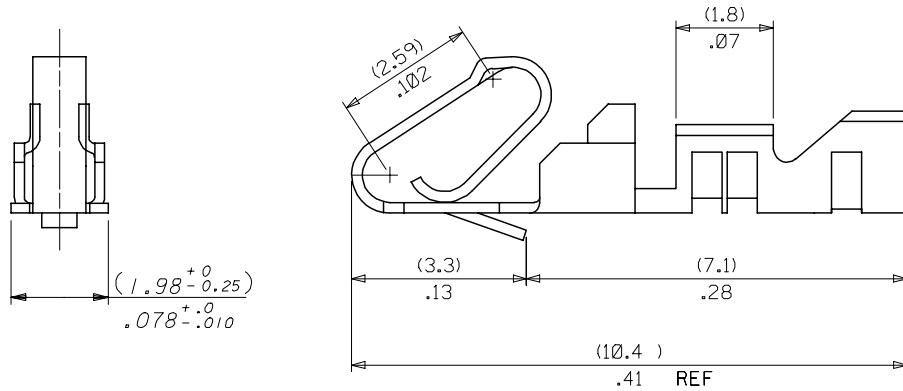


PART No.	ENG No.	FORM	SEE FINISH NOTES
40-07-0813	8088C-(999)L	LOOSE	(999)
40-07-0812	8088C-(999)	CHAIN	(999)
08-52-0106	8088C-(P902)L	LOOSE	(P902)
08-52-0105	8088C-(P902)	CHAIN	(P902)
08-52-0108	8088C-(102)L	LOOSE	(102)
08-52-0107	8088C-(102)	CHAIN	(102)

FINISH NOTES:

- (999) - UNPLATED
- (P902) - HOT TIN DIP (1.0-2.5um)
.00004-.00010
- (102) - ELECTRO TIN PLATE (0.005)/.0002 MIN OVER
(0.003)/.00013 MIN COPPER (POST PLATE)



NOTES:

1. SAME AS SD-8088-(***)* EXCEPT CAT EARS
2. FOR 22-30 AWG. WIRE, (1.57)/.062 MAX DIA INSULATION.
3. MATERIAL; (0.20±0.01)/.008±.0004 THICK PHOS BRONZE ALLOY 510 TENSILE: 88 - 103M PSI
4. THIS PART CONFORMS TO PROD.SPEC.99020-0088

ADDED END VIEW EC NO: E2007-0218 DRWN: DENNEHY 2006/09/15 CHKD: MORIARTY 2006/09/15 APPR: DENNEHY 2006/10/11	DESCRIPTION REV	QUALITY SYMBOLS	GENERAL TOLERANCES (UNLESS SPECIFIED)		DIMENSION STYLE MM ONLY		SCALE 10:1	DESIGN UNITS METRIC	THIRD ANGLE PROJECTION	
		$\nabla=0$ $\triangle=0$	mm	INCH	DRAWN BY T. MAHON	DATE 1998/10/26	TITLE TERMINAL - ANTI FISH HOOKING KK .100 CTR REF WITH CAT EARS			
		4 PLACES ± --- ± ---	3 PLACES ± --- ± .010	2 PLACES ± 0.25 ± .020	1 PLACE ± 0.51 ± ---	CHECKED BY D. MORIARTY				
			ANGULAR ±1/2°	DRAFT WHERE APPLICABLE MUST REMAIN WITHIN DIMENSIONS		APPROVED BY JDENNEHY		DATE 2006/09/14	MOLEX INCORPORATED DOCUMENT NO. SD-8088C-(***)*	