

Ledex® C Frame Size C34 — DC Operation

Part Number: C34 - XXX - M- 33

All catalog products manufactured after April 1, 2006 are RoHS Compliant

Select from performance chart below

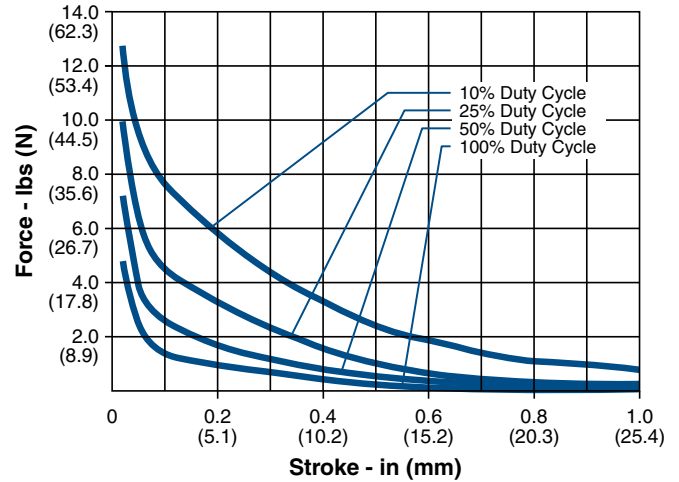
Specifications

Operation	Pull
Dielectric Strength	1000 VRMS for one second
Continuous Duty Cycle	At 20°C ambient temperature
Intermittent Duty Cycle	See below
Holding Force	6.0 lbs (26.7 N) at 20°C
Coil Insulation	Class "A": 105°C max. temperature standard. Other temperature classes are available
Coil Termination	1/4" QC
Plunger Weight	1.2 oz. (34 g)
Total Weight	6.8 oz. (192.8 g)
Dimensions	See page H48

Performance

Maximum Duty Cycle	100%	50%	25%	10%		
Maximum ON Time (sec) when pulsed continuously	∞	45	20	7		
Maximum ON Time (sec) for single pulse	∞	453	160	47		
Watts (@ 20°C)	10	20	40	100		
Ampere Turns (@ 20°C)	1188	1684	2377	3763		
Coil Data						
Part Number	Resistance (@20°C)	Ref # Turns	VDC (Nom)	VDC (Nom)	VDC (Nom)	VDC (Nom)
C34-273-M-33	3.64	632	6	8.5	12	19
C34-272-M-33	14.47	1224	12	17	24	38
C34-271-M-33	57.65	2424	24	34	48	76
C34-270-M-33	229.17	4777	48	68	96	152
C34-269-M-33	1428	11907	120	169	240	378

Typical Force @ 20°C



How to Order

Select the part number from the table provided. (For example, to order a 25% duty cycle unit rated at 48 VDC, specify C34-271-M-33.

Please see www.ledex.com (click on Stock Products tab) for our list of stock products available through our North American distributors.

LINEAR Open Frame

NOTES:

1. All data is typical.
2. Force testing is done with the solenoid in the horizontal position.
3. All data reflects operation with no heatsink.
4. Magnetic latching versions available.
5. Pull versions standard; push versions available.
6. Other coil terminations available.

Force values for reference only.

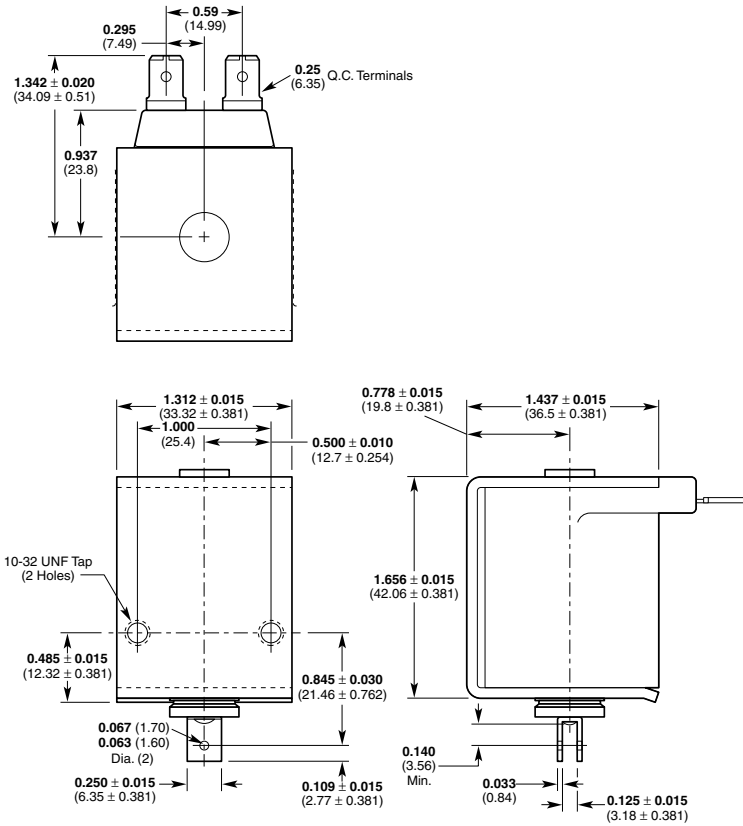
All specifications subject to change without notice.

Ledex® C Frame Dimensions

Inches (mm)

All solenoids are illustrated in energized state

C34



LINEAR Open Frame