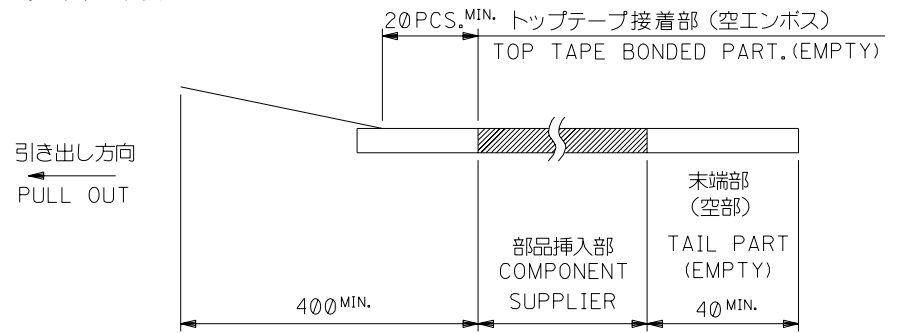


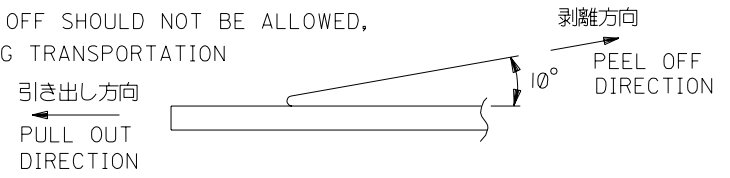
注記 NOTES

- 製品番号 52559-**-19 の梱包状態はアクチュエータがロックした状態とする。
詳細寸法については図面 SD-52559-027 を参照下さい。
IN THE PACKAGE,ACTUATOR OF PART NO.52559-**-19 SHOULD BE LOCKED RE DETAILED DIMENSIONS,SEE SD-52559-027
- 梱包数量：1000個/リール
NUMBER OF CONNECTORS:1000PCS/REEL
- リードテープ長さ LEAD TAPE LENGTH



- トップテープの剥離強度：(剥離方向は下図参照)
0.1~1.3N {10gf~130gf} 尚、本規格値は、出荷時に適用。
(但し、輸送時に剥離が発生しない事。)

PEELING OFF FORCE OF TOP TAPE
0.1~1.3N{10gf~130gf}(PEELING DIRECTION AS SHOWN IN FOLLOWING FIG.)
THIS REQUIREMENT SHOULD BE APPLIED AT SHIPMENT
PEEL OFF SHOULD NOT BE ALLOWED,
DURING TRANSPORTATION



- 材料
キャリアテープ：ポリプロピレン (PP)
トップテープ：PET, PE, PEF
リール：ポリスチレン (PS) <リサイクル材を含む>

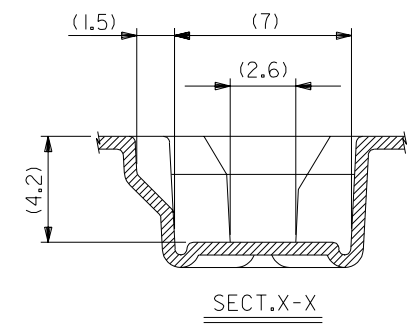
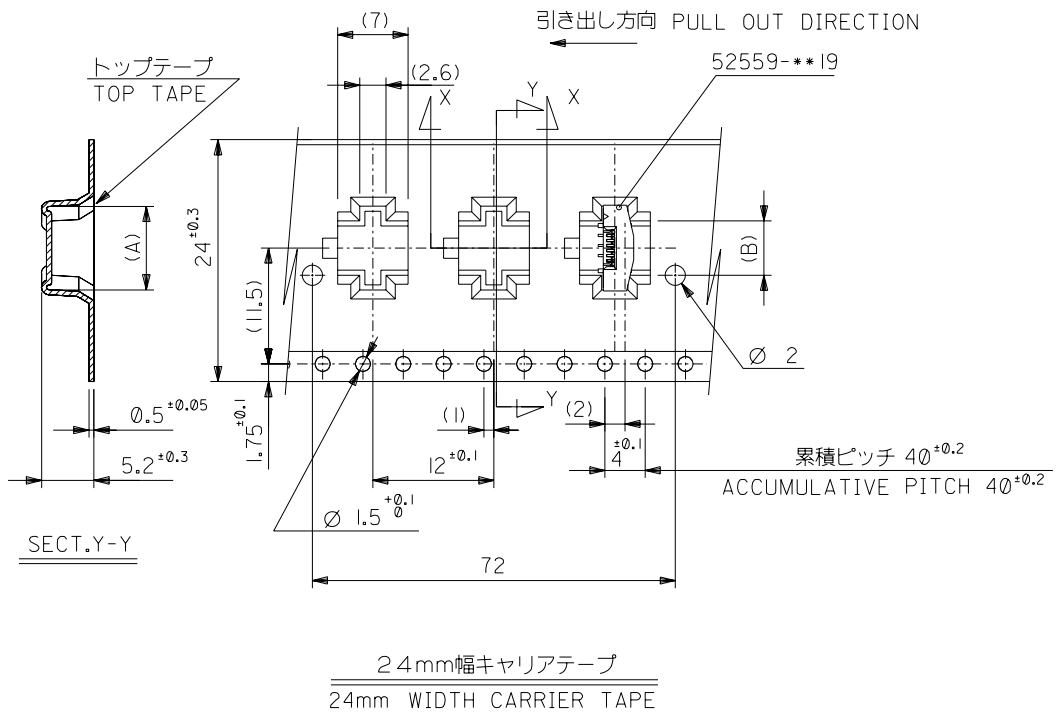
MATERIAL CARRIER TAPE:POLYPROPYLENE
TOP TAPE:PET,PE,PEF
REEL:POLYSTYREN(PS)
<RECYCLE MATERIAL CONTAINED>

- 本製品は 52559-**-92の鉛フリー品である。
THIS PRODUCT IS LEAD FREE OF 52559-**-92

DO NOT SCALE DRAWING

164 NO. DRAWN: CH'K: APP'R:	163 NO. DRAWN: CH'K: APP'R:	162 NO. DRAWN: CH'K: APP'R:	REVISED 161 NO. J2004-2769 DRAWN: H. SHIMABUKURO CH'K: K. TOJO APP'R: H. Sadao	RELEASED 160 NO. J2004-1818 DRAWN: H. SHIMABUKURO CH'K: K. TOJO APP'R: H. Sadao	MATERIAL 材料 注記参照 SEE NOTES	GENERAL TOLERANCES: (UNLESS SPECIFIED) 一般公差	SCALE —# DRAWN BY & DATE H. SHIMABUKURO '04/01/07	DESIGN UNITS <input checked="" type="checkbox"/> mm <input type="checkbox"/> INCH	DIMENSIONS: <input type="checkbox"/> mm <input type="checkbox"/> INCH <input checked="" type="checkbox"/> mm ONLY	SHT 1 OF 4	REV B REVISE ON CAD ONLY
			WIRE RANGE 適用層被覆範囲	FINISH 仕上げ	10 UNDER 未満 ±0.2 10 OVER 以上 30 UNDER 未満 ±0.25 30 OVER 以上 ±0.3	CHECKED BY & DATE K. TOJO '04/01/07	APPROVED BY & DATE H. Sadao '04/01/07	TITLE: 0.5 FPC Conn. Assy ZIF. For SMT, Embstp pkg -LEAD FREE-	CAD FILENAME SD-52559-028.S01	MATERIAL NO. 52559-**-72	DRAWING NO. SD-52559-028

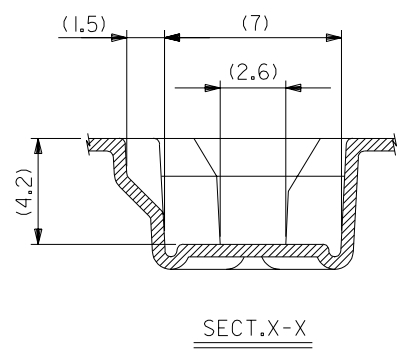
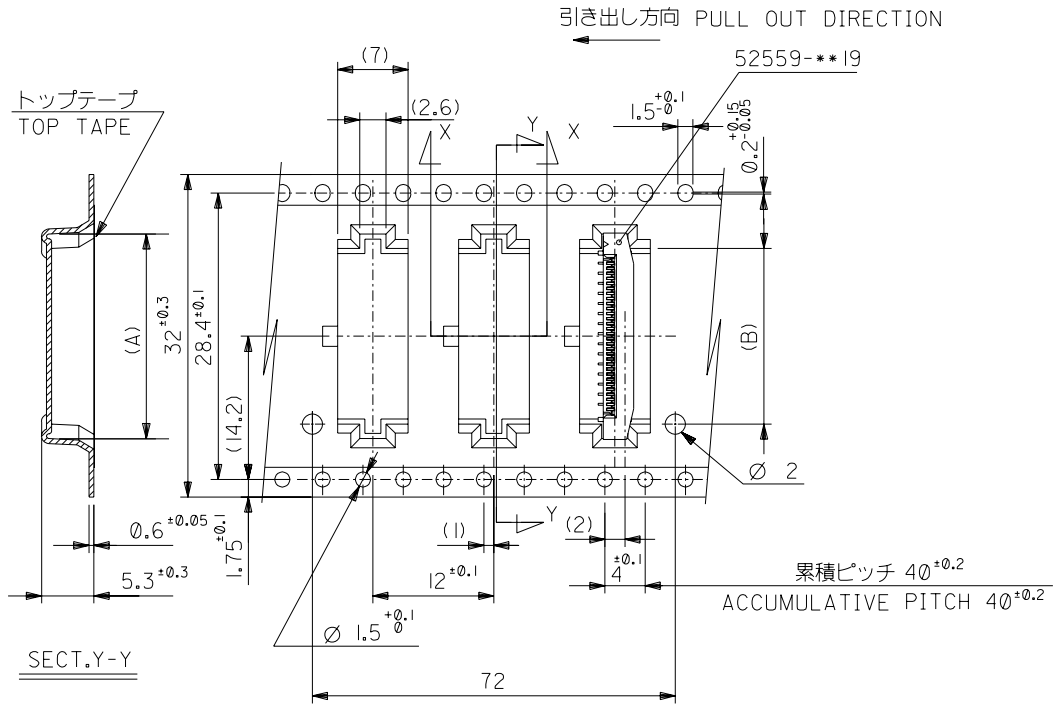
THIS DRAWING CONTAINS INFORMATION THAT IS PROPRIETARY TO MOLEX INCORPORATED AND SHOULD NOT BE USED WITHOUT WRITTEN PERMISSION.



24	29.4	25.4	14.4	17.3	52559-2472	24		
			13.9	16.8	52559-2372	23		
			12.9	15.8	52559-2172	21		
			12.4	15.3	52559-2072	20		
			10.9	13.8	52559-1772	17		
			10.4	13.3	52559-1672	16		
			9.9	12.8	52559-1572	15		
			9.4	12.3	52559-1472	14		
			8.4	11.3	52559-1272	12		
			7.4	10.3	52559-1072	10		
6.9	9.8	52559-0972	9					
5.4	8.3	52559-0672	6					
キャリアテープ幅 CARRIER TAPE WIDTH			D	C	(B)	(A)	MATERIAL NO.	CIRCUIT NO.

DO NOT SCALE DRAWING

264NO. DRWN: CH'K: APPR: 263NO. DRWN: CH'K: APPR: 262NO. DRWN: CH'K: APPR:	REVISED 261NO. J2004-2769 DRWN:H.SHIMABUKURO CH'K: K.TOJO APPR: H. Saito	RELEASED 260NO. J2004-1818 DRWN:H.SHIMABUKURO CH'K: K.TOJO APPR: H. Saito	MATERIAL 材料 注記参照 SEE NOTES	GENERAL TOLERANCES: (UNLESS SPECIFIED) 一般公差 10 UNDER 未満 ±0.2 10 OVER 以上 30 UNDER 未満 ±0.25 30 OVER 以上 ±0.3 ANGLE 角度 ±3°	SCALE 1:1 DESIGN UNITS mm INCH DRAWN BY & DATE H.SIMABUKURO '04/01/07 CHECKED BY & DATE T.TOJO '04/01/07 APPROVED BY & DATE H. Saito '04/01/07 CAD FILENAME SD-52559-028.S01	DIMENSIONS: mm INCH 45° 45° 45° 45° 45° 45° SHT 2 REV 4 BEWISE ON CAD ONLY	TITLE: 0.5 FPC Conn. Assy ZIF. For SMT,Embstp pkg -LEAD FREE- MOLEX INCORPORATED	MATERIAL NO. 52559-**-72 DRAWING NO. SD-52559-028 SHEET NO. 2 OF 4	SIZE B
---	---	--	----------------------------------	--	---	---	--	--	--------

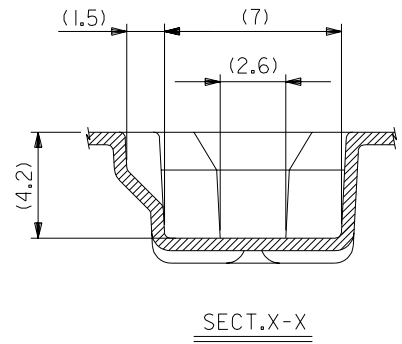
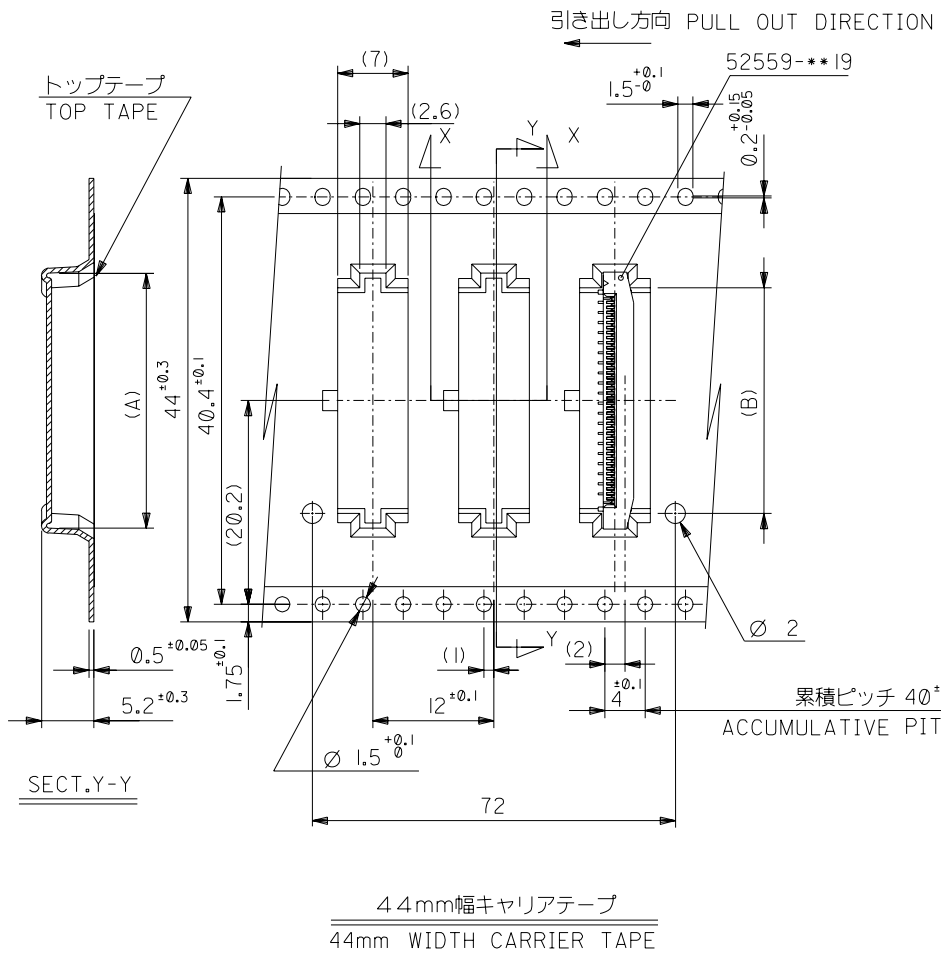


32	37.4	33.4	18.4	21.3	52559-3272	32
			17.4	20.3	52559-3072	30
			16.4	19.3	52559-2872	28
			15.9	18.8	52559-2772	27
			15.4	18.3	52559-2672	26
キャリアテープ幅 CARRIER TAPE WIDTH	D	C	(A)	MATERIAL NO.		CIRCUIT NO.

DO NOT SCALE DRAWING

66 NO. DRWN: CH'K: APPR:	63 NO. DRWN: CH'K: APPR:	62 NO. DRWN: CH'K: APPR:	REVISED 61 NO. J2004-2769 DRWN: H. SHIMABUKURO CH'K: K. TOJO APPR: H. Saito	RELEASED 60 NO. J2004-1818 DRWN: H. SHIMABUKURO CH'K: K. TOJO APPR: H. Saito	MATERIAL 材料 注記参照 SEE NOTES	GENERAL TOLERANCES: (UNLESS SPECIFIED) 一般公差 10 UNDER 未満 ± 0.2 10 OVER 以上 30 UNDER 未満 ± 0.25 30 OVER 以上 ± 0.3 WIRE RANGE 適用層線範囲 ANGLE 角度 $\pm 3^\circ$	SCALE DESIGN UNITS 20° 45° 60° 90° 120° 135° 150° 180° DIMENSIONS: 20° 45° 60° 90° 120° 135° 150° 180° DIMENSIONS: mm INCH mm ONLY	SHT REV
			A	0	FINISH 仕上げ WIRE RANGE 適用層線範囲 INS. RANGE 被覆外径	TITLE: 0.5 FPC Conn. Assy ZIF. For SMT, Embstp pkg -LEAD FREE- MOLEX INCORPORATED	CAD FILENAME MATERIAL NO. DRAWING NO. SHEET NO.	

DWG. NO. SD-52559-028



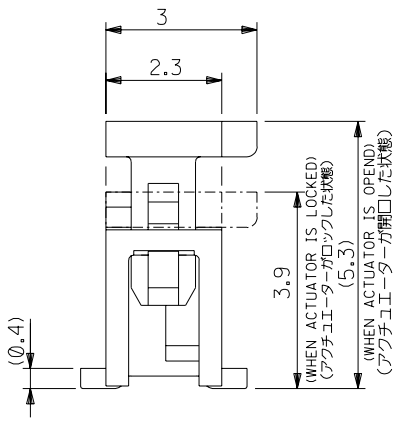
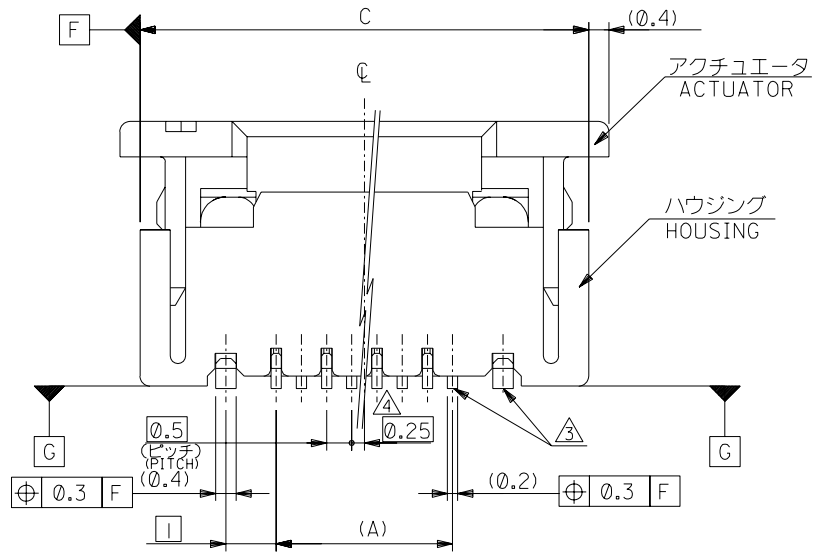
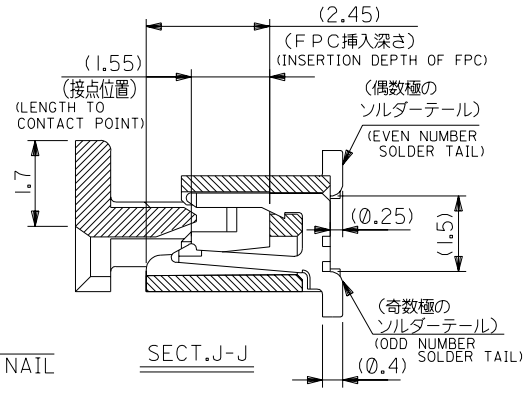
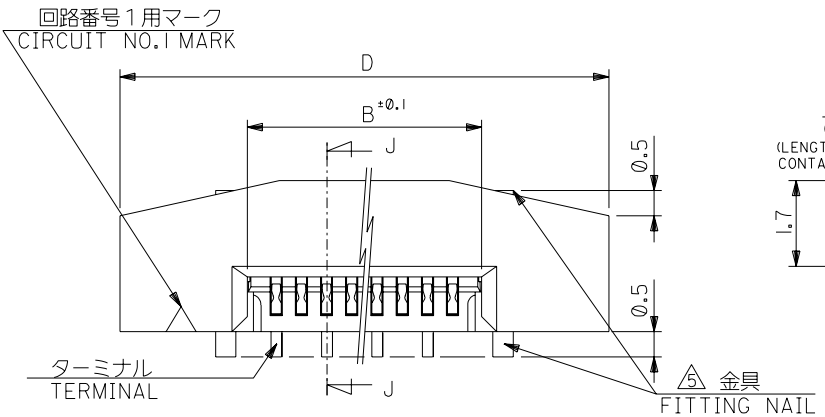
44mm幅キャリアテープ
44mm WIDTH CARRIER TAPE

44	49.4	45.4	22.4	25.3	52559-4072	40
キャリアテープ幅 CARRIER TAPE WIDTH	D	C	(B)	(A)	MATERIAL NO.	CIRCUIT NO.

DO NOT SCALE DRAWING

REVISED	64NO. J2004-2769 DRAWN: H. SHIMABUKURO CHK: K. TOJO APPR: H. Saito	MATERIAL 材料 注記参照 SEE NOTES	GENERAL TOLERANCES: (UNLESS SPECIFIED) 一般公差	SCALE	DESIGN UNITS mm INCH	DIMENSIONS: mm INCH mm ONLY	SHT	REV
	63NO. J2004-1818 DRAWN: H. SHIMABUKURO CHK: K. TOJO APPR: H. Saito		10 UNDER 未満 ±0.2	10 OVER 30 UNDER 未満 ±0.25	30 OVER 以上 ±0.3		DRAWN BY & DATE H. SHIMABUKURO '04/01/07	CHECKED BY & DATE K. TOJO '04/01/07
0	62NO. J2004-1818 DRAWN: H. SHIMABUKURO CHK: K. TOJO APPR: H. Saito	FINISH 仕上げ	WIRE RANGE 適用層線範囲	ANGLE 角度 ±3°	CAD FILENAME SD-52559-028.S04	MATERIAL NO. 52559-***72	DRAWING NO. SD-52559-028	SHEET NO. 4 OF 4
		INS. RANGE 被覆外径			THIS DRAWING CONTAINS INFORMATION THAT IS PROPRIETARY TO MOLEX INCORPORATED AND SHOULD NOT BE USED WITHOUT WRITTEN PERMISSION.			SIZE B

DWG. NO. SD-52559-045



注記 NOTES

- 使用材料: MATERIAL
 ハウジング :46NYLON UL94V-0
 アクチュエータ :PPS UL94V-0
 ターミナル :リン青銅 (t=0.2) PHOS-BRO
 :錫ビスマスメッキ 1.0マイクロメートル以上 TIN-BISMUTH 1.0 MICROMETER MINIMUM
 :ニッケル下地 1.0マイクロメートル以上 NICKEL(UNDER PLATING) 1.0 MICROMETER MINIMUM
 金具 :リン青銅 (t=0.4) PHOS-BRO
 FITTING NAIL :錫メッキ 1.0マイクロメートル以上 TIN 1.0 MICROMETER MINIMUM
 :ニッケル下地 1.0マイクロメートル以上 NICKEL(UNDER PLATING) 1.0 MICROMETER MINIMUM
- エンボステープ梱包時は、アクチュエータがロックした状態とする。
 IN THE PACKAGE,ACTUATOR OF PART NO.52559-***19 SHOULD BE LOCKED.
 △ソルダータール半田付け面のズレ量、及び金具半田付け面のズレ量は、基準面 G に対し上方向 0.05 MAX. , 下方向 0.15 MAX. とする。
 MISALIGNMENT OF SOLDER TAILS AND FITTING NAILS FROM G UPPER DIRECTION:0.05 MAX. , LOWER DIRECTION:0.15 MAX.
- 偶数極に適用。
 APPLY FOR EVEN CIRCUIT.
- パターンはくり止め用金具。
 FITTING NAIL FOR PREVENTION OF PEELING OF P.C.B. PATTERN.
- R0.3は、FPCの導体部にかからないこと。
 R0.3 MUST NOT BE OVERLAPPED TO PATTERN OF FPC.
- 本製品は 52559-***17 の鉛フリー品である。
 THIS PRODUCT IS LEAD FREE OF 52559-***17

DO NOT SCALE DRAWING

64NO. DRWN: CH'K: APPR: 63NO. DRWN: CH'K: APPR: 62NO. DRWN: CH'K: APPR:	REVISED 61NO. J2004-3551 DRWN:H.KAWABATA 04/04/05 CH'K: K.TOJO 04/04/05 APPR: H. Sasaki 04/04/05	RELEASED 60NO. J2004-1818 DRWN:H.SHIMABUKURO 04/01/07 CH'K: K.TOJO 04/01/07 APPR: H. Sasaki 04/01/07
MATERIAL 材料	注記参照 SEE NOTES	
FINISH 仕上げ	—	
WIRE RANGE 適用層線範囲	—	
INS. RANGE 被覆外径	—	

GENERAL TOLERANCES: (UNLESS SPECIFIED) 一般公差	SCALE 1:1	DESIGN UNITS 一般公差
10 UNDER 未満 ±0.2	mm □ mm □ INCH	PROJECTION
10 OVER 以上 30 UNDER 未満 ±0.25	mm □ mm □ INCH	
30 OVER 以上 ±0.3		
ANGLE 角度 ±3°		

DRAWN BY & DATE H.SHIMABUKURO 04/01/07	TITLE: 0.5 FPC Conn. Assy ZIF. -LEAD FREE-		
CHECKED BY & DATE K.TOJO 04/01/07			
APPROVED BY & DATE H. Sasaki 04/01/07			
CAD FILENAME SD-52559-045.S01	MATERIAL NO. SEE CHART	DRAWING NO. SD-52559-045	SHEET NO. 1 OF 2

MODEL NO. 52559-***19	DIMENSIONS: mm □ mm □ INCH □ mm □ mm □ INCH	SHT 1	REV 02
MOLEX INCORPORATED DRAWING NO. SD-52559-045			

THIS DRAWING CONTAINS INFORMATION THAT IS PROPRIETARY TO MOLEX INCORPORATED AND SHOULD NOT BE USED WITHOUT WRITTEN PERMISSION. SIZE B

SD-52559-045.S01

DWG. NO. SD-52559-045

F

D

V

C

B

DO NOT SCALE DRAWING

8 7 6 5 4 3 2 1

F

E

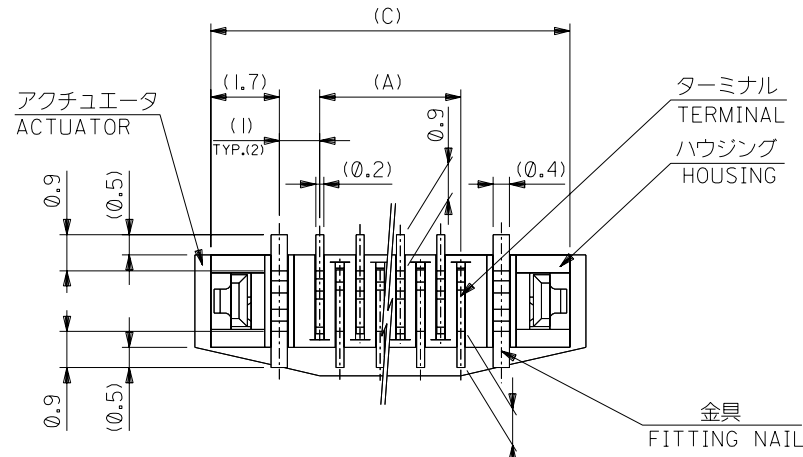
D

C

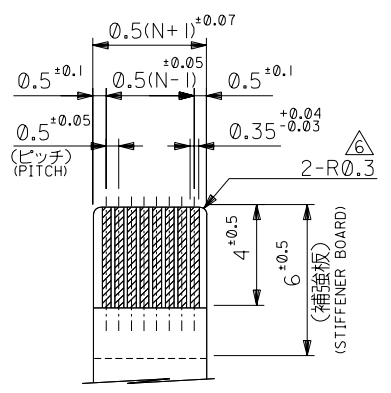
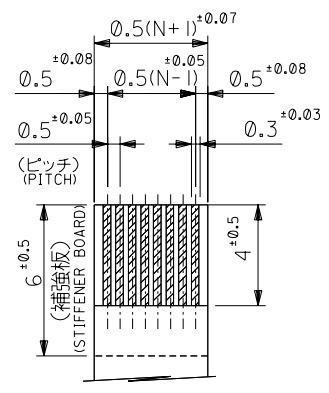
B

FPCについて：
 打抜き方向は導体側から補強板側を推奨致します。
 補強フィルム材質はポリイミドを推奨致します。
 接着剤は熱硬化接着剤を推奨致します。

ABOUT FPC :
 RECOMMENDED PUNCHER DIRECTION : FROM CONDUCTOR SIDE TO STIFFENER BOARD SIDE.
 RECOMMENDED MATERIAL :
 STIFFENER FILM : POLYIMIDE
 BONDING AGENT : THERMOSETTING BONDING AGENT

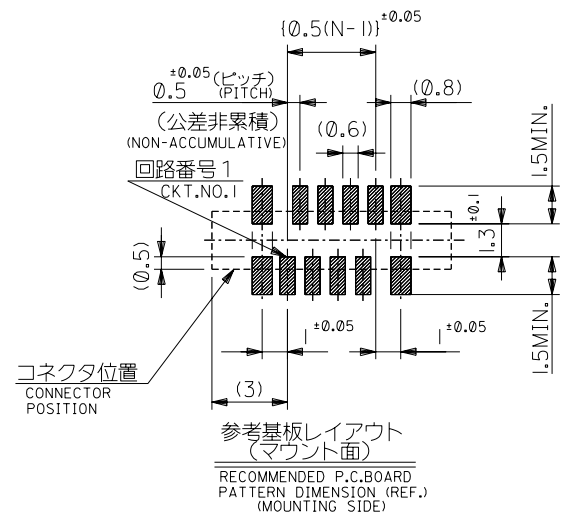


下面図
 BOTTOM VIEW



適合FPC推奨寸法
 APPLICABLE FPC
 RECOMMENDED DIMENSION.
 (仕上がり厚さ: 0.3±0.05)
 (THICKNESS: 0.3±0.05)

適合FPC推奨寸法
 APPLICABLE FPC
 RECOMMENDED DIMENSION.
 (仕上がり厚さ: 0.3±0.05)
 (THICKNESS: 0.3±0.05)



25.7	24.9	20.65	19.5	52559-4019	40
23.7	22.9	18.65	17.5	-3619	36
22.2	21.4	17.15	16.0	-3319	33
21.7	20.9	16.65	15.5	-3219	32
21.2	20.4	16.15	15.0	-3119	31
20.7	19.9	15.65	14.5	-3019	30
20.2	19.4	15.15	14.0	-2919	29
19.7	18.9	14.65	13.5	-2819	28
19.2	18.4	14.15	13.0	-2719	27
18.7	17.9	13.65	12.5	-2619	26
18.2	17.4	13.15	12.0	-2519	25
17.7	16.9	12.65	11.5	-2419	24
17.2	16.4	12.15	11.0	-2319	23
16.7	15.9	11.65	10.5	-2219	22
16.2	15.4	11.15	10.0	-2119	21
15.7	14.9	10.65	9.5	-2019	20
15.2	14.4	10.15	9.0	-1919	19
14.7	13.9	9.65	8.5	-1819	18
14.2	13.4	9.15	8.0	-1719	17
13.7	12.9	8.65	7.5	-1619	16
13.2	12.4	8.15	7.0	-1519	15
12.7	11.9	7.65	6.5	-1419	14
12.2	11.4	7.15	6.0	-1319	13
11.7	10.9	6.65	5.5	-1219	12
11.2	10.4	6.15	5.0	-1119	11
10.7	9.9	5.65	4.5	-1019	10
10.2	9.4	5.15	4.0	-0919	9
9.7	8.9	4.65	3.5	-0819	8
8.7	7.9	3.65	2.5	52559-0619	6
D	C	B	(A)	MATERIAL NO.	極致

0000 NO. DRWN: CH'K: APPR: 0000 NO. DRWN: CH'K: APPR: 0000 NO. DRWN: CH'K: APPR:	REVISED 02004-3551 DRWN: H.KAWABATA '04/04/05 CH'K: K.TOJO '04/04/05 APPR: H. Saitoh '04/04/05	RELEASED 02004-1818 DRWN: H.SHIMABUKURO '04/01/07 CH'K: K.TOJO '04/01/07 APPR: H. Saitoh '04/01/07	MATERIAL 材料 注記参照 SEE NOTES	GENERAL TOLERANCES: (UNLESS SPECIFIED) 一般公差 10 UNDER 未満 ±0.2 10 OVER 以上 30 UNDER 未満 ±0.25 30 OVER 以上 ±0.3	SCALE 1:1 DESIGN UNITS <input checked="" type="checkbox"/> mm <input type="checkbox"/> INCH PROJECTION <input checked="" type="checkbox"/> 1ST ANGLE <input type="checkbox"/> 3RD ANGLE	MODEL NO. 52559-***19 DIMENSIONS: <input type="checkbox"/> mm <input type="checkbox"/> INCH <input checked="" type="checkbox"/> mm ONLY REVISION ON CAD ONLY	TITLE: 0.5 FPC Conn. Assy ZIF. -LEAD FREE-	MOLEX MOLEX INCORPORATED	CAD FILENAME SD-52559-045.S02	MATERIAL NO. SEE CHART	DRAWING NO. SD-52559-045	SHEET NO. 2 OF 2	SIZE B

8 7 6 5 4 3 2 1

SD-52559-045:5A