

Installation Instructions for Catalog Series 92PLC and 92PLC-DF AdaptaBeacon® Signals

Description

The Catalog Series 92PLC(*)-N5 and 92PLC-DF(*)-N5 AdaptaBeacon signals are UL and cUL Listed, general purpose visual signaling appliances suitable for indoor or outdoor (weatherproof) installation. The 92PLC(*)-N5 series signals are 120V single flash strobes and the 92PLC-DF(*)-N5 series signals are 120V double flash strobes. They are specifically designed for PLC compatibility and for flashing from either a PLC or an external relay.

The 92-LST strobe tube is rated by the manufacturer at 11 joules and 1.1 million peak candela. The 92-ST strobe tube is rated by the manufacturer at 14 joules and 1.4 million peak candela.

The AdaptaBeacon signals utilize a standard base that allows direct surface mounting, mounting on a 4" (102mm) octagon box or mounting on 1/2" (13mm) NPT conduit. The strobe is electrically isolated to prevent false flashes. The unit also installs easily without having to add drop resistors to the PLC output card.

For replacement strobe tubes and lenses, see "Replacement Parts."

PLC Compatibility

The electrical input load requirements for PLC compatible signaling devices are listed in Table 1. Signaling devices may be directly connected to output cards that meet these input load requirements.

Specifications

Catalog Number	Rated	Strobe Tube Life**
92PLC(*)-N5	120V AC	5,000 Hours
92PLC-DF(*)-N5	50/60 Hz	3,000 Hours
	0.1 Amps	

*Select color of lens by adding one of the following letters to the cat. no.: A-amber, B-blue, C-clear, G-green, M-magenta or R-red.

**Calculated strobe tube life at operating power to 75% efficiency.

Installation

Install in accordance with the latest edition of the National Electrical Code and applicable local codes.

Table 1. PLC Compatibility

Cat. No.	Operating voltage*	Maximum off state leakage current (mA)	Continuous on current (mA)	Surge (inrush/duration) (A/ms**)
92PLC()-N5	120V AC	5	100	20/0.075
92PLC-DF()-N5	120V AC	5	100	20/0.075

*All AC volts at 60 Hz **Amps/milliseconds



WARNING

To prevent electrical shock, ensure that power is disconnected before installing the signal.



CAUTION

To prevent leakage, use care when disassembling the signal to prevent tearing of weatherproof gaskets. Should a lens or other component resist removal due to adhesion to a gasket, *do not force apart by hand*. Carefully separate the components by prying them apart with a thin blade screwdriver.

1. Remove the screw in the clamp ring and remove the ring (Figure 1).
2. Lift the lens off of the signal base, remove the strobe tube support plate and pull the wire leads out of the conduit entrance hole in the base. Exercise care so as to not tear the gaskets that are permanently attached to the lens and signal base.
3. Mount the base using one of the following methods.



CAUTION

To prevent leakage when mounting outdoors, the signal must be conduit mounted with the lens facing directly up.

NOTE: For indoor installation, the signal may be direct surface mounted, mounted on a 4" (102mm) octagon box, or mounted on 1/2" (13mm) NPT conduit. For outdoor (weatherproof) installation, the signal must be conduit mounted with the lens facing directly up.

a. Direct Surface Mounting (indoor only)

Remove the (2) knockouts for mounting screws from the bottom of the signal base.

Route the field wiring from a 120V 50/60 Hz power source through the conduit entrance hole in the base.

Fasten the base to the surface using (2) #10 wood screws (not supplied) or other suitable hardware through the knockout holes in the base.

b. **Mounting on a 4" (102mm) Octagon Box (indoor only)**

Remove the (2) knockouts for mounting screws from the bottom of the signal base.

Route the field wiring from a 120V 50/60 Hz power source through the conduit entrance hole in the base.

Fasten the base to the octagon box (not supplied) using the screws supplied with the box through the knockout holes in the base.

c. **Mounting on 1/2" (13mm) NPT Conduit (indoor or outdoor)**

Route the field wiring from a 120V 50/60 Hz power source through the conduit and then through the conduit entrance hole in the base.

Install the base on the conduit.

4. Connect the field wiring to the signal wire leads using wire nuts (not supplied). Polarity is not important. Connect the green ground wire leads using wire nuts (not supplied). Place the connected wires inside the base and reassemble the signal on the base.
5. Turn on power and verify that the signal operates properly.

Maintenance



WARNING

To prevent electrical shock, disconnect power and allow five minutes for stored energy to dissipate before disassembling the signal.



CAUTION

To prevent leakage, use care when disassembling the signal to prevent tearing of the weatherproof gaskets.

Cleaning



CAUTION

To prevent damage to the lens, *do not* use abrasive materials or cleaners.

Clean the signal lens periodically with a soft cloth or sponge using water or a mild detergent solution to maintain optimum light visibility. Ensure that the lens is completely dry before replacing.

Strobe Tube Replacement

Refer to "Replacement Parts" for the required strobe tube.

1. Lift the lens off of the signal base being careful not to tear the gaskets permanently affixed to the lens.



CAUTION

To prevent damage to the external strobe tube wire and strobe tube, handle the strobe tube *only* by the base.

2. Grasp the base of the strobe tube and pull firmly, or carefully pry between the strobe tube base and the socket to remove the tube from the socket. Install the new strobe tube by aligning the key on the strobe tube base with the slot in the socket and then pressing the strobe tube base onto the socket. Reassemble the signal.
3. Turn on the power and verify that the strobe operates.

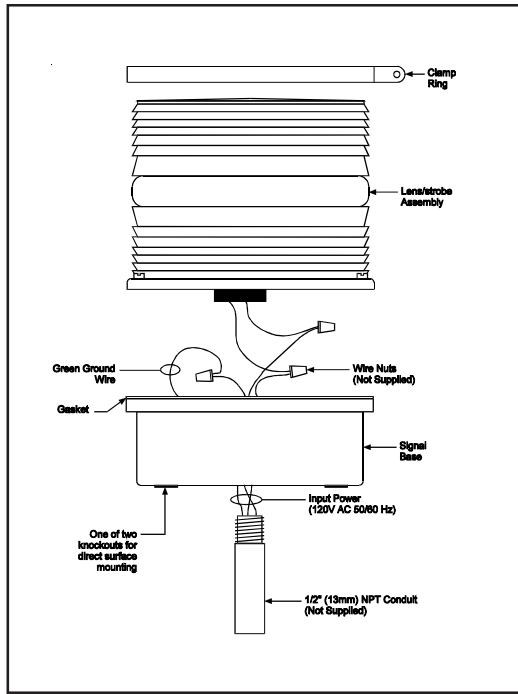


Figure 1. Mounting

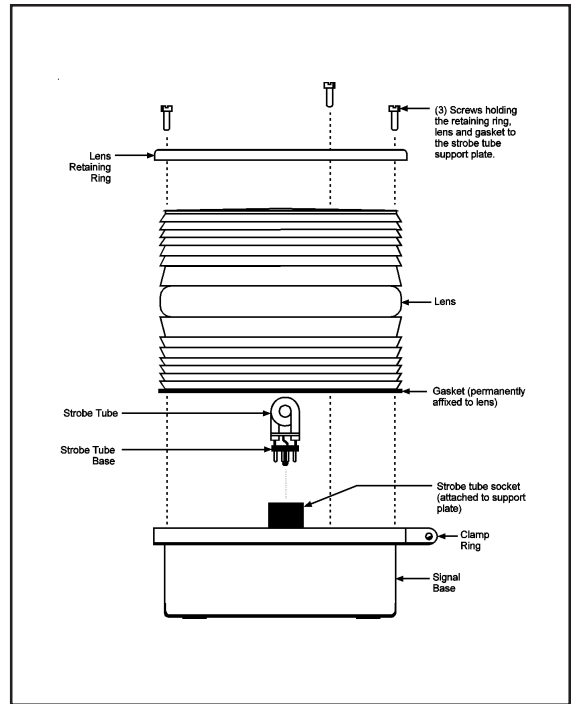


Figure 2. Replacing the Strobe Tube

Replacement Parts

Replacement parts are available from your local Edwards distributor

AdaptaBeacon Model	Component	Catalog Number
92PLC(*)-N5	Strobe tube, Xenon	92-LST
92PLC-DF(*)-N5	Strobe tube, Xenon	92-ST
92PLC Series	Lens	V93-L(*)

*Specify color of lens by adding one of the following letters to the catalog number: A-amber, B-blue, C-clear, G-green, M-magenta or R-red.