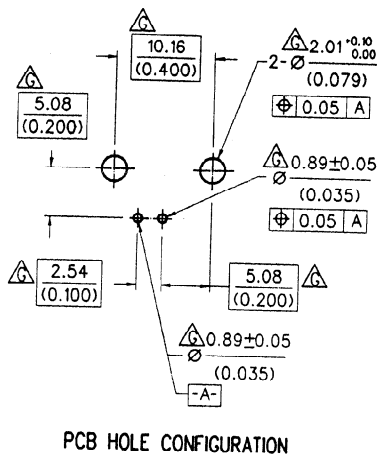


ENC. NO. SDA-73138-5033
 EDP. NO.
 SIMILAR ITEM
 CADFILE NO. 3385033.DGN
 DO NOT SCALE DRAWING



PCB HOLE CONFIGURATION

CONSTRUCTION:

- BODY-----ZINC ALLOY
- CENTER CONTACT---PHOSPHOR BRONZE
- INSULATOR-----POLYPROPYLENE (94 V-2)
- MOUNTING POST-----BRASS
- SOLDER TAIL-----COPPER OVER STEEL WIRE
- WASHER-----PHOSPHOR BRONZE
- NUT-----BRASS

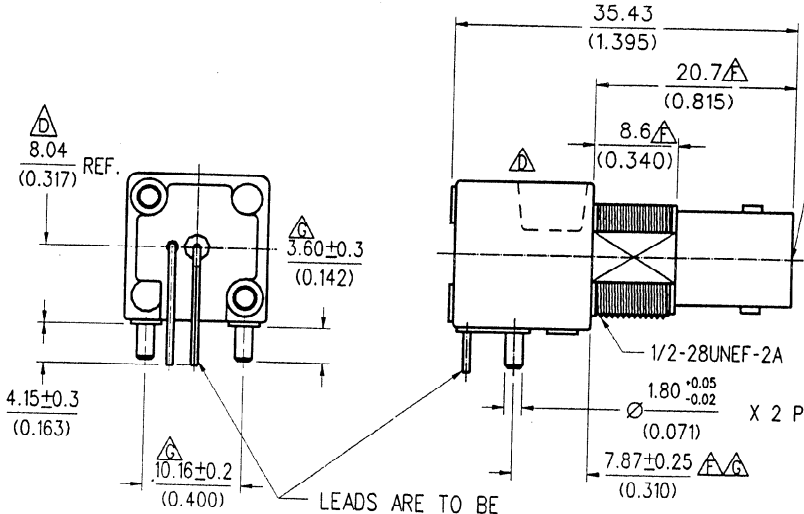
FINISH:

- BODY-----NICKEL PLATING
- △CENTER CONTACT---GOLD FLASH
- SOLDER TAIL-----TIN PLATING
- MOUNTING POST-----TIN PLATING
- WASHER-----NICKEL PLATING
- NUT-----NICKEL PLATING

MECHANICAL & ELECTRICAL CHARACTERISTICS:
 PER PRODUCT SPECIFICATION PS-73598-0050

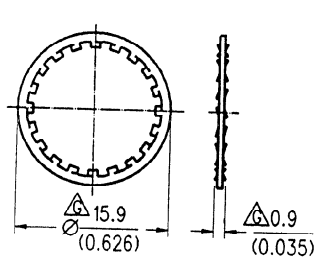
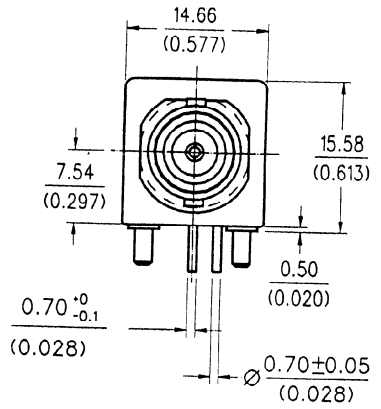
MATERIAL & FINISHES:
 PER PRODUCT SPECIFICATION PS-73598-0050

PACKAGING:
 PLASTIC TRAYS

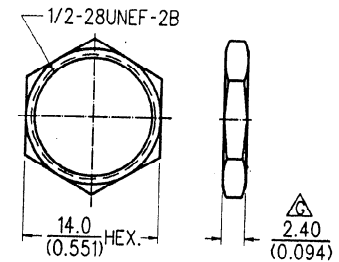


LEADS ARE TO BE ADJUSTED TO FIT PCB PATTERN

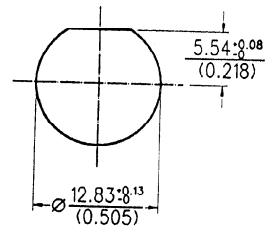
INTERFACE PER MOLEX STANDARD ES-73599-0000



LOCK WASHER



JAM NUT



RECOMMENDED MOUNTING HOLE
 MAXIMUM PANEL THICKNESS: 5.5 mm
 RECOMMENDED MOUNTING TORQUE 17 inch-pounds MAX.

MATERIAL : SEE NOTE		MOLEX TAIWAN LTD. (R.F. DIVISION)
FINISH : SEE NOTE		
SCALE : 2:1 UNIT : mm(INCH)		GENERAL TOLERANCES ANGLE : ± 3° DIM. ± 0.25 (± 0.1)
DRAWN BY : IRIS WANG 9/02/26		
CHK'D BY : Iris Wang 05/10/04		DRW. NO. : SDA-73138-5033
APPR'D BY : [Signature]		REV : A
TITLE : 50 OHMS BNC R/A PCB RECEPTACLE		
STANDARD ITEM <input type="checkbox"/> YES <input checked="" type="checkbox"/> NO		
SHEET 1 OF 1		