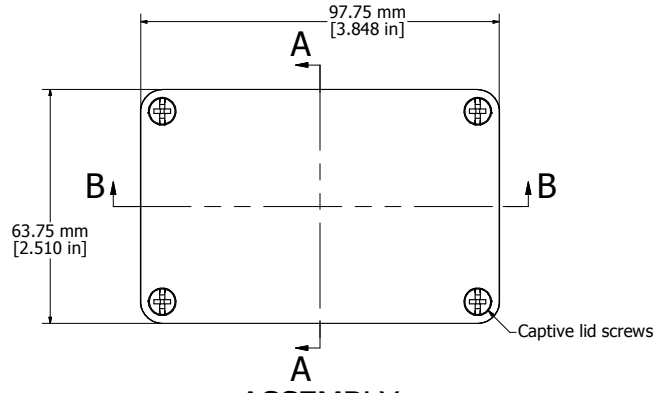
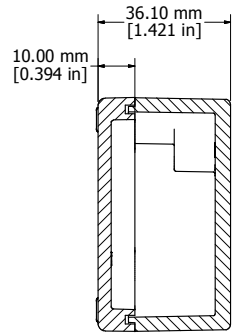


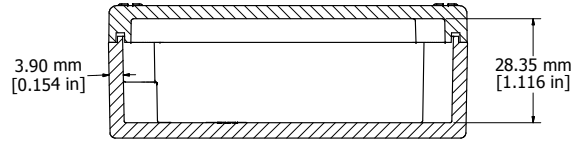
8 | 7 | 6 | 5 | 4 | 3 | 2 | 1



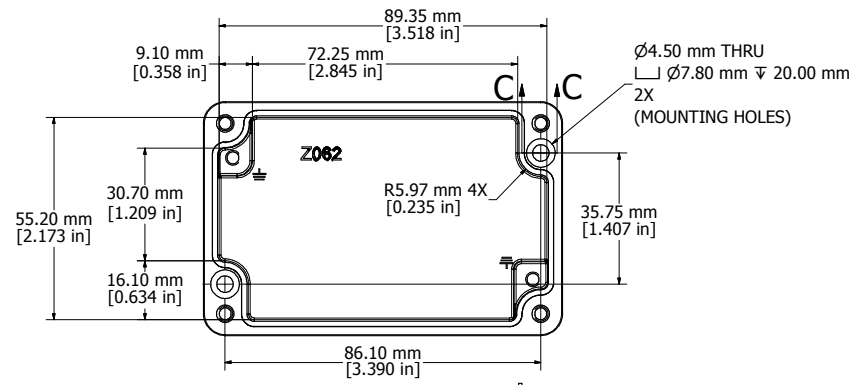
ASSEMBLY



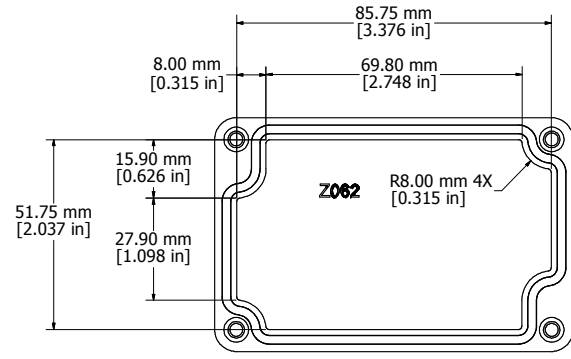
SECTION A-A



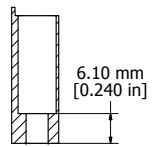
SECTION B-B



BOX - INSIDE



LID - INSIDE



SECTION C-C

UL US LISTED
File #E65324
NEMA 4, 4X

Enclosures can be Factory Modified (Milling, Drilling, Printing etc.)
Contact Factory - mjm@hammondmg.com for quotes
Solid models of this enclosure available in STEP or IGES.

NOTES	
Purchased assembly includes enclosure, M4x20 lid screws and M4x6 ground screws.	
Gasket - Preformed Silicone Rubber	
Cover screws should be torqued to 5-7.5 lbf.in (50-75 cN.m)	

1590Z062	
PART NUMBERS	
Basic Enclosure	1590Z062
Black Enclosure	1590Z062BK
Grey Enclosure - RAL7001 Gloss	1590Z062GY



8 | 7 | 6 | 5 | 4 | 3 | 2 | 1