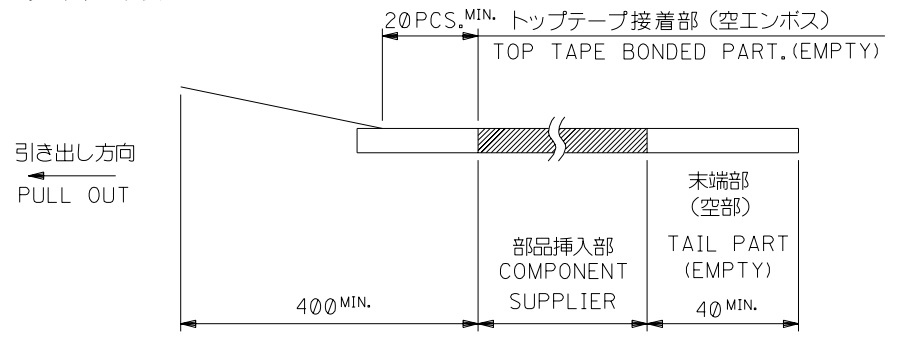


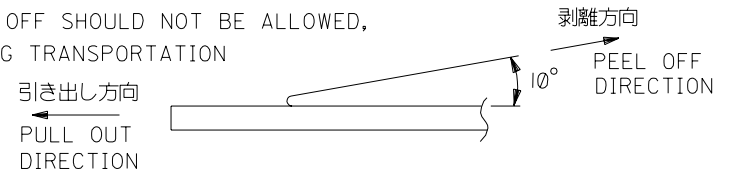
注記 NOTES

- 製品番号 52559-\*\*-19 の梱包状態はアクチュエータがロックした状態とする。  
詳細寸法については図面 SD-52559-027 を参照下さい。  
IN THE PACKAGE,ACTUATOR OF PART NO.52559-\*\*-19 SHOULD BE LOCKED RE DETAILED DIMENSIONS,SEE SD-52559-027
- 梱包数量：1000個/リール  
NUMBER OF CONNECTORS:1000PCS/REEL
- リードテープ長さ LEAD TAPE LENGTH



- トップテープの剥離強度：(剥離方向は下図参照)  
0.1~1.3N {10gf~130gf} 尚、本規格値は、出荷時に適用。  
(但し、輸送時に剥離が発生しない事。)

PEELING OFF FORCE OF TOP TAPE  
0.1~1.3N{10gf~130gf}(PEELING DIRECTION AS SHOWN IN FOLLOWING FIG.)  
THIS REQUIREMENT SHOULD BE APPLIED AT SHIPMENT  
PEEL OFF SHOULD NOT BE ALLOWED,  
DURING TRANSPORTATION



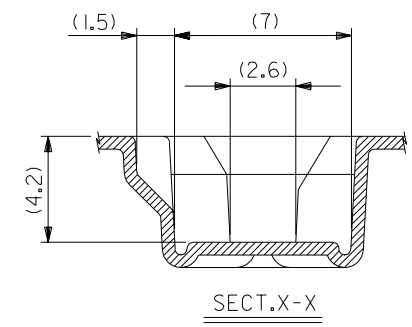
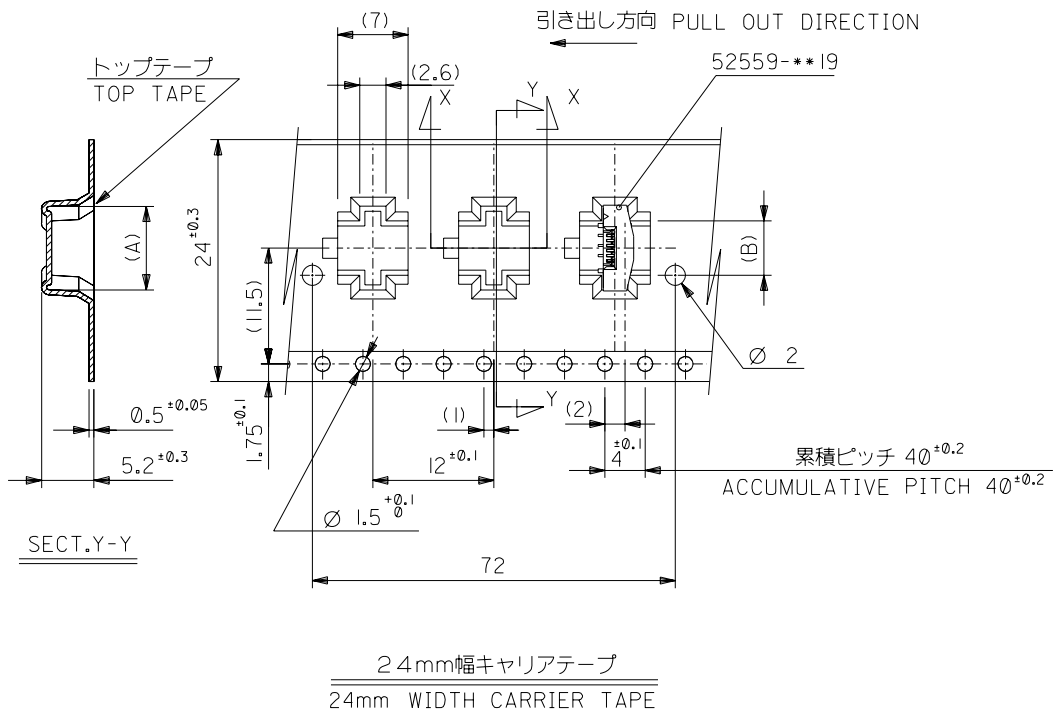
5. 材料 キャリアテープ：ポリプロピレン (PP)  
トップテープ：PET, PE, PEF  
リール：ポリスチレン (PS) <リサイクル材を含む>

MATERIAL CARRIER TAPE:POLYPROPYLENE  
TOP TAPE:PET,PE,PEF  
REEL:POLYSTYREN(PS)  
<RECYCLE MATERIAL CONTAINED>

6. 本製品は 52559-\*\*-92の鉛フリー品である。  
THIS PRODUCT IS LEAD FREE OF 52559-\*\*-92

DO NOT SCALE DRAWING

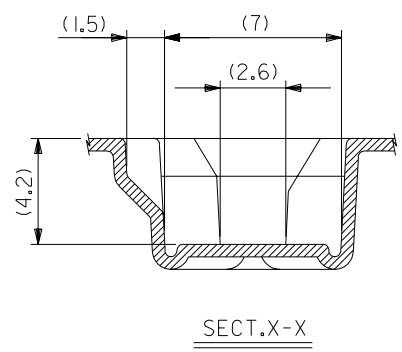
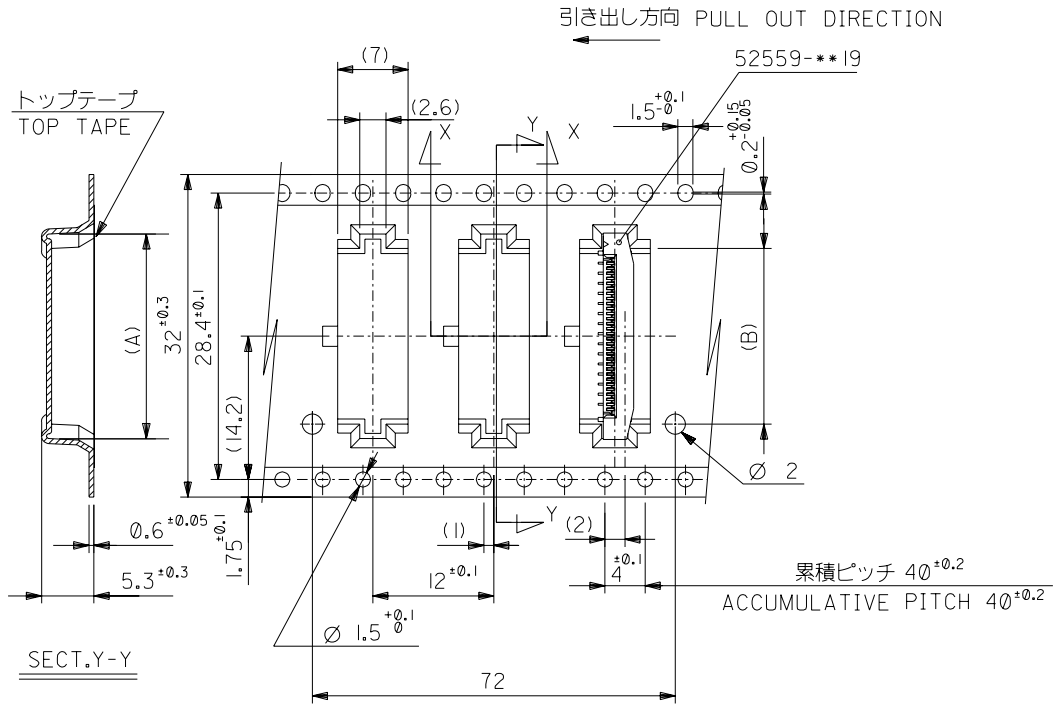
164NO. DRAWN: CHK: APPR:  163NO. DRAWN: CHK: APPR:  162NO. DRAWN: CHK: APPR:  A REVISED 161NO. J2004-2769 DRAWN: H.SHIMABUKURO CHK: K.TOJO APPR: H. Saeb  0 RELEASED 160NO. J2004-1818 DRAWN: H.SHIMABUKURO CHK: K.TOJO APPR: H. Saeb	MATERIAL 材料 注記参照 SEE NOTES  FINISH 仕上げ —  WIRE RANGE 適用層被覆範囲 —  INS. RANGE 被覆外径 —	GENERAL TOLERANCES: (UNLESS SPECIFIED) 一般公差 10 UNDER 未満 ±0.2 10 OVER 以上 30 UNDER 未満 ±0.25 30 OVER 以上 ±0.3 ANGLE 角度 ±3°	SCALE — DESIGN UNITS <input checked="" type="checkbox"/> mm <input type="checkbox"/> INCH 20° 2ND ANGLE PROJECTION DRAWN BY & DATE H.SHIMABUKURO '04/01/07 CHECKED BY & DATE K.TOJO '04/01/07 APPROVED BY & DATE H. Saeb '04/01/07 CAD FILENAME SD-52559-028.S01	DIMENSIONS: <input type="checkbox"/> mm <input type="checkbox"/> INCH <input checked="" type="checkbox"/> mm <input checked="" type="checkbox"/> mm ONLY SHT 1 OF 4 REV 22WISE ON CAD ONLY	
		TITLE: 0.5 FPC Conn. Assy ZIF. For SMT,Embstp pkg -LEAD FREE-		MOLEX INCORPORATED	MATERIAL NO. 52559-**-72 DRAWING NO. SD-52559-028 SHEET NO. 1 OF 4
		THIS DRAWING CONTAINS INFORMATION THAT IS PROPRIETARY TO MOLEX INCORPORATED AND SHOULD NOT BE USED WITHOUT WRITTEN PERMISSION.			SIZE B



24	29.4	25.4	14.4	17.3	52559-2472	24		
			13.9	16.8	52559-2372	23		
			12.9	15.8	52559-2172	21		
			12.4	15.3	52559-2072	20		
			10.9	13.8	52559-1772	17		
			10.4	13.3	52559-1672	16		
			9.9	12.8	52559-1572	15		
			9.4	12.3	52559-1472	14		
			8.4	11.3	52559-1272	12		
			7.4	10.3	52559-1072	10		
6.9	9.8	52559-0972	9					
5.4	8.3	52559-0672	6					
キャリアテープ幅 CARRIER TAPE WIDTH			D	C	(B)	(A)	MATERIAL NO.	CIRCUIT NO.

DO NOT SCALE DRAWING

264NO. DRWN: CH'K: APPR: 263NO. DRWN: CH'K: APPR: 262NO. DRWN: CH'K: APPR:	<b>REVISED</b> J2004-2769 DRWN: H. SHIMABUKURO CH'K: K. TOJO APPR: H. Saito	<b>RELEASED</b> J2004-1818 DRWN: H. SHIMABUKURO CH'K: K. TOJO APPR: H. Saito	MATERIAL 材料 注記参照 SEE NOTES	GENERAL TOLERANCES: (UNLESS SPECIFIED) 一般公差 10 UNDER 未満 ±0.2 10 OVER 以上 30 UNDER 未満 ±0.25 30 OVER 以上 ±0.3 ANGLE 角度 ±3°	SCALE 1:1 DESIGN UNITS mm INCH DRAWN BY & DATE H.SIMABUKURO '04/01/07 CHECKED BY & DATE T.TOJO '04/01/07 APPROVED BY & DATE H. Saito '04/01/07 CAD FILENAME SD-52559-028.S01	DIMENSIONS: mm INCH 45° 45° 45° 45° 45° 45° PROJECTION TITLE: 0.5 FPC Conn. Assy ZIF. For SMT, Embstp pkg -LEAD FREE- <b>MOLEX INCORPORATED</b>	SHT 2 REV OF 4 MATERIAL NO. 52559-**-72 DRAWING NO. SD-52559-028 SHEET NO. 2 OF 4	THIS DRAWING CONTAINS INFORMATION THAT IS PROPRIETARY TO MOLEX INCORPORATED AND SHOULD NOT BE USED WITHOUT WRITTEN PERMISSION. SIZE B
---	---	--	----------------------------------	--	---	---	---	--



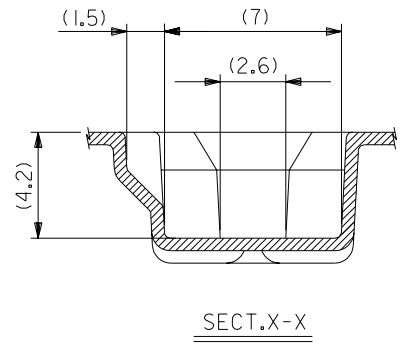
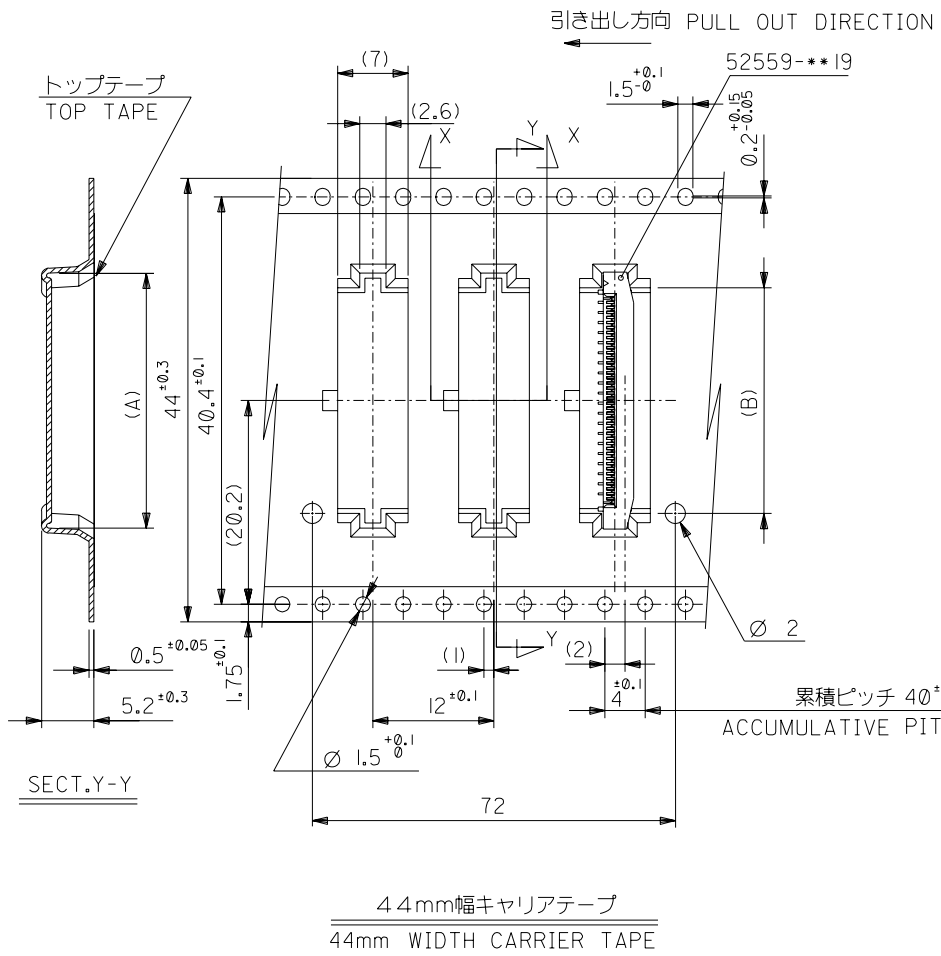
32mm幅キャリアテープ  
32mm WIDTH CARRIER TAPE

32	37.4	33.4	18.4	21.3	52559-3272	32
			17.4	20.3	52559-3072	30
			16.4	19.3	52559-2872	28
			15.9	18.8	52559-2772	27
			15.4	18.3	52559-2672	26
キャリアテープ幅 CARRIER TAPE WIDTH	D	C	(A)	MATERIAL NO.		CIRCUIT NO.

DO NOT SCALE DRAWING

62NO. DRWN: CH'K: APPR: 63NO. DRWN: CH'K: APPR: 62NO. DRWN: CH'K: APPR:	REVISED 61NO. J2004-2769 DRWN: H. SHIMABUKURO CH'K: K. TOJO APPR: H. Saito	RELEASED 60NO. J2004-1818 DRWN: H. SHIMABUKURO CH'K: K. TOJO APPR: H. Saito	MATERIAL 材料 注記参照 SEE NOTES	GENERAL TOLERANCES: (UNLESS SPECIFIED) 一般公差	SCALE 1:1	DESIGN UNITS mm	DIMENSIONS: mm	SHT 3 OF 4	REV 0		
				10 UNDER 未満 ±0.2	10 OVER 以上 30 UNDER 未満 ±0.25	30 OVER 以上 ±0.3	DRAWN BY & DATE H. SHIMABUKURO '04/01/07	CHECKED BY & DATE K. TOJO '04/01/07	APPROVED BY & DATE H. Saito '04/01/07	TITLE: 0.5 FPC Conn. Assy ZIF. For SMT, Embstp pkg -LEAD FREE-	MOLEX INCORPORATED
WIRE RANGE 適用層線範囲 INS. RANGE 被覆外径				THIS DRAWING CONTAINS INFORMATION THAT IS PROPRIETARY TO MOLEX INCORPORATED AND SHOULD NOT BE USED WITHOUT WRITTEN PERMISSION.				SIZE B			

DWG. NO. SD-52559-028



44	49.4	45.4	22.4	25.3	52559-4072	40
キャリアテープ幅 CARRIER TAPE WIDTH	D	C	(A)	(A)	52559-3672	36
					MATERIAL NO.	CIRCUIT NO.

DO NOT SCALE DRAWING

64NO. DRWN: CH'K: APPR: 63NO. DRWN: CH'K: APPR: 62NO. DRWN: CH'K: APPR:	REVISED 61NO. J2004-2769 DRWN: H. SHIMABUKURO CH'K: K. TOJO APPR: H. Saito RELEASED 60NO. J2004-1818 DRWN: H. SHIMABUKURO CH'K: K. TOJO APPR: H. Saito	MATERIAL 材料 注記参照 SEE NOTES FINISH 仕上げ WIRE RANGE 適用層線範囲 INS. RANGE 被覆外径
--	---	--

GENERAL TOLERANCES: (UNLESS SPECIFIED) 一般公差	SCALE	DESIGN UNITS	<input type="checkbox"/> 30° <input checked="" type="checkbox"/> 45° <input type="checkbox"/> 60° <input type="checkbox"/> 90° <input type="checkbox"/> 120° <input type="checkbox"/> 150° <input type="checkbox"/> 180° <input type="checkbox"/> 270° <input type="checkbox"/> 360°	DIMENSIONS: <input type="checkbox"/> mm <input type="checkbox"/> INCH <input checked="" type="checkbox"/> mm ONLY	SHT REV
10 UNDER 未満 ±0.2 10 OVER 以上 ±0.25 30 UNDER 未満 ±0.25 30 OVER 以上 ±0.3 ANGLE 角度 ±3°	DRAWN BY & DATE H. SHIMABUKURO '04/01/07 CHECKED BY & DATE K. TOJO '04/01/07 APPROVED BY & DATE H. Saito '04/01/07 CAD FILENAME SD-52559-028.S04	TITLE: 0.5 FPC Conn. Assy ZIF. For SMT, Embstp pkg -LEAD FREE- MOLEX INCORPORATED	MATERIAL NO. 52559-***72 DRAWING NO. SD-52559-028 SHEET NO. 4 OF 4	REVISIONS ON CAD ONLY	SIZE B

44 49.4 45.4 22.4 25.3 52559-4072 40 20.4 23.3 52559-3672 36 MATERIAL NO. 52559-***72 DRAWING NO. SD-52559-028 SHEET NO. 4 OF 4	DIMENSIONS: <input type="checkbox"/> mm <input type="checkbox"/> INCH <input checked="" type="checkbox"/> mm ONLY	SHT REV
---	--	------------



DWG. NO. SD-52559-045

F

D

V

C

B

DO NOT SCALE DRAWING

8 7 6 5 4 3 2 1

F

E

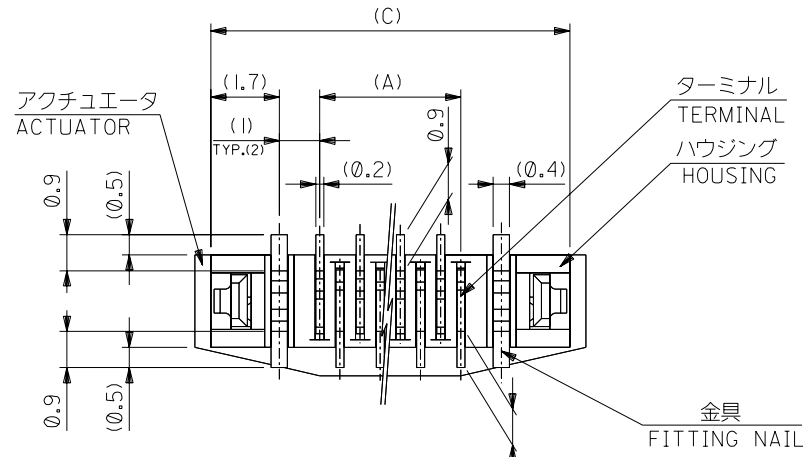
D

C

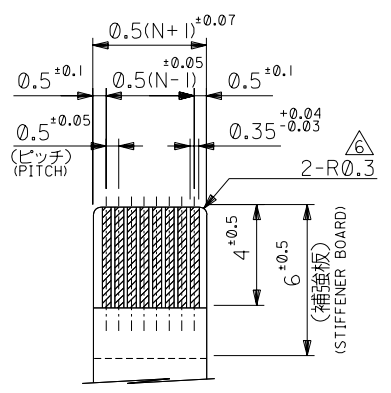
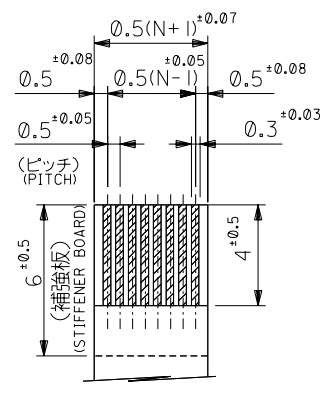
B

FPCについて：  
 打抜き方向は導体側から補強板側を推奨致します。  
 補強フィルム材質はポリイミドを推奨致します。  
 接着剤は熱硬化接着剤を推奨致します。

ABOUT FPC :  
 RECOMMENDED PUNCHER DIRECTION : FROM CONDUCTOR SIDE TO STIFFENER BOARD SIDE.  
 RECOMMENDED MATERIAL :  
 STIFFENER FILM : POLYIMIDE  
 BONDING AGENT : THERMOSETTING BONDING AGENT

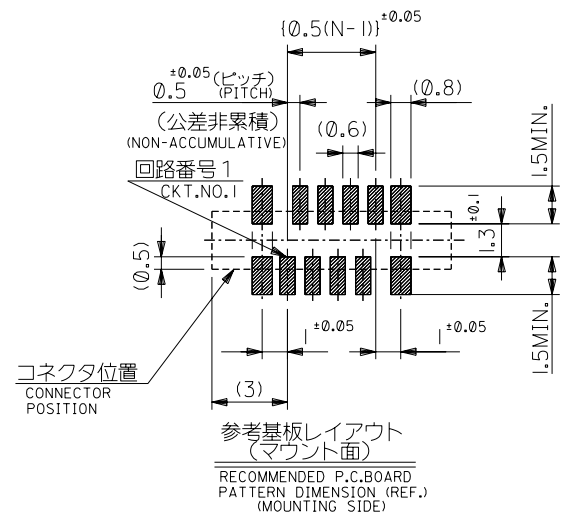


下面図  
 BOTTOM VIEW



適合FPC推奨寸法  
 APPLICABLE FPC  
 RECOMMENDED DIMENSION.  
 (仕上がり厚さ: 0.3±0.05)  
 (THICKNESS: 0.3±0.05)

適合FPC推奨寸法  
 APPLICABLE FPC  
 RECOMMENDED DIMENSION.  
 (仕上がり厚さ: 0.3±0.05)  
 (THICKNESS: 0.3±0.05)



コネクタ位置  
 CONNECTOR POSITION

参考基板レイアウト  
 (マウント面)  
 RECOMMENDED P.C.BOARD  
 PATTERN DIMENSION (REF.)  
 (MOUNTING SIDE)

25.7	24.9	20.65	19.5	52559-4019	40
23.7	22.9	18.65	17.5	-3619	36
22.2	21.4	17.15	16.0	-3319	33
21.7	20.9	16.65	15.5	-3219	32
21.2	20.4	16.15	15.0	-3119	31
20.7	19.9	15.65	14.5	-3019	30
20.2	19.4	15.15	14.0	-2919	29
19.7	18.9	14.65	13.5	-2819	28
19.2	18.4	14.15	13.0	-2719	27
18.7	17.9	13.65	12.5	-2619	26
18.2	17.4	13.15	12.0	-2519	25
17.7	16.9	12.65	11.5	-2419	24
17.2	16.4	12.15	11.0	-2319	23
16.7	15.9	11.65	10.5	-2219	22
16.2	15.4	11.15	10.0	-2119	21
15.7	14.9	10.65	9.5	-2019	20
15.2	14.4	10.15	9.0	-1919	19
14.7	13.9	9.65	8.5	-1819	18
14.2	13.4	9.15	8.0	-1719	17
13.7	12.9	8.65	7.5	-1619	16
13.2	12.4	8.15	7.0	-1519	15
12.7	11.9	7.65	6.5	-1419	14
12.2	11.4	7.15	6.0	-1319	13
11.7	10.9	6.65	5.5	-1219	12
11.2	10.4	6.15	5.0	-1119	11
10.7	9.9	5.65	4.5	-1019	10
10.2	9.4	5.15	4.0	-0919	9
9.7	8.9	4.65	3.5	-0819	8
8.7	7.9	3.65	2.5	52559-0619	6
D	C	B	(A)	MATERIAL NO.	極致

0000 NO. DRWN: CH'K: APPR:	0000 NO. DRWN: CH'K: APPR:	0000 NO. DRWN: CH'K: APPR:	REVISED 02004-3551 DRWN: H.KAWABATA '04/04/05 CH'K: K.TOJO '04/04/05 APPR: H. Saitoh '04/04/05	RELEASED 02004-1818 DRWN: H.SHIMABUKURO '04/01/07 CH'K: K.TOJO '04/01/07 APPR: H. Saitoh '04/01/07	MATERIAL 材料 注記参照 SEE NOTES	GENERAL TOLERANCES: (UNLESS SPECIFIED) 一般公差 10 UNDER 未満 ±0.2 10 OVER 以上 30 UNDER 未満 ±0.25 30 OVER 以上 ±0.3	SCALE 1:1 DESIGN UNITS <input checked="" type="checkbox"/> mm <input type="checkbox"/> INCH	MODEL NO. 52559-045.S02 DESIGN NO. 52559-045.S02 DRAWN BY & DATE H.SHIMABUKURO '04/01/07 CHECKED BY & DATE K.TOJO '04/01/07 APPROVED BY & DATE H. Saitoh '04/01/07 CAD FILENAME SD-52559-045.S02	DIMENSIONS: <input type="checkbox"/> mm <input type="checkbox"/> INCH <input checked="" type="checkbox"/> mm ONLY <input type="checkbox"/> mm <input type="checkbox"/> INCH <input checked="" type="checkbox"/> mm ONLY TITLE: 0.5 FPC Conn. Assy ZIF. -LEAD FREE- MOLEX MOLEX INCORPORATED	SHEET NO. 2 OF 2 REVISE ON CAD ONLY
			WIRE RANGE 適用 適用範囲 INS. RANGE 被覆 外径	CAD FILENAME SD-52559-045.S02	MATERIAL NO. SEE CHART DRAWING NO. SD-52559-045	SHEET NO. 2 OF 2 SIZE B				

8 7 6 5 4 3 2 1 EN-02J(097) MXJ-54

SD-52559-045.S02