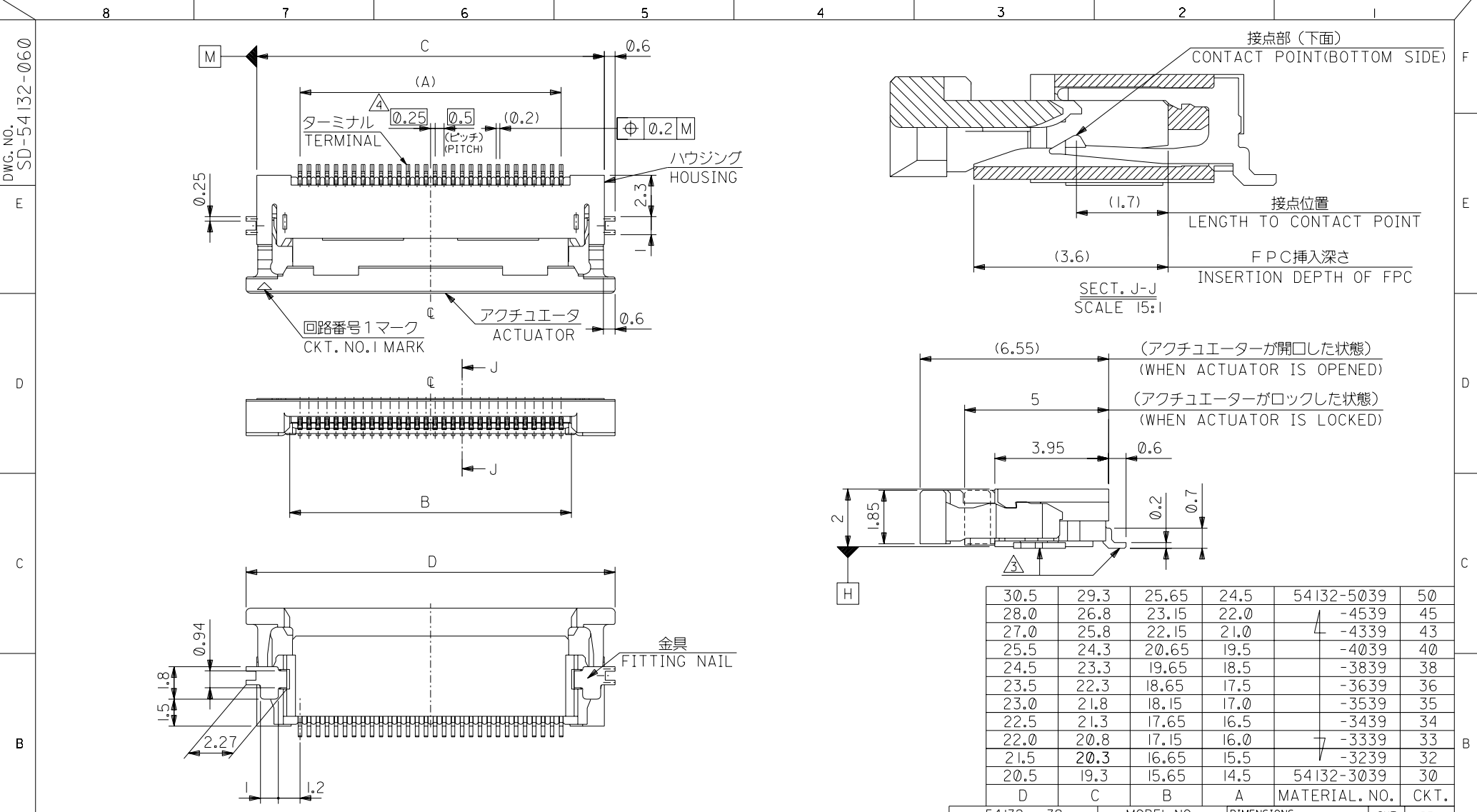


DWG. NO.
SD-54132-060

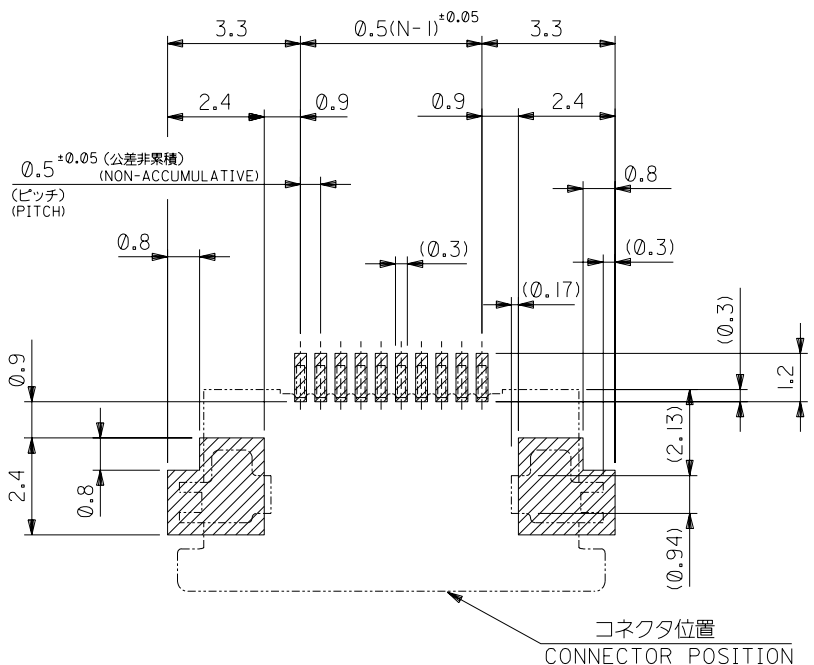
DO NOT SCALE DRAWING



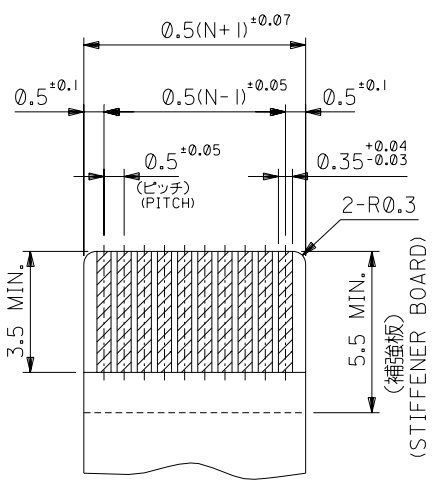
EC NO. DRWN: CHK: APPR:	EC NO. DRWN: CHK: APPR:	EC NO. DRWN: CHK: APPR:	REVISED EC NO. J2004-2362 DRWN: H. SHIMABUKURO #07/08 CHK: K. TOJO #07/08 APPR: M. SASAO #07/08 RELEASED	REVISED EC NO. J2004-1538 DRWN: M. NABEI #07/05 CHK: M. SASAO #07/05 APPR: M. SASAO #07/05	MATERIAL 材料 SHEET 2 OF 2 参照 SEE SHEET 2 OF 2	GENERAL TOLERANCES: (UNLESS SPECIFIED) 一般公差	SCALE //	DESIGN UNITS <input checked="" type="checkbox"/> mm <input type="checkbox"/> INCH	MODEL NO. 54132-***39	DIMENSIONS: <input type="checkbox"/> mm <input type="checkbox"/> INCH <input type="checkbox"/> mm ONLY	SHT 50	REV 45
EC NO. DRWN: CHK: APPR:	EC NO. DRWN: CHK: APPR:	EC NO. DRWN: CHK: APPR:	A	0	FINISH 仕上げ //	10 UNDER 未満 ±0.2	DRAWN BY & DATE M. NABEI #03/12/15	TITLE: 0.5 FPC CONN. ZIF HOUSING ASS'Y FOR SMT. (R/A) BOTTOM CONTACT -LEAD FREE-	THIRD ANGLE PROJECTION	MOLEX INCORPORATED	REVISION //	REVISION //
EC NO. DRWN: CHK: APPR:	EC NO. DRWN: CHK: APPR:	EC NO. DRWN: CHK: APPR:	WIRE RANGE 適用線径範囲 //	INS. RANGE 被覆外径 //	30 OVER 以上 ±0.25	CHECKED BY & DATE M. SASAO #03/12/15	APPROVED BY & DATE M. SASAO #03/12/15	MATERIAL NO. SEE CHART	DRAWING NO. SD-54132-060	SHEET NO. 1 OF 2	ANGLE 角度 ±3°	SIZE B
THIS DRAWING CONTAINS INFORMATION THAT IS PROPRIETARY TO MOLEX INCORPORATED AND SHOULD NOT BE USED WITHOUT WRITTEN PERMISSION.												EN-02J(097) MXJ-54

SD-54132-060.59

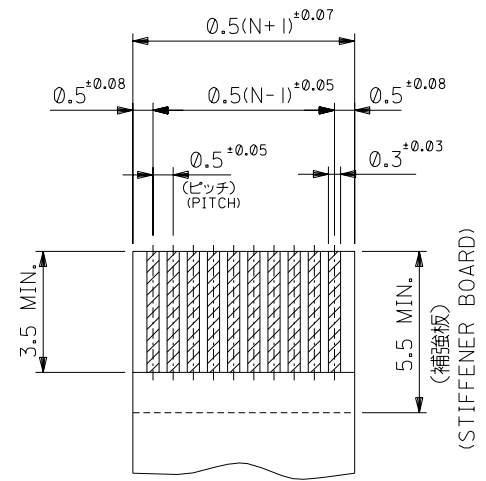
DWG. NO. SD-54132-060



参考基板レイアウト
RECOMMENDED PC BOARD PATTERN DIMENSION(REF.)
(マウント面)
(MOUNTING SIDE)



適合FPC推奨寸法
APPLICABLE FPC RECOMMENDED DIMENSION
(仕上がり厚さ: 0.3±0.03)
(THICKNESS:0.3±0.03)



適合FFC推奨寸法
APPLICABLE FFC RECOMMENDED DIMENSION
(仕上がり厚さ: 0.3±0.03)
(THICKNESS:0.3±0.03)

注記
NOTES

1. 使用材料 MATERIAL
ハウジング HOUSING : 46ナイロン, UL94V-0 :46NYLON
アクチュエーター ACTUATOR : PPS, UL94V-0 :PPS
ターミナル TERMINAL : リン清銅 (t=0.2)、銅・ビスマスメッキ 1.0~3.0 MICRO METER MIN. ニッケル下地 1.0~3.0 MICRO METER MIN.
金具 FITTING NAIL : リン清銅 (t=0.2)、銅メッキ 1.0~3.0 MICRO METER MIN. ニッケル下地 1.0~3.0 MICRO METER MIN.
FITTING NAIL : PHOS-BRO,TIN-PLATE 1.0~3.0MICRO METER MIN. OVER NICKEL 1.0~3.0 MICRO METER MIN.

2. エンボステープ梱包時は、アクチュエーターがロックした状態とする。
IN THE PACKAGE,ACTUATOR OF PART NO.54132-**31 SHOULD BE LOCKED.
3. ソルダーテール半田付け面のスレ量、及び金具半田付け面のスレ量は、基準面 H) に対し上方向0.1MAX. 下方向0.15MAX. とする。
MISALIGNMENT OF SOLDER TAILS AND FITTING NAIL FROM H) UPPER DIRECTION:0.1MAX.,LOWER DIRECTION:0.15MAX.
4. 偶数極に適用
APPLY FOR EVEN CIRCUIT.
5. パターンはくり止め用金具
FITTING NAIL FOR PREVENTION OF PEELING OF P.C.B. PATTERN.
6. 本製品は54132-**31の鉛フリー品である。
THIS PRODUCT IS LEAD FREE OF 54132-**31

FPC/FFCについて
打抜き方向は導体側から補強板側を推奨いたします。
導体部については軟銅箔35マイクロメートルまたは50マイクロメートル
RECOMMENDED PUNCHER DIRECTION:
FROM CONDUCTOR SIDE TO STIFFENER BOARD SIDE.
RECOMMENDED CONDUCTOR SPEC.:
THICKNESS OF SOFT COPPER FOIL:
35 micrometer or 50 micrometer

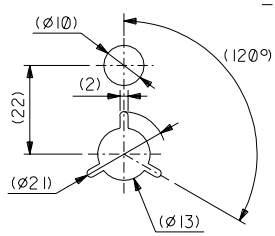
DO NOT SCALE DRAWING

EC NO. DRWN: CHK: APPR:	EC NO. DRWN: CHK: APPR:	EC NO. DRWN: CHK: APPR:	REVISED EC NO. J2004-2362 DRWN: H.SHIMABUKURO W7/0 CHK: K. TOJO W7/0 APPR: M.SASAO W7/0 RELEASED EC NO. J2004-1538 DRWN: M.NABEI W7/0 CHK: M.SASAO W7/0 APPR: M.SASAO W7/0	MATERIAL 材料 注記参照 SEE NOTES	GENERAL TOLERANCES: (UNLESS SPECIFIED) 一般公差	SCALE ---	DESIGN UNITS <input checked="" type="checkbox"/> mm <input type="checkbox"/> INCH	THIRD ANGLE PROJECTION <input checked="" type="checkbox"/> mm <input type="checkbox"/> INCH	54132-**39 MODEL NO.	DIMENSIONS: <input type="checkbox"/> mm <input type="checkbox"/> INCH <input checked="" type="checkbox"/> mm ONLY	SHT REV	
10 UNDER 未満	±0.2	DRAWN BY & DATE M.NABEI '03/12/15	TITLE: 0.5 FPC CONN. ZIF HOUSING ASS'Y FOR SMT. (R/A) BOTTOM CONTACT -LEAD FREE-	FINISH 仕上げ //	10 OVER 30 UNDER 未満	±0.25	CHECKED BY & DATE M.SASAO '03/12/15	MOLEX MOLEX INCORPORATED	CAD FILENAME SD-54132-060.S02	MATERIAL NO. SEE CHART	DRAWING NO. SD-54132-060	SHEET NO. 2 OF 2
30 OVER 以上	±0.3	APPROVED BY & DATE M.SASAO '03/12/15	REVISION	WIRE RANGE 適用層板範囲 //	ANGLE 角度	±3°						
				INS. RANGE 被覆外径 //								

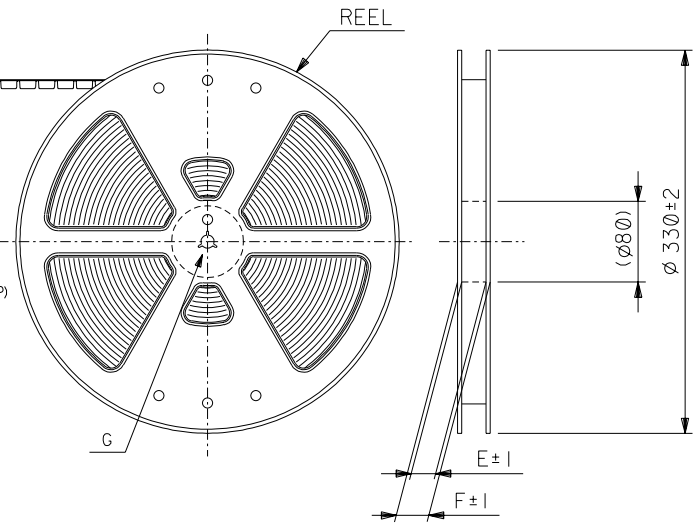
THIS DRAWING CONTAINS INFORMATION THAT IS PROPRIETARY TO MOLEX INCORPORATED AND SHOULD NOT BE USED WITHOUT WRITTEN PERMISSION.

SD-54132-060.02

引き出し方向
PULL OUT DIRECTION

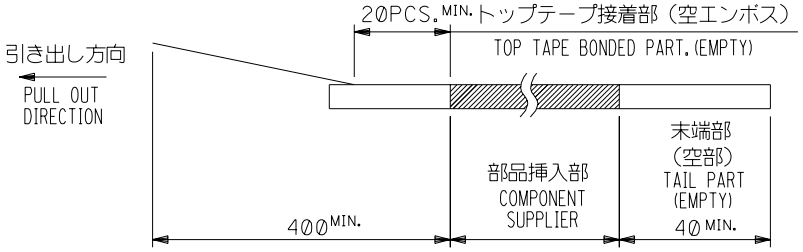


DETAIL G

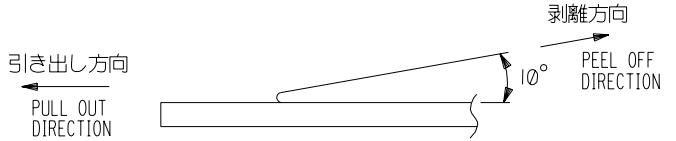


NOTES

1. 梱包数量：1500個/リール
NUMBER OF CONNECTORS : 1500PCS/REEL
2. リードテープ長さ LEAD TAPE LENGTH
20PCS. MIN. トップテープ接着部 (空エンボス)



3. トップテープの剥離強度：0.1N ~ 1.3N(10gf ~ 130gf)
(剥離方向は下図参照)
尚、本規格値は出荷時に適用。(但し、輸送時に剥離が発生しないこと。)
PEELING OFF FORCE OF TOP TAPE : 0.1N ~ 1.3N(10gf ~ 130gf)
(PEELING DIRECTION AS SHOWN IN FOLLOWING FIG.)
THIS REQUIREMENT SHOULD BE APPLIED AT SHIPMENT.
PEEL OFF SHOULD NOT BE ALLOWED , DURING TRANSPORTATION.

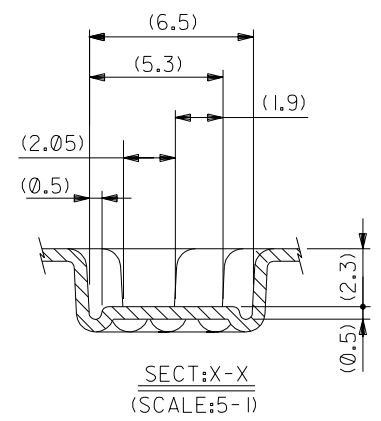
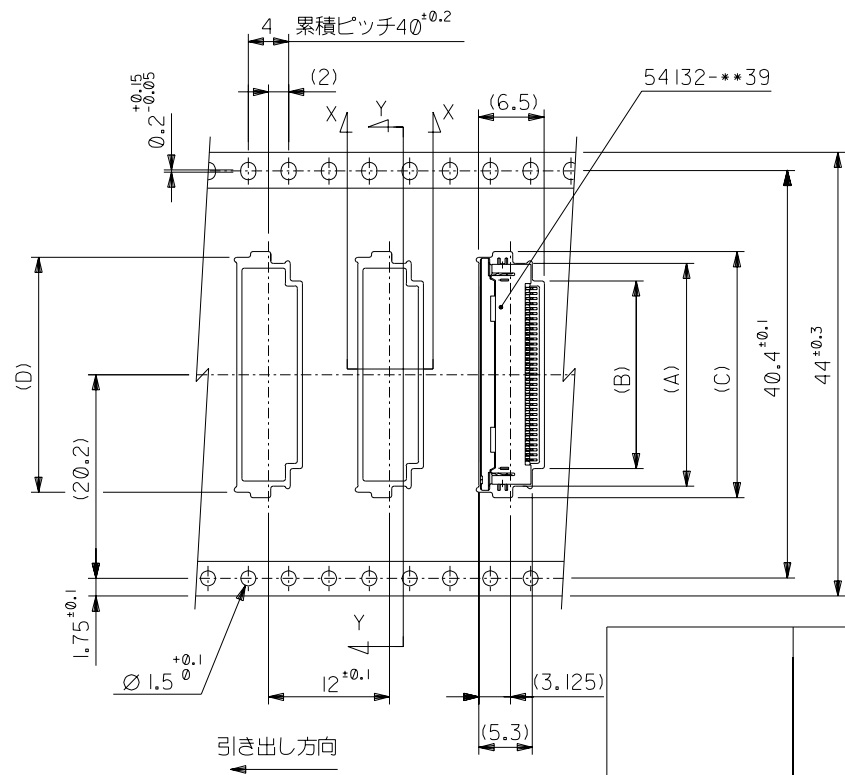
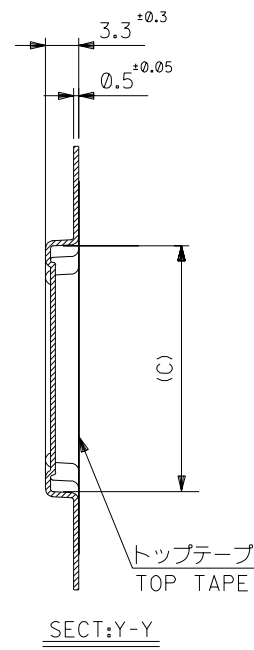


5. 材料 キャリアテープ：ポリプロピレン (PP)
トップテープ：PET, PE, PEF
リール：ポリスチレン (PS) <リサイクル材を含む>

MATERIAL CARRIER TAPE: POLYPROPYLENE
TOP TAPE: PET, PE, PEF
REEL: POLYSTYRENE (PS)
<RECYCLE MATERIAL CONTAINED>

6. 本製品は54132-**-**92の鉛フリー品である。
THIS PRODUCT IS LEAD FREE OF 54132-**-**92

EC NO. DRWN: CHK: APPR:		EC NO. DRWN: CHK: APPR:		EC NO. DRWN: CHK: APPR:		REVISED EC NO. J2004-2790 DRWN: H. SHIMABUKURO M/SJ2 CHK: K. TOJO M/SJ2 APPR: M. SASAO M/SJ2 RELEASED		EC NO. J2004-1538 DRWN: M. NABEI M/SJ2 CHK: M. SASAO M/SJ2 APPR: M. SASAO M/SJ2		MATERIAL 材料 注記参照 SEE NOTES		GENERAL TOLERANCES: (UNLESS SPECIFIED) 一般公差		SCALE —//		DESIGN UNITS <input checked="" type="checkbox"/> mm <input type="checkbox"/> INCH		THIRD ANGLE PROJECTION <input checked="" type="checkbox"/> mm <input type="checkbox"/> INCH		54132-**-97 MODEL NO.	
EC NO. DRWN: CHK: APPR:		EC NO. DRWN: CHK: APPR:		EC NO. DRWN: CHK: APPR:		A		0		FINISH 仕上げ //		10 UNDER 未満 ±0.2		DRAWN BY & DATE M. NABEI '03/12/15		TITLE: EMBOSSED TAPE PACKAGE FOR 0.5 FPC CONN. ZIF -LEAD FREE-		SHT REV		REVISE ON CAD ONLY	
EC NO. DRWN: CHK: APPR:		EC NO. DRWN: CHK: APPR:		EC NO. DRWN: CHK: APPR:		A		0		WIRE RANGE 適用層線範囲 //		10 OVER 30 UNDER 以上 未満 ±0.25		CHECKED BY & DATE M. SASAO '03/12/15		MOLEX MOLEX INCORPORATED		MATERIAL NO.		DRAWING NO.	
EC NO. DRWN: CHK: APPR:		EC NO. DRWN: CHK: APPR:		EC NO. DRWN: CHK: APPR:		A		0		INS. RANGE 被覆外径 //		30 OVER 以上 ±0.3		APPROVED BY & DATE M. SASAO '03/12/15		SEE CHART		SD-54132-061		SHEET NO. 1 OF 2	
EC NO. DRWN: CHK: APPR:		EC NO. DRWN: CHK: APPR:		EC NO. DRWN: CHK: APPR:		A		0		ANGLE 角度 ±3°		CAD FILENAME SD-54132-061.S01		THIS DRAWING CONTAINS INFORMATION THAT IS PROPRIETARY TO MOLEX INCORPORATED AND SHOULD NOT BE USED WITHOUT WRITTEN PERMISSION.				SIZE B		EN-02J(097) MXJ-54	



44	49.4	45.4	30.8	31.6	26.1	29.6	54132-5097	50	
			28.3	29.4	23.6	27.1	-4597	45	
			27.3	28.4	22.6	26.1	-4397	43	
			25.8	26.9	21.1	24.6	-4097	40	
			24.8	25.9	20.1	23.6	-3897	38	
			23.8	24.9	19.1	22.6	-3697	36	
			23.3	24.4	18.6	22.1	-3597	35	
			22.8	23.9	18.1	21.6	-3497	34	
			22.3	23.4	17.6	21.1	-3397	33	
			21.8	22.9	17.1	20.6	-3297	32	
20.8	21.9	16.1	19.6	54132-3097	30				
キャリアテープ幅 CARRIER TAPE WIDTH		F	E	D	C	B	A	ENG. NO.	CKT.

DO NOT SCALE DRAWING

EC NO. DRWN: CHK: APPR:	EC NO. DRWN: CHK: APPR:	EC NO. DRWN: CHK: APPR:	REVISED EC NO. J2004-2790 DRWN: H. SHIMABUKURO CHK: M. SASAO APPR: M. SASAO	REVISED EC NO. J2004-1538 DRWN: M. NABEI CHK: M. SASAO APPR: M. SASAO	MATERIAL 材料 SHEET 1 OF 2 参照 REFER TO SHEET 1 OF 2	GENERAL TOLERANCES: (UNLESS SPECIFIED) 一般公差	SCALE —//	DESIGN UNITS ☒ mm ☐ INCH	MODEL NO. 54132-**97	DIMENSIONS: ☐ mm ☐ INCH ☒ mm ONLY	SHT	REV
			A	0	DESCRIPTION FINISH 仕上げ //	10 UNDER 未満 ±0.2	DRAWN BY & DATE M. NABEI 03/12/15	THIRD ANGLE PROJECTION	TITLE: EMBOSSD TAPE PACKAGE FOR 0.5 FPC CONN. ZIF -LEAD FREE-	☐ mm ☐ INCH ☒ mm ONLY		
					WIRE RANGE 適用線径範囲 //	10 OVER 30 UNDER 未満 ±0.25	CHECKED BY & DATE M. SASAO 03/12/15	☉		☐ mm ☐ INCH ☒ mm ONLY		
					INS. RANGE 被覆外径 //	30 OVER 以上 ±0.3	APPROVED BY & DATE M. SASAO 03/12/15	MOLEX	MATERIAL NO.	DRAWING NO.	SHEET NO.	
						ANGLE 角度 ±3°	CAD FILENAME SD-54132-061.S02	MOLEX INCORPORATED	SEE CHART	SD-54132-061	2 OF 2	SIZE B
THIS DRAWING CONTAINS INFORMATION THAT IS PROPRIETARY TO MOLEX INCORPORATED AND SHOULD NOT BE USED WITHOUT WRITTEN PERMISSION.												