

Product Data Sheet



2XX Series Modified

Replace "XX" with 01 through 30 for number of poles
Terminal Block– Closed Back
Modified Construction
30 Amps, 250 Volts (AC/DC)



(Variety of hardware shown)

Copper Wire Only

Wire Range with Wire Binding Screw: #12 - #22 AWG
Wire Range with Listed Lugs: #10 - #16 AWG

7/16" Centers

[See table below for Wire Classes and torque](#)

Electrical Ratings:

- 20A with unprepared wire, (Based on NEC Table 310-16, 75°C columns)
- 30A with Listed ring lug, (Based on NEC Table 310-16, 75°C columns)
- 250 Volts AC/DC (UL 1059 Class C, User Group – General Industrial)
- Short Circuit Current Rating: 10,000A (Default)
- Flammability rating of insulator base: UL 94V-1
- Approved for Factory Wiring.

Mechanical Ratings:

- Storage and transportation temperature range: -35°C to 110°C (-31°F to 230°F)*
 - Maximum insulator base temperature: 150°C (302°F)* UL RTI
- * Use outside these ratings needs to be judged in the end-use application.

Materials:

- Connector (Contact): Brass, tin plated.
- Insulator base: Phenolic
- Drive screw (Rivet): Stainless steel
- Screw, #6-32 Binder head, Phil-Slot: Steel, nickel plated

Agency Approvals:

- UL Recognized, UL 1059 Terminal Block Standard, File No. XCFR2.E62806
- CSA Certified, CSA C22.2 No. 158, File No. LR19766
- CE compliant, IEC 60947-7-1
- RoHS Compliant

Wire Range:

Wire Size	Torque	Copper Wire Stranding Classes - Number of Strands		
		Solid	Class B	Class C
10	12 in. Lbs	1	7	19
12	12 in. Lbs	1	7	19
14	12 in. Lbs	1	7	19
16	12 in. Lbs	1	7	19
18	12 in. Lbs	1	7	19
20	12 in. Lbs	1	7	19
22	12 in. Lbs	1	7	19

Suggested product mounting hardware: #8 fastener, torque to 15-20 in. lbs.

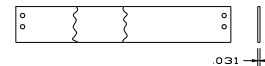
ACCESSORIES:

- Printing (for printing options, see Terminal Block Printing on website)

- Cover – top mounted (May not accommodate some hardware options). Order CW (white) or CB (Black). Can be printed.



- Marking strips (For Printing Options, see section on website)



- Line to Line Jumper (LL200)



- Quick Connects or Fastons

F1 or KT37



F2 or KT38



F3 or KT39



Tab width: 0.250
Tab thickness: 0.032

- Half Quick Connects or Half Fastons

HF1 or KT43



HF2 or KT44



HF3 or KT45



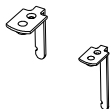
- Solder Terminal (S)



- Half Solder Terminal (HS)



- Feed Thru Solder (L)



- Feed Thru Solder (LSL)



- Sems Pressure Saddle Screw (SP)

- Sems Pressure Saddle Screw with External Lock Washer (SPSE)



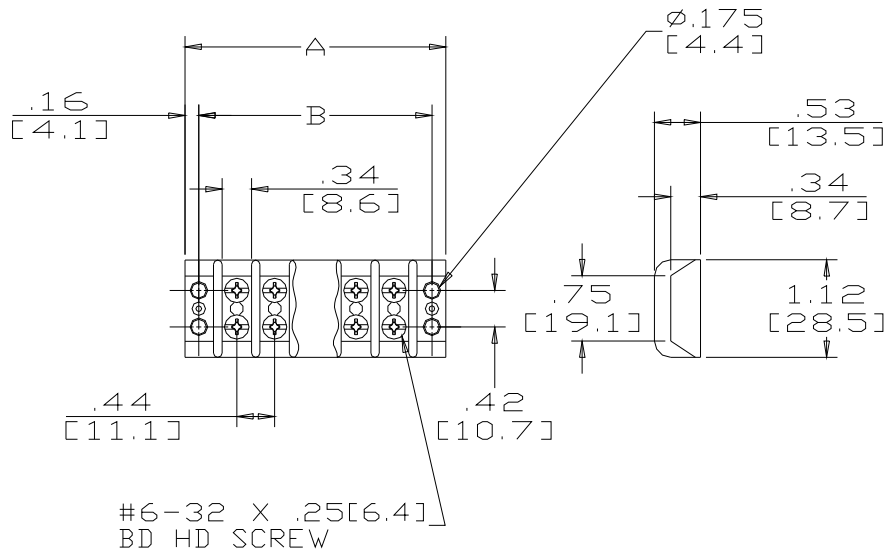
- Phil-Slot Brass Screw (PSB)



- Multiple Position Jumper (601RJ) or (601RJS)



Accessory options may affect ratings – consult factory



Catalog No	# of Poles	Dimensions		X	Catalog No	# of Poles	Dimensions	
		A	B				A	B
201	1	1.19	0.88	X	216	16	7.75	7.44
202	2	1.62	1.31	X	217	17	8.19	7.88
203	3	2.06	1.75	X	218	18	8.62	8.31
204	4	2.50	2.19	X	219	19	9.06	8.75
205	5	2.94	2.63	X	220	20	9.50	9.19
206	6	3.37	3.06	X	221	21	9.93	9.62
207	7	3.81	3.50	X	222	22	10.37	10.06
208	8	4.25	3.94	X	223	23	10.81	10.50
209	9	4.68	4.37	X	224	24	11.24	10.93
210	10	5.12	4.81	X	225	25	11.68	11.37
211	11	5.56	5.25	X	226	26	12.12	11.81
212	12	5.99	5.68	X	227	27	12.55	12.24
213	13	6.43	6.12	X	228	28	12.99	12.68
214	14	6.87	6.56	X	229	29	13.43	13.12
215	15	7.31	7.00	X	230	30	13.86	13.55

WWW.MARATHONSP.COM
1-419-352-8441