

ENERGIZER CR2025

Lithium Coin

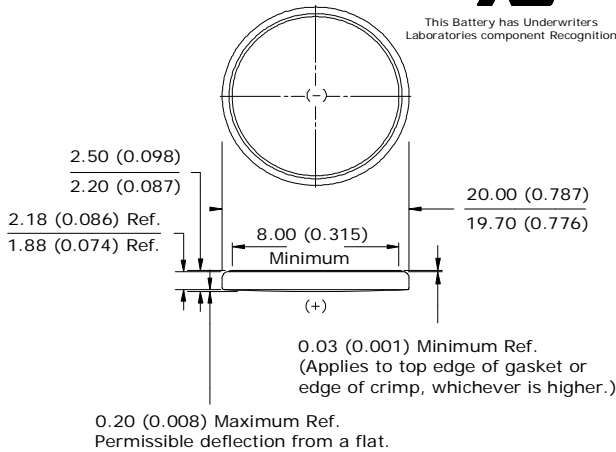


Industry Standard Dimensions

mm (inches)



This Battery has Underwriters Laboratories component Recognition

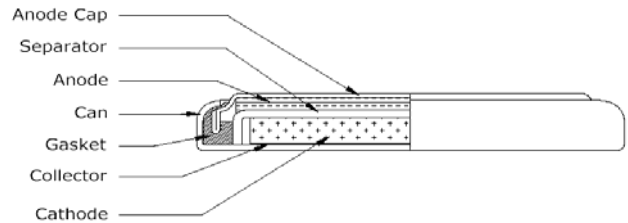


Specifications

- Classification:** "Lithium Coin"
- Chemical System:** Lithium / Manganese Dioxide (Li/MnO₂)
- Designation:** ANSI / NEDA-5003LC, IEC-CR2025
- Nominal Voltage:** 3.0 Volts
- Typical Capacity:** 163 mAh (to 2.0 volts)
(Rated at 15K ohms at 21°C)
- Typical Weight:** 2.6 grams (0.08 oz.)
- Typical Volume:** 0.8 cubic centimeters (0.05 cubic inch)
- Max Rev Charge:** 1 microampere
- Energy Density:** 176 milliwatt hr/g, 616 milliwatt hr/cc
- Typical Li Content:** 0.078 grams (0.0028 oz.)
- UL Listed:** MH12454
- Shipping:** For complete details, please reference:
Global (except US): Special Provision A45 of the International Air Transport Association Dangerous Goods Regulations
United States: 49 CFR 173.185

Safety - lithium coin batteries lodged in the esophagus should be removed immediately. Leakage, chemical burns and potential perforation can occur within hours of ingestion. Seek medical attention immediately. Have physician call the NATIONAL BATTERY INGESTION HOTLINE for advice and follow-up (202)-625-3333 collect day or night.

Cross Section



Simulated Application test

Typical Performance at 21°C (70°F)

Schedule:	Typical Drains: at 2.9V (mA)	Load (ohms)	Cutoff 2.0V (hours)
Continuous	0.193	15,000	845

Internal Resistance Characteristics

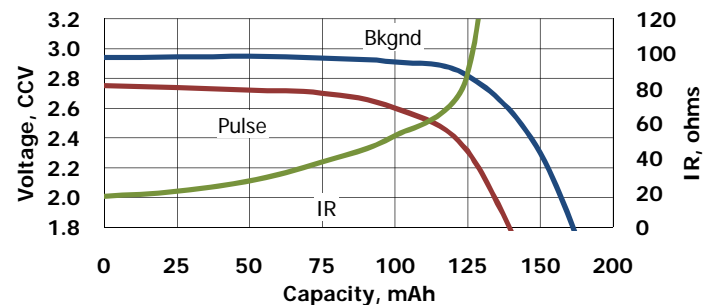
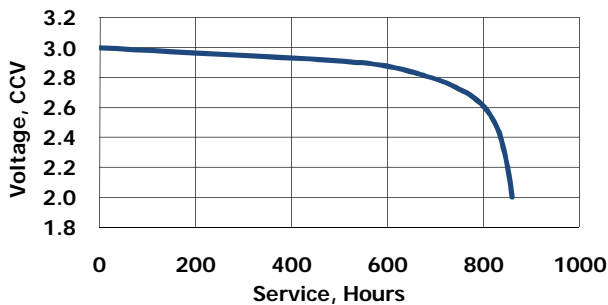
Pulse Test at 21°C (70°F)

Bkgnd Drain: Continuous
15K ohms
0.193 mA @2.9V

Pulse Drain: 2 seconds X 12 times/day
400 ohms
6.8 mA @2.7V

Typical Discharge Characteristics

Load: 15K ohms - Continuous
Typical Drain @ 2.9V: 0.193 mA



Important Notice

This datasheet contains typical information specific to products manufactured at the time of its publication.
©Energizer Holdings, Inc. - Contents herein do not constitute a warranty.