

中継取り付けブラケットパネル推奨寸法  
RECOMMENDED PANEL OPENING

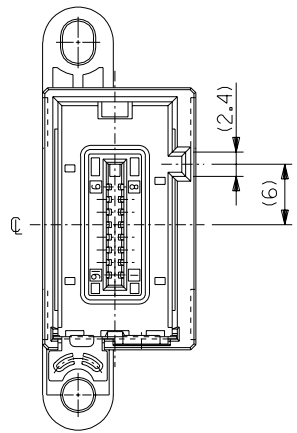
54679-1639	54679-16*9
54679-1629	
54679-1619	
54679-1609	
MATERIAL NO.	MODEL NO.

DO NOT SCALE DRAWING

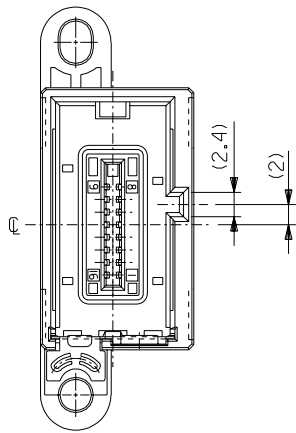
EC NO. DRWN: CHK: APPR:	EC NO. DRWN: CHK: APPR:	EC NO. DRWN: CHK: APPR:	EC NO. DRWN: CHK: APPR:	EC NO. DRWN: CHK: APPR:	RELEASD EC NO. J2004-3693 DRWN: H.KAWABATA 04/04/08 CHK: K.TOJO 04/04/08 APPR: M.SASAO 04/04/08	DESCRIPTION	MATERIAL 材料	GENERAL TOLERANCES: (UNLESS SPECIFIED) 一般公差	SCALE 2:1	DESIGN UNITS <input checked="" type="checkbox"/> mm <input type="checkbox"/> INCH	THIRD ANGLE PROJECTION	DIMENSIONS: <input type="checkbox"/> mm <input type="checkbox"/> INCH <input type="checkbox"/> mm <input type="checkbox"/> INCH <input checked="" type="checkbox"/> mm ONLY	SHT REV
						SEE NOTES	SEE NOTES	10 UNDER 未満	±0.2	DRAWN BY & DATE H.KAWABATA 04/04/08	TITLE: SMALL MGC PANEL MOUNT REC.HS'G ASS'Y		
						FINISH 仕上げ		10 OVER 30 UNDER 以上 未満	±0.25	CHECKED BY & DATE K.TOJO 04/04/08	-LEAD FREE-		
						WIRE RANGE 適用電線範囲	#	30 OVER 以上	±0.3	APPROVED BY & DATE M.SASAO 04/04/08	MOLEX INCORPORATED		
						INS. RANGE 被覆外径	#	ANGLE 角度	±3°	CAD FILENAME SD-54679-004.S01	MATERIAL NO. SEE CHART	DRAWING NO. SD-54679-004	SHEET NO. 1 OF 2
THIS DRAWING CONTAINS INFORMATION THAT IS PROPRIETARY TO MOLEX INCORPORATED AND SHOULD NOT BE USED WITHOUT WRITTEN PERMISSION.											SIZE B		

DWG. NO.  
SD-54679-004

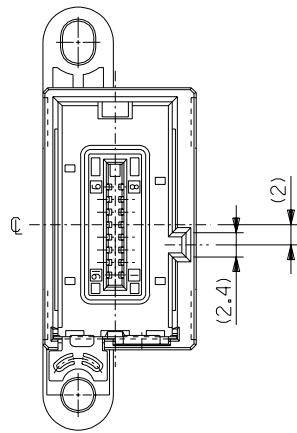
54679-1609



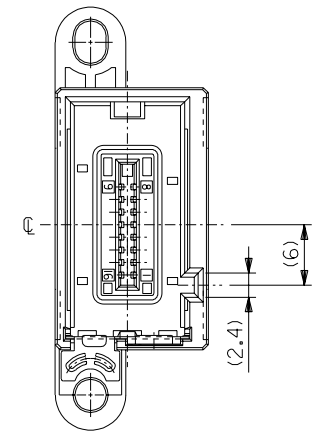
54679-1619



54679-1629



54679-1639



NOTE:

1. 適合リセプタクル (Mini Mil CONNECTOR)  
APPLICABLE RECEPTACLE

圧接ハウジングアッセンブリ : 54596シリーズ  
: 54596シリーズ  
IDT RECEPTACLE HOUSING ASS'Y : 54596 SERIES  
: 54596 SERIES

2. 材質  
MATERIAL

ハウジング: ガラス入りPBT, UL94V-0 灰色  
HOUSING: PBT, G.F. UL94V-0 GRAY  
ターミナル: 燐青銅  
TERMINAL: PHOSPHOR BRONZE  
グラントターミナル: 燐青銅  
GROUND TERMINAL: PHOSPHOR BRONZE

3. メッキ仕様  
PLATING

ターミナル  
TERMINAL  
金メッキ : 0.1 μm MIN. (接点部)  
GOLD : 0.1 MICROMETER MINIMUM.(CONTACT AREA)  
錫メッキ : 1.0 μm MIN. (リセプタクル嵌合部)  
TIN : 1.0 MICROMETER MINIMUM.(RECEPTACLE CONNECTED AREA)  
半光沢ニッケルメッキ : 2.0 μm MIN. (下地メッキ)  
NICKEL : 2.0 MICROMETER MINIMUM.(UNDER PLATING)  
グラントターミナル  
GROUND TERMINAL  
錫メッキ : 0.9 μm MIN. (リフローメッキ)  
TIN : 0.9 MICROMETER MINIMUM.(REFLOW TREATMENT)

DO NOT SCALE DRAWING

EC NO. DRWN: CHK: APPR:	EC NO. DRWN: CHK: APPR:	EC NO. DRWN: CHK: APPR:	EC NO. DRWN: CHK: APPR:	EC NO. DRWN: CHK: APPR:	EC NO. DRWN: CHK: APPR:	MATERIAL 材料	GENERAL TOLERANCES: (UNLESS SPECIFIED) 一般公差	SCALE 2:1	DESIGN UNITS <input checked="" type="checkbox"/> mm <input type="checkbox"/> INCH	MODEL NO. 54697-16*9	DIMENSIONS: <input type="checkbox"/> mm <input type="checkbox"/> INCH <input checked="" type="checkbox"/> mm ONLY	SHT REV
						DESCRIPTION	10 UNDER 未滿	±0.2	DRAWN BY & DATE H.KAWABATA '04/04/08	TITLE: SMALL MGC PANEL MOUNT REC.HS'G ASS'Y		
						FINISH 仕上げ	10 OVER 30 UNDER 以上 未滿	±0.25	CHECKED BY & DATE K.TOJO '04/04/08			
						WIRE RANGE 適用電線範囲	30 OVER 以上	±0.3	APPROVED BY & DATE M.SASAO '04/04/08	MOLEX INCORPORATED		
						INS. RANGE 被覆外径	ANGLE 角度	±3°	CAD FILENAME SD-54679-004.S02	MATERIAL NO. SEE CHART	DRAWING NO. SD-54679-004	SHEET NO. 2 OF 2
THIS DRAWING CONTAINS INFORMATION THAT IS PROPRIETARY TO MOLEX INCORPORATED AND SHOULD NOT BE USED WITHOUT WRITTEN PERMISSION.										SIZE B		