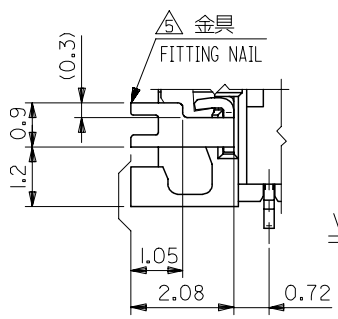
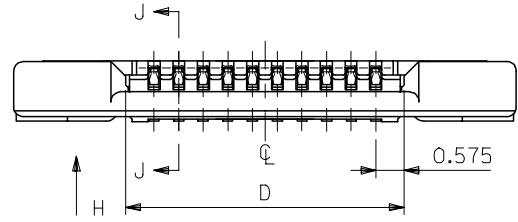
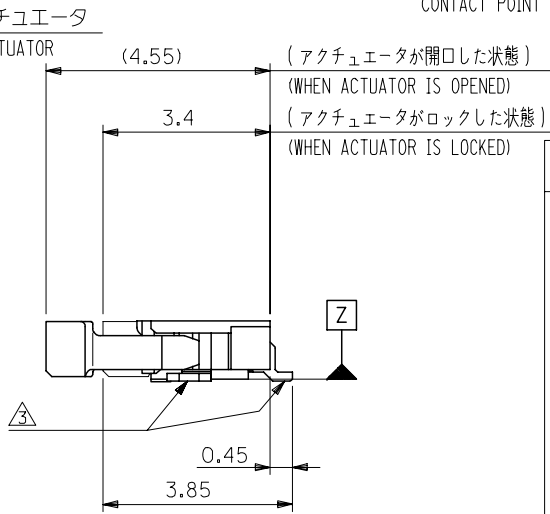


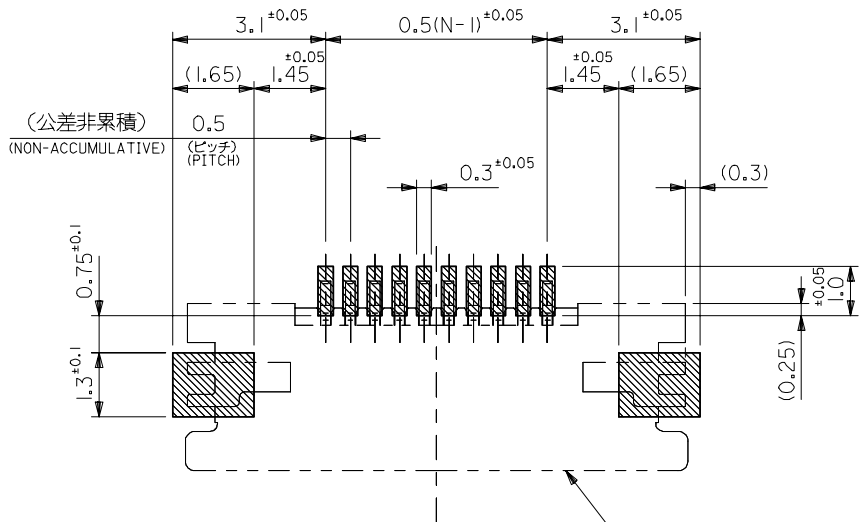
SECT. J-J
SCALE 20:1



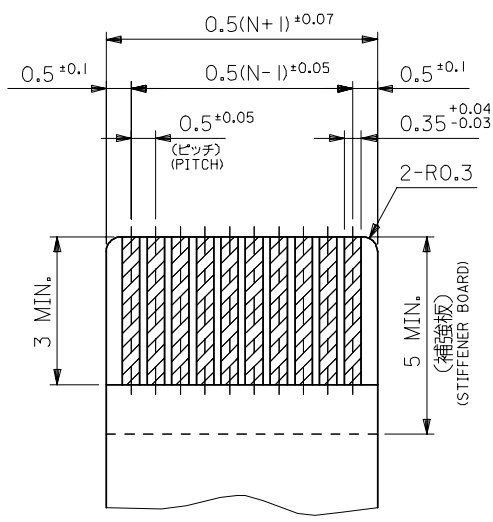
VIEW H

0.28 ^{+0.03}	13.65	17	12.5	18.2	54550-2619	26
	13.15	16.5	12.0	17.7	54550-2519	25
	12.65	16	11.5	17.2	54550-2419	24
	11.65	15	10.5	16.2	54550-2219	22
	11.15	14.5	10	15.7	54550-2119	21
	10.65	14	9.5	15.2	54550-2019	20
	10.15	13.5	9	14.7	54550-1919	19
	9.65	13	8.5	14.2	54550-1819	18
	9.15	12.5	8	13.7	54550-1719	17
	8.65	12	7.5	13.2	54550-1619	16
	8.15	11.5	7	12.7	54550-1519	15
	0.3 ^{+0.03}	7.65	11	6.5	12.2	54550-1419
7.15		10.5	6	11.7	54550-1319	13
6.65		10	5.5	11.2	54550-1219	12
6.15		9.5	5	10.7	54550-1119	11
5.65		9	4.5	10.2	54550-1019	10
5.15		8.5	4	9.7	54550-0919	9
4.65		8	3.5	9.2	54550-0819	8
4.15		7.5	3	8.7	54550-0719	7
3.65		7	2.5	8.2	54550-0619	6
3.15		6.5	2	7.7	54550-0519	5
2.65	6.0	1.5	7.2	54550-0419	4	

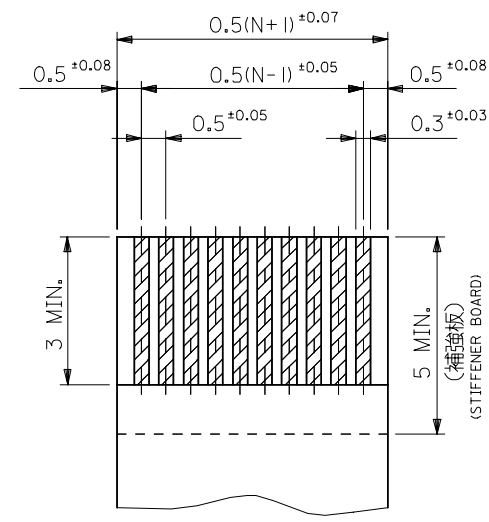
REVISED EC NO: J2005-1954 DRAWN: NABEI 2005/01/13 CHKDK: TOJO 2005/01/14 APPR: NUKITA 2005/01/18	GENERAL TOLERANCES (UNLESS SPECIFIED)		DIMENSION STYLE MM ONLY		THICKNESS OF FPC D C B A		SCALE ---		DESIGN UNITS METRIC		第三角投影 THIRD ANGLE PROJECTION	
	10 UNDER ±0.2		DRAWN BY DATE M. NINOMIYA '03/12/22		TITLE 0.5 FPC CONN ZIF HOUSING ASSY SMT RA UPPER CONT -LEAD FREE-		MOLEX INCORPORATED		DOCUMENT NO. SD-54550-019		SHEET NO. 1 OF 2	
	10 OVER 30 UNDER ±0.25		CHECKED BY DATE K. TOJO '03/12/22		MATERIAL NO. SEE CHART		THIS DRAWING CONTAINS INFORMATION THAT IS PROPRIETARY TO MOLEX INCORPORATED AND SHOULD NOT BE USED WITHOUT WRITTEN PERMISSION					
	30 OVER ±0.3		APPROVED BY DATE M. SASAO '03/12/22									
	ANGULAR ±3 °		DRAFT WHERE APPLICABLE MUST REMAIN WITHIN DIMENSIONS									



参考基板レイアウト
RECOMMENDED P.C. BOARD
PATTERN DIMENSION (REF.)
(マウント面)
(MOUNTING SIDE)



適合FPC推奨寸法
APPLICABLE FPC
RECOMMENDED DIMENSION
(仕上がり厚さ:表参照)
(THICKNESS:SEE CHART)



適合FFC推奨寸法
APPLICABLE FFC
RECOMMENDED DIMENSION
(仕上がり厚さ:表参照)
(THICKNESS:SEE CHART)

注記 NOTES

1. 使用材料 MATERIAL

- ハウジング HOUSING : LCP, UL94V-0
- アクチュエータ ACTUATOR : PPS, UL94V-0
- ターミナル TERMINAL : リン青銅 (t=0.2)、ニッケル下地銅スズメッキ PHOS-BRO.TIN-BISMUTH OVER NICKEL PLATED
- 金具 FITTING NAIL : リン青銅 (t=0.2)、ニッケル下地銅スズメッキ PHOS-BRO.TIN OVER NICKEL PLATED

2. エンボステープ梱包時は、アクチュエータがロックした状態とする。
IN THE PACKAGE,ACTUATOR OF PART NO.54550-***17 SHOULD BE LOCKED.

- △ソルダーテール半田付け面のズレ量、及び金具半田付け面のズレ量は、基準面 Z に対し上方向 0MAX.、下方向 0.15MAX.とし、相互のバラッキ量は0.1MAX.とする。
MISALIGNMENT OF SOLDER TAILS AND FITTING NAILS FROM Z UPPER DIRECTION:0 MAX. , LOWER DIRECTION:0.15 MAX. OFFSET BETWEEN UPPER AND LOWER 0.1MAX.

- △偶数極に適用。
APPLY FOR EVEN CIRCUIT.
- △パターンはくり止め用金具
FITTING NAIL FOR PREVENTION OF PEELING OF P.C.B. PATTERN.

2. 本製品は 54550-***17 の鉛フリー品である。
THIS PRODUCT IS LEAD FREE OF 54550-***17.

FPC/FFCについて:

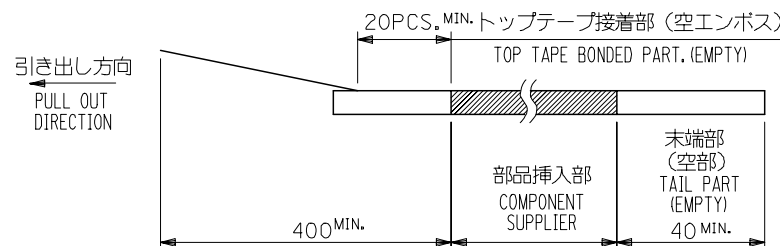
打抜き方向は導体側から補強板側を推奨いたします。
導体部については軟銅箔35マイクロメートルまたは50マイクロメートルを推奨いたします。

RECOMMENDED PUNCHER DIRECTION : FROM CONDUCTOR SIDE TO STIFFENER BOARD SIDE.
RECOMMENDED CONDUCTOR SPEC:
THICKNESS OF SOFT COPPER FOIL : 35 MICROMETER or 50 MICROMETER

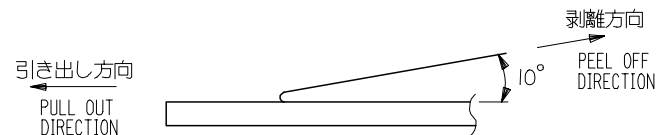
REVISED		EC NO: J2005-1954		DRAWN: MNABEI 2005/01/13		CHKD: K. TOJO 2005/01/14		APPR: NUKITA 2005/01/18		GENERAL TOLERANCES (UNLESS SPECIFIED)		DIMENSION STYLE		SCALE		DESIGN UNITS		MODEL No.	
										10 UNDER ±0.2		MM ONLY		---		METRIC		54550-***19	
										10 OVER 30 UNDER ±0.25		DRAWN BY DATE		TITLE					
										30 OVER ±0.3		M. NINOMIYA '03/12/22		0.5 FPC CONN ZIF HOUSING ASSY SMT RA UPPER CONT -LEAD FREE-					
										ANGULAR ±3 °		CHECKED BY DATE		MOLEX MOLEX INCORPORATED					
										DRAFT WHERE APPLICABLE MUST REMAIN WITHIN DIMENSIONS		APPROVED BY DATE		SD-54550-019		SHEET NO.			
										SEE CHART		M. SASAO '03/12/22		SD-54550-019		2 OF 2			
										SIZE		MATERIAL NO.		DOCUMENT NO.					
										A3		SEE CHART		SD-54550-019					
										THIS DRAWING CONTAINS INFORMATION THAT IS PROPRIETARY TO MOLEX INCORPORATED AND SHOULD NOT BE USED WITHOUT WRITTEN PERMISSION									

NOTES

- 製品詳細寸法については図面 54550-**19 を参照下さい。
RE DETAILED DIMENSION, SEE 54550-**19
- 梱包数量：3000個/リール
NUMBER OF CONNECTORS : 3000PCS/REEL
- リードテープ長さ LEAD TAPE LENGTH

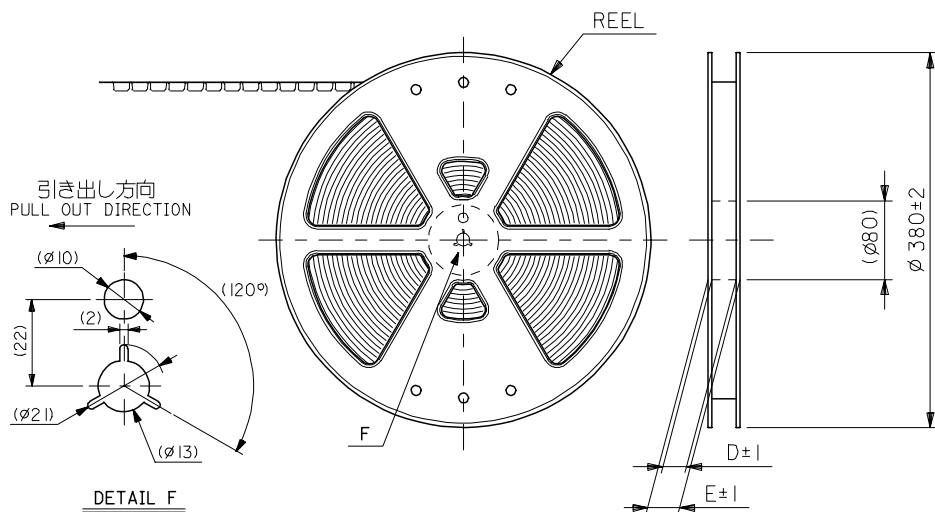


- トップテープの剥離強度：0.1N ~ 1.3N (10gf ~ 130gf)
(剥離方向は下図参照)
尚、本規格値は出荷時に適用。(但し、輸送時に剥離が発生しないこと。)
PEELING OFF FORCE OF TOP TAPE : 0.1N ~ 1.3N (10gf ~ 130gf)
(PEELING DIRECTION AS SHOWN IN FOLLOWING FIG.)
THIS REQUIREMENT SHOULD BE APPLIED AT SHIPMENT.
PEEL OFF SHOULD NOT BE ALLOWED , DURING TRANSPORTATION.



- 材料 (MATERIAL)
キャリアテープ (CARRIER TAPE) : ポリプロピレン (POLYPROPYLENE)
トップテープ (TOPTAPE) : PET , PE , PEF
リール (REEL) : ポリスチレン (P.S) <リサイクル材を含む>
POLYSTYRENE (PS) <RECYCLE MATERIAL CONTAINED>

- 本製品は 54550-**90 の鉛フリー品である。
THIS PRODUCT IS LEAD FREE OF 54550-**90.



DETAIL F

54550-**94 MODEL No.

REVISED EC NO: J2005-1954 DRAWN: NABEI 2005/01/13 CHKD: K. TOJO 2005/01/14 APPR: NUKITA 2005/01/18 REV:	GENERAL TOLERANCES (UNLESS SPECIFIED)		DIMENSION STYLE MM ONLY		SCALE ---	DESIGN UNITS METRIC	THIRD ANGLE PROJECTION
	10 UNDER	±0.2	DRAWN BY M. NINOMIYA	DATE '03/12/22	TITLE 0.5 FPC CONN ZIF HSG EMBSTP PKG -LEAD FREE-		
	10 OVER 30 UNDER	±0.25	CHECKED BY K. TOJO	DATE '03/12/22	MOLEX INCORPORATED		
	30 OVER	±0.3	APPROVED BY M. SASAO	DATE '03/12/22	DOCUMENT NO. SD-54550-020	SHEET NO. 1 OF 4	
	ANGULAR	±3 °	MATERIAL NO. SEE CHART				
DRAFT WHERE APPLICABLE MUST REMAIN WITHIN DIMENSIONS		SIZE A3		THIS DRAWING CONTAINS INFORMATION THAT IS PROPRIETARY TO MOLEX INCORPORATED AND SHOULD NOT BE USED WITHOUT WRITTEN PERMISSION			

10 9 8 7 6 5 4 3 2 1

F

E

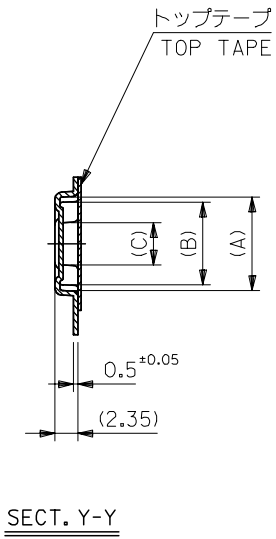
D

C

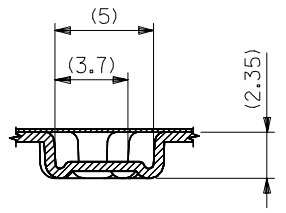
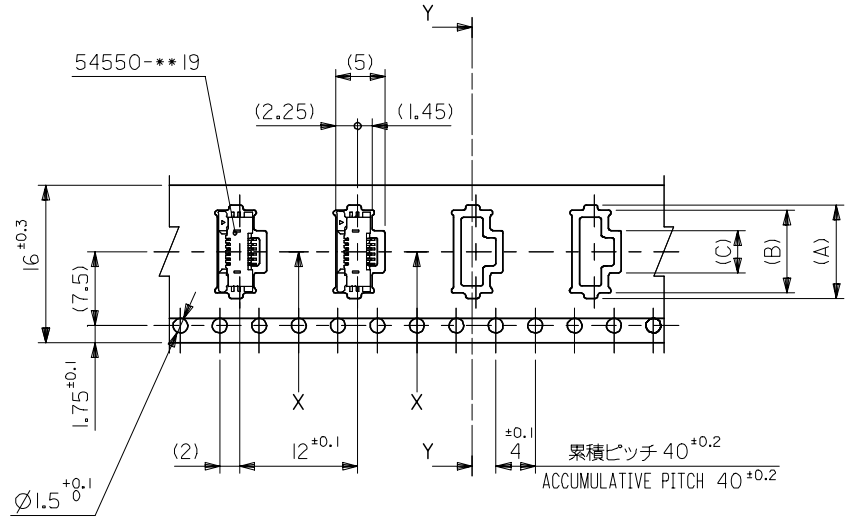
B

A

引き出し方向
PULL OUT DIRECTION



SECT. Y-Y



SECT. X-X

16mm幅キャリアテープ
16mm WIDTH CARRIER TAPE

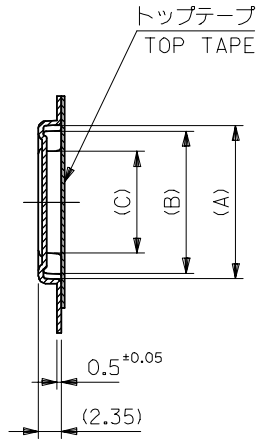
16	21.4	17.4	4.3	8.4	9.5	54550-0694	6
			3.8	7.9	9	54550-0594	5
			3.3	7.4	8.5	54550-0494	4
キャリアテープ幅 CARRIER TAPE WIDTH	E	D	(C)	(B)	(A)	製品番号 MATERIAL No.	極数 CK+

REVISED EC NO: J2005-1954 2005/01/13 DRAWN: NABEI 2005/01/14 CHKDK: TOJO 2005/01/18 APPR: NUKITA	GENERAL TOLERANCES (UNLESS SPECIFIED)		DIMENSION STYLE MM ONLY		SCALE ---	DESIGN UNITS METRIC	THIRD ANGLE PROJECTION
	10 UNDER	±0.2	DRAWN BY M. NINOMIYA	DATE '03/12/22	TITLE 0.5 FPC CONN ZIF HSG EMBSTP PKG -LEAD FREE-		
	10 OVER 30 UNDER	±0.25	CHECKED BY K. TOJO	DATE '03/12/22	MOLEX INCORPORATED		
	30 OVER	±0.3	APPROVED BY M. SASAO	DATE '03/12/22	DOCUMENT NO. SD-54550-020	SHEET NO. 2 OF 4	
	ANGULAR	±3 °	MATERIAL NO. SEE CHART	THIS DRAWING CONTAINS INFORMATION THAT IS PROPRIETARY TO MOLEX INCORPORATED AND SHOULD NOT BE USED WITHOUT WRITTEN PERMISSION			
DRAFT WHERE APPLICABLE MUST REMAIN WITHIN DIMENSIONS							

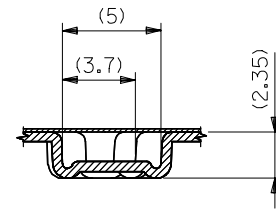
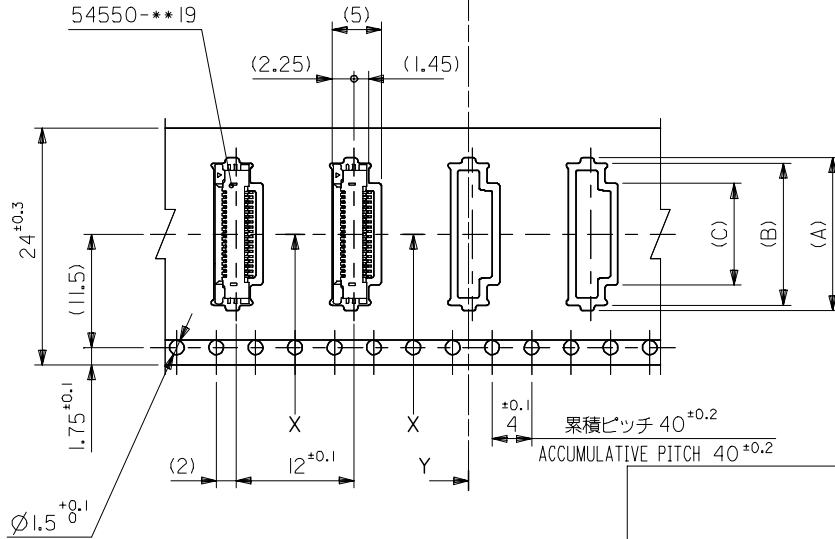
10 9 8 7 6 5 4 3 2 1

F
E
D
C
B
A

引き出し方向
PULL OUT DIRECTION



SECT. Y-Y



SECT. X-X

24mm幅キャリアテープ
24mm WIDTH CARRIER TAPE

24	29.4	25.4	22	17.5	16.4	12.3	54550-2294	22
			21	17	15.9	11.8	54550-2194	21
			20	16.5	15.4	11.3	54550-2094	20
			19	16	14.9	10.8	54550-1994	19
			18	15.5	14.4	10.3	54550-1894	18
			17	15	13.9	9.8	54550-1794	17
			16	14.5	13.4	9.3	54550-1694	16
			15	14	12.9	8.8	54550-1594	15
			14	13.5	12.4	8.3	54550-1494	14
			13	13	11.9	7.8	54550-1394	13
			12	12.5	11.4	7.3	54550-1294	12
			11	12	10.9	6.8	54550-1194	11
			10	11.5	10.4	6.3	54550-1094	10
			9	11	9.9	5.8	54550-0994	9
			8	10.5	9.4	5.3	54550-0894	8
7	10	8.9	4.8	54550-0794	7			
キャリアテープ幅 CARRIER TAPE WIDTH	E	D	(C)	(B)	(A)	製品番号 MATERIAL No.	極数 CK+	

REVISED EC NO: J2005-1954 DRAWN: NABEI 2005/01/13 CHKD: K. TOJO 2005/01/14 APPR: NUKITA 2005/01/18	GENERAL TOLERANCES (UNLESS SPECIFIED)		DIMENSION STYLE MM ONLY		SCALE ---	DESIGN UNITS METRIC	THIRD ANGLE PROJECTION
	10 UNDER	±0.2	DRAWN BY M. NINOMIYA	DATE '03/12/22	TITLE 0.5 FPC CONN ZIF HSG EMBSTP PKG -LEAD FREE-		
	10 OVER 30 UNDER	±0.25	CHECKED BY K. TOJO	DATE '03/12/22	MOLEX INCORPORATED		
	30 OVER	±0.3	APPROVED BY M. SASAO	DATE '03/12/22	DOCUMENT NO. SD-54550-020	SHEET NO. 3 OF 4	
	ANGULAR	±3 °	MATERIAL NO. SEE CHART				
DRAFT WHERE APPLICABLE MUST REMAIN WITHIN DIMENSIONS		THIS DRAWING CONTAINS INFORMATION THAT IS PROPRIETARY TO MOLEX INCORPORATED AND SHOULD NOT BE USED WITHOUT WRITTEN PERMISSION					

10 9 8 7 6 5 4 3 2 1

F

E

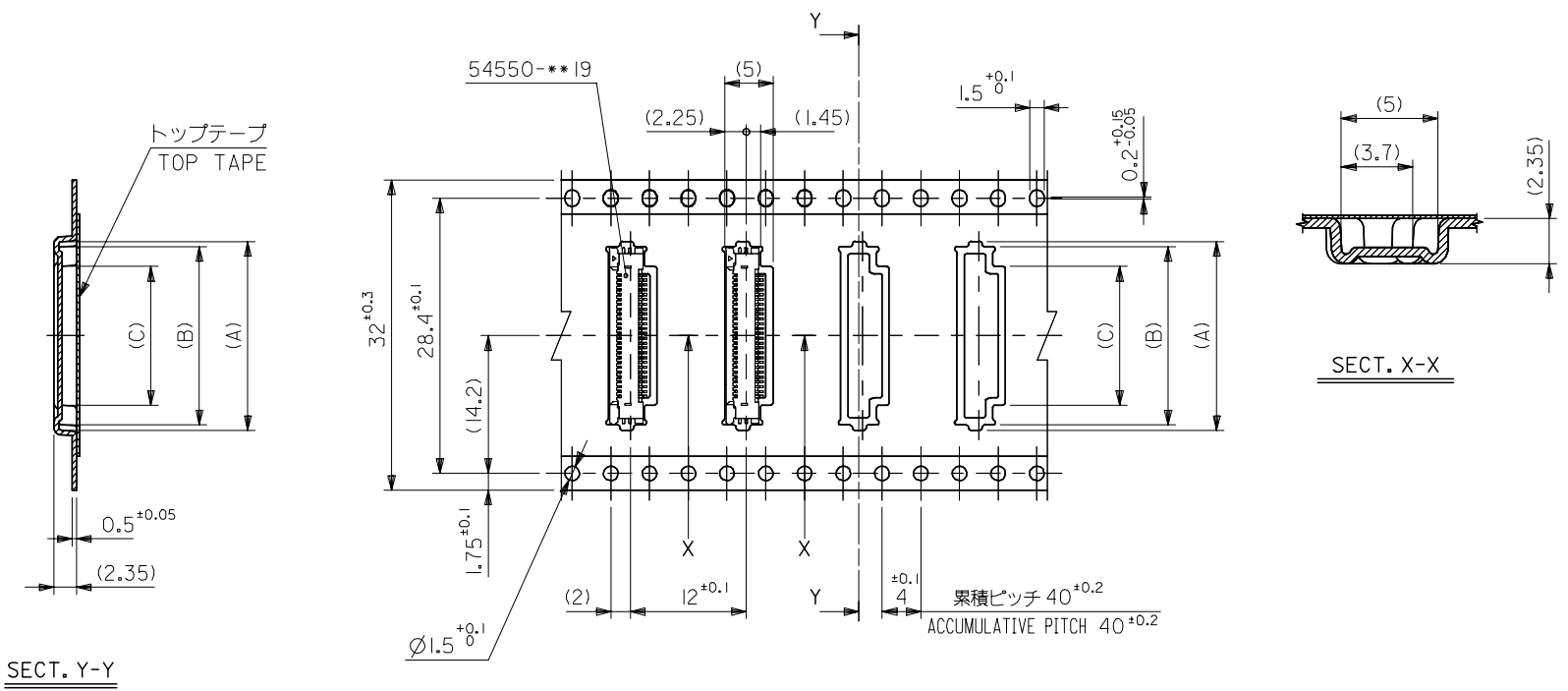
D

C

B

A

引き出し方向
PULL OUT DIRECTION



32mm幅キャリアテープ
32mm WIDTH CARRIER TAPE

32	37.4	33.4	14.3	18.4	19.5	54550-2694	26
			13.8	17.9	19.0	54550-2594	25
			13.3	17.4	18.5	54550-2494	24
キャリアテープ幅 CARRIER TAPE WIDTH	E	D	(C)	(B)	(A)	製品番号 MATERIAL No.	極数 CK+

REVISED EC NO: J2005-1954 DRAWN: MABEI CHKD: K. TOJO APPR: NUKITA 2005/01/13 2005/01/14 2005/01/18	GENERAL TOLERANCES (UNLESS SPECIFIED)		DIMENSION STYLE MM ONLY		SCALE ---	DESIGN UNITS METRIC	THIRD ANGLE PROJECTION
	10 UNDER	±0.2	DRAWN BY M. NINOMIYA	DATE '03/12/22	TITLE 0.5 FPC CONN ZIF HSG EMBSTP PKG -LEAD FREE-		
	10 OVER 30 UNDER	±0.25	CHECKED BY K. TOJO	DATE '03/12/22	MOLEX INCORPORATED		
	30 OVER	±0.3	APPROVED BY M. SASAO	DATE '03/12/22	DOCUMENT NO. SD-54550-020		
	ANGULAR	±3 °	MATERIAL NO.	SIZE A3	SHEET NO. 4 OF 4		
DRAFT WHERE APPLICABLE MUST REMAIN WITHIN DIMENSIONS		SEE CHART			THIS DRAWING CONTAINS INFORMATION THAT IS PROPRIETARY TO MOLEX INCORPORATED AND SHOULD NOT BE USED WITHOUT WRITTEN PERMISSION		