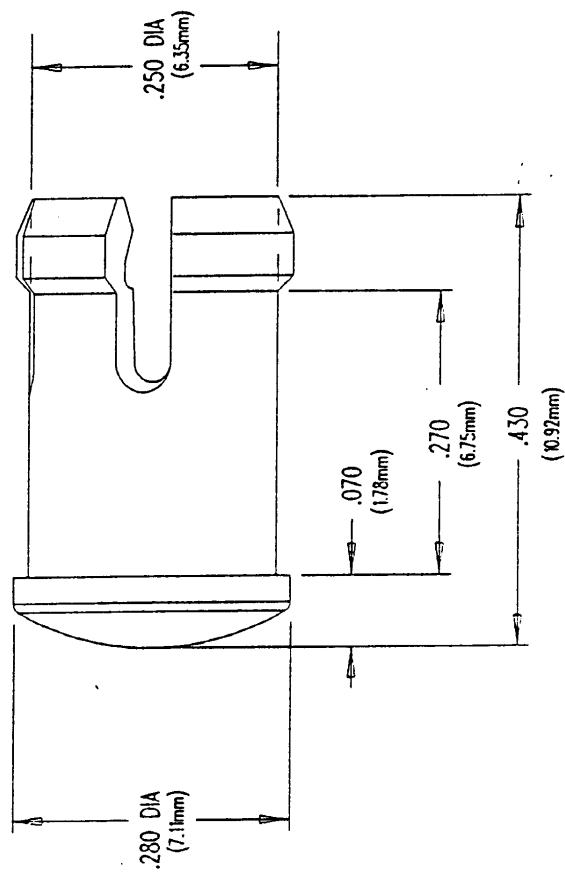
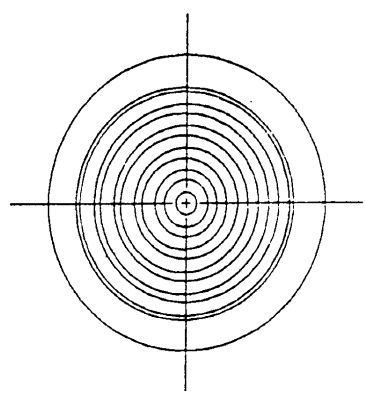


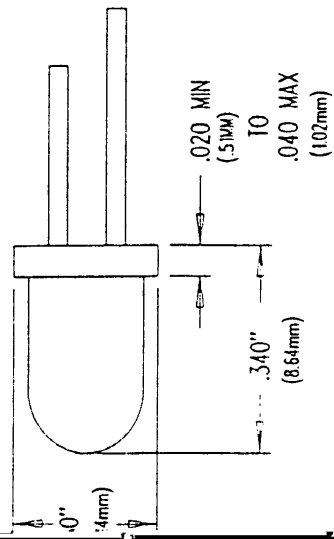
76-716 w 10120



TUAL SIZE



RECOMMENDED LED  
SIZE T-1 3/4



ORDERING CODES

MODEL CLB 300 RTP  
COLOR \_\_\_\_\_

RTP Red Transparent      BTP Blue Transparent  
ATP Amber Transparent    YTP Yellow Transparent  
GTP Green Transparent     CTP Clear Transparent

U.S. & Foreign Pat. Issued & Pend.

TOLERANCES (EXCEPT AS NOTED)		REVISIONS			
DECIMAL	±	NO.	DESCRIPTION	DATE	BY
.010		1	VARIOUS	5/91 JS	
.30'		2			
Diameter		3			
.003 TIR		4			
RADII		5			
.008 Max					

DRAWN BY	JMS	SCALE	5 X	MATERIAL	See Notes
CHK'D		DATE	10/25/85	DRAWING NO.	CLB300A
TRACED		APP'D			

<b>CLIPLITE® CLB 300</b>	
<b>VISUAL COMMUNICATIONS COMPANY, INC.</b>	
7820-G ARJONS DRIVE SAN DIEGO, CA 92128 U.S.A. (619) 549-8800	

IL: Polycarbonate

Low profile lens using fresnel rings and striated lines.

Mounts thru the front of panel. Mounting holes should be deburred but not chamfered.  
 Lens mounts in a .250 ±.002 (6.35mm) hole on 3/8" centers  
 Panel thickness 1/16" to 1/4"  
 For panel less than 3/16", SPC 125 spacer is available.  
 Standard metal or plastic washer can be used to increase panel thickness if necessary.