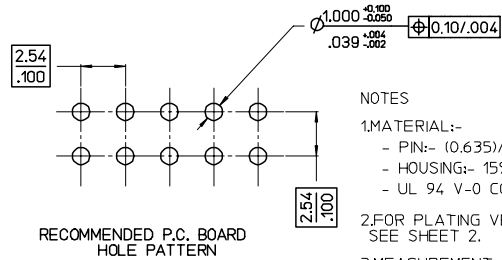
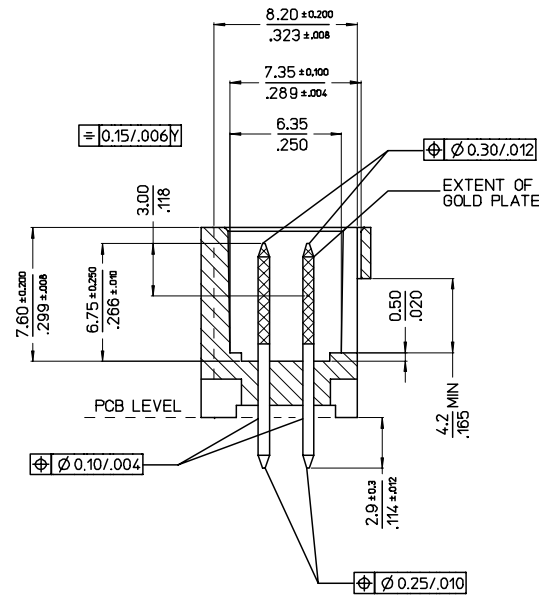
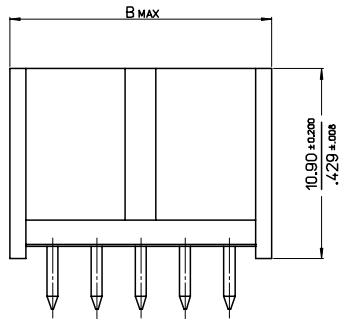
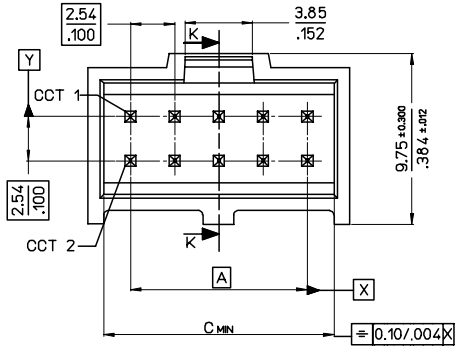


VERSION FULLY LOADED



NOTES

- 1.MATERIAL:-
  - PIN:- (0.635)/.025 SQ. BRASS WIRE.
  - HOUSING:- 15% GLASS FILLED POLYESTER
  - UL 94 V-0 COLOUR BLACK
- 2.FOR PLATING VERSIONS AND VOID VERSIONS SEE SHEET 2.
- 3.MEASUREMENT POINT FOR MINIMUM PLATING THICKNESS.
- 4.FOR PRODUCT SPEC SEE PS-99020-0001
- 5.RECOMMENDED PCB THICKNESS: 1.6mm

OPTIONAL  
NATURAL



| No. OF CKTS | DIM A             | DIM B             | DIM C             |
|-------------|-------------------|-------------------|-------------------|
| 6           | ( 5.08 ) / .200   | ( 9.96 ) / .392   | ( 8.12 ) / .320   |
| 8           | ( 7.62 ) / .300   | ( 12.50 ) / .492  | ( 10.66 ) / .420  |
| 10          | ( 10.16 ) / .400  | ( 15.04 ) / .592  | ( 13.20 ) / .520  |
| 12          | ( 12.70 ) / .500  | ( 17.58 ) / .692  | ( 15.74 ) / .620  |
| 14          | ( 15.24 ) / .600  | ( 20.12 ) / .792  | ( 18.28 ) / .720  |
| 16          | ( 17.78 ) / .700  | ( 22.66 ) / .892  | ( 20.82 ) / .820  |
| 18          | ( 20.32 ) / .800  | ( 25.20 ) / .992  | ( 23.36 ) / .920  |
| 20          | ( 22.86 ) / .900  | ( 27.74 ) / 1.092 | ( 25.90 ) / 1.020 |
| 22          | ( 25.40 ) / 1.000 | ( 30.28 ) / 1.192 | ( 28.44 ) / 1.120 |
| 24          | ( 27.94 ) / 1.100 | ( 32.82 ) / 1.292 | ( 30.98 ) / 1.220 |
| 26          | ( 30.48 ) / 1.200 | ( 35.36 ) / 1.392 | ( 33.52 ) / 1.320 |
| 28          | ( 33.02 ) / 1.300 | ( 37.90 ) / 1.492 | ( 36.06 ) / 1.420 |
| 30          | ( 35.56 ) / 1.400 | ( 40.44 ) / 1.592 | ( 38.60 ) / 1.520 |
| 32          | ( 38.10 ) / 1.500 | ( 42.98 ) / 1.692 | ( 41.15 ) / 1.620 |
| 34          | ( 40.64 ) / 1.600 | ( 45.52 ) / 1.792 | ( 43.68 ) / 1.720 |
| 36          | ( 43.18 ) / 1.700 | ( 48.06 ) / 1.892 | ( 46.22 ) / 1.820 |
| 38          | ( 45.72 ) / 1.800 | ( 50.60 ) / 1.992 | ( 48.76 ) / 1.920 |
| 40          | ( 48.26 ) / 1.900 | ( 53.14 ) / 2.092 | ( 51.30 ) / 2.020 |
| 42          | ( 50.80 ) / 2.000 | ( 55.68 ) / 2.192 | ( 53.84 ) / 2.120 |
| 44          | ( 53.34 ) / 2.100 | ( 58.22 ) / 2.292 | ( 56.38 ) / 2.220 |
| 46          | ( 55.88 ) / 2.200 | ( 60.76 ) / 2.392 | ( 58.92 ) / 2.320 |
| 48          | ( 58.42 ) / 2.300 | ( 63.30 ) / 2.492 | ( 61.46 ) / 2.420 |
| 50          | ( 60.96 ) / 2.400 | ( 65.84 ) / 2.592 | ( 64.00 ) / 2.520 |
| 52          | ( 63.50 ) / 2.500 | ( 68.38 ) / 2.692 | ( 66.54 ) / 2.620 |
| 54          | ( 66.04 ) / 2.600 | ( 70.92 ) / 2.792 | ( 69.08 ) / 2.720 |
| 56          | ( 68.58 ) / 2.700 | ( 73.46 ) / 2.892 | ( 71.62 ) / 2.820 |
| 58          | ( 71.12 ) / 2.800 | ( 76.00 ) / 2.992 | ( 74.16 ) / 2.920 |
| 60          | ( 73.66 ) / 2.900 | ( 78.54 ) / 3.092 | ( 76.70 ) / 3.020 |
| 62          | ( 76.20 ) / 3.000 | ( 81.08 ) / 3.192 | ( 79.24 ) / 3.120 |
| 64          | ( 78.74 ) / 3.100 | ( 83.62 ) / 3.292 | ( 81.78 ) / 3.220 |
| 66          | ( 81.28 ) / 3.200 | ( 86.16 ) / 3.392 | ( 84.32 ) / 3.320 |
| 68          | ( 83.82 ) / 3.300 | ( 88.70 ) / 3.492 | ( 86.86 ) / 3.420 |

THIRD ANGLE PROJECTION

SEE CHART

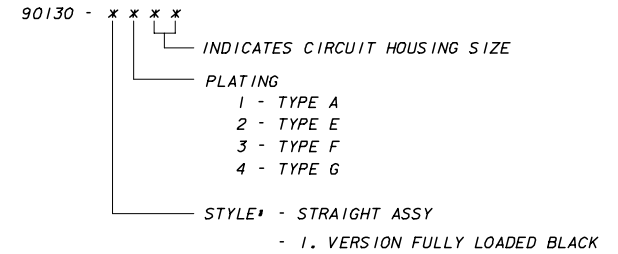
A2

| NO OF CKTS | HSG CKT SIZE | PART NUMBER    |                |                |
|------------|--------------|----------------|----------------|----------------|
|            |              | PLATING TYPE A | PLATING TYPE E | PLATING TYPE F |
| 6          | 6            | 90130-X106     | 90130-X206     | 90130-X306     |
| 8          | 8            | X108           | X208           | X308           |
| 10         | 10           | X110           | X210           | X310           |
| 12         | 12           | X112           | X212           | X312           |
| 14         | 14           | X114           | X214           | X314           |
| 16         | 16           | X116           | X216           | X316           |
| 18         | 18           | X118           | X218           | X318           |
| 20         | 20           | X120           | X220           | X320           |
| 22         | 22           | X122           | X222           | X322           |
| 24         | 24           | X124           | X224           | X324           |
| 26         | 26           | X126           | X226           | X326           |
| 28         | 28           | X128           | X228           | X328           |
| 30         | 30           | X130           | X230           | X330           |
| 32         | 32           | X132           | X232           | X332           |
| 34         | 34           | X134           | X234           | X334           |
| 36         | 36           | X136           | X236           | X336           |
| 38         | 38           | X138           | X238           | X338           |
| 40         | 40           | X140           | X240           | X340           |
| 42         | 42           | X142           | X242           | X342           |
| 44         | 44           | X144           | X244           | X344           |
| 46         | 46           | X146           | X246           | X346           |
| 48         | 48           | X148           | X248           | X348           |
| 50         | 50           | X150           | X250           | X350           |
| 52         | 52           | X152           | X252           | X352           |
| 54         | 54           | X154           | X254           | X354           |
| 56         | 56           | X156           | X256           | X356           |
| 58         | 58           | X158           | X258           | X358           |
| 60         | 60           | X160           | X260           | X360           |
| 62         | 62           | X162           | X262           | X362           |
| 64         | 64           | X164           | X264           | X364           |
| 66         | 66           | X166           | X266           | X366           |
| 68         | 68           | 90130-X168     | 90130-X268     | 90130-X368     |

VERSION FULLY LOADED

**NOTES\***

- FOR ASSY SEE SHEET 1.
- FOR PLATING DETAILS SEE SDES-99000-0003



|   |                      |  |   |  |              |                        |
|---|----------------------|--|---|--|--------------|------------------------|
| REMOVED NATURAL<br>DECISION<br>EC NO. E2008-0083<br>DRAWN BY: BYRNES 2007/08/28<br>CHKD: 2007/09/06<br>APPR: EOMAHONY 2007/09/07<br>REV DESCRIPTION | QUALITY SYMBOLS      | GENERAL TOLERANCES (UNLESS SPECIFIED)                | DIMENSION STYLE   | SCALE  | DESIGN UNITS | THIRD ANGLE PROJECTION |
|   | = 0<br>= 0           | mm INCH  | MM ONLY   | ---  | METRIC       |                        |
|   |                      | 4 PLACES ± --- ± ---                                 | DRAWN BY DATE   | TITLE  |              |                        |
|   |                      | 3 PLACES ± --- ± ---                                 | KS 1987/09/10   | C-GRID III DUAL ROW STRAIGHT SHROUDED HEADER |              |                        |
|   | 2 PLACES ± --- ± --- | CHECKED BY DATE                                      | MOLEX INCORPORATED  |  |              |                        |
|   | 1 PLACE ± --- ± ---  | APPROVED BY DATE                                     | MATERIAL NO. DOCUMENT NO. SHEET NO.   |  |              |                        |
|   | ANGULAR ± --- °      |  | SDA-90130 2 OF 4  |  |              |                        |
|   |                      | DRAFT WHERE APPLICABLE MUST REMAIN WITHIN DIMENSIONS | SEE CHART   |  |              |                        |
|   |                      |  | THIS DRAWING CONTAINS INFORMATION THAT IS PROPRIETARY TO MOLEX INCORPORATED AND SHOULD NOT BE USED WITHOUT WRITTEN PERMISSION |  |              |                        |