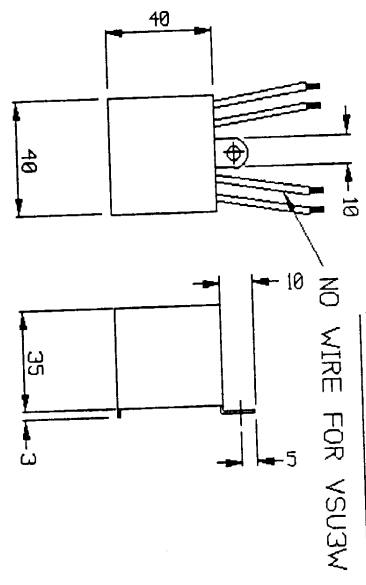
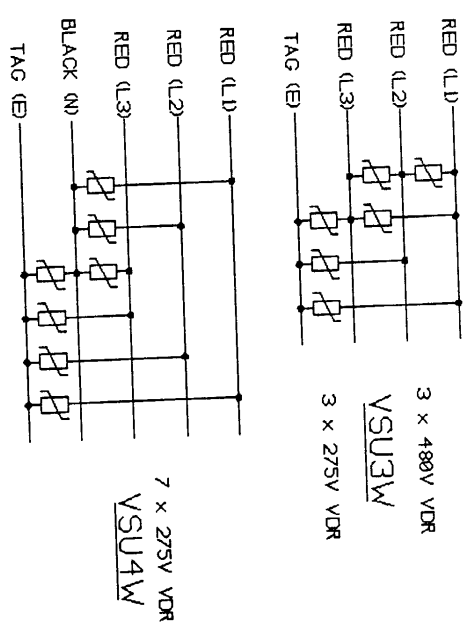


552-860 → 884.

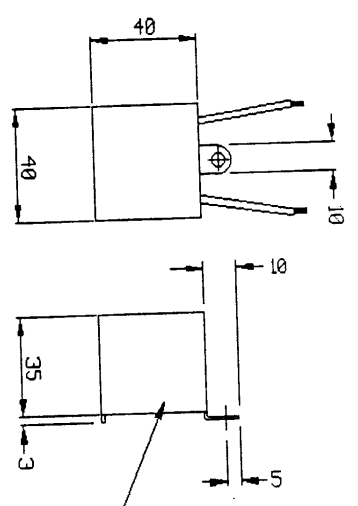
VSU 3W/4W



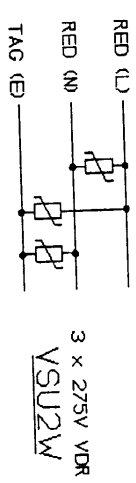
ELECTRICAL SCHEMATIC



VSU 2W



ELECTRICAL SCHEMATIC



MOUNTING: M4 SCREW
 CONNECTIONS: 0.75mm² FLYING LEADS
 LENGTH - 150mm

ALL DIMENSIONS MILLIMETRES

ROXBURGH

Roxburgh Electronics Ltd
 Roxburgh House
 Foxhills Industrial Park
 Scunthorpe
 South Humberside DN15 8QJ
 Tel: 0724 281770
 Fax: 0724 270230
 Telex: 52405

Title
 GENERAL SPECIFICATION FOR
 VOLTAGE SUPPRESSION UNIT

VSU2W/3W/4W

ISSUE	QTY	DATE	DRAWN	APPROVED
1	691	12/6/96	SW	
2	--	2/7/93	SW	

Drng No. VSU2W/3W/4W - GS 1