



**RoHS
COMPLIANT**

00-9155-003-101-006

PREFIX _____

SERIES _____

NO. OF WAYS _____

CODE	NO OF WAYS	QTY PER REEL	PACKING QTY
002	2	1500	7500
003	3	1200	6000

LOW PROFILE BATTERY CONNECTOR _____

CODE	DESCRIPTION	OPERATING HEIGHT
101	LOW PROFILE BATTERY CONNECTOR	1.30

PLATING OPTION _____

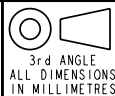
CODE	DESCRIPTION
006	0.4µm SELECTIVE GOLD, TIN TAIL
008	0.8µm SELECTIVE GOLD, TIN TAIL

ELCO EUROPE (A DIVISION OF AVX LTD.) CONFIDENTIAL PROPRIETARY
 THE DRAWING ON THIS PRINT AND INFORMATION THEREWITH ARE
 PROPRIETARY TO ELCO EUROPE (A DIVISION OF AVX LTD.) AND
 SHALL NOT BE USED OR DISCUSSED IN WHOLE OR IN PART
 WITHOUT ELCO EUROPE'S WRITTEN CONSENT.

ELCO EUROPE (A DIVISION OF AVX LTD.) CONFIDENTIAL PROPRIETARY
 THE DRAWING ON THIS PRINT AND INFORMATION THEREWITH ARE
 PROPRIETARY TO ELCO EUROPE (A DIVISION OF AVX LTD.) AND
 SHALL NOT BE USED OR DISCUSSED IN WHOLE OR IN PART
 WITHOUT ELCO EUROPE'S WRITTEN CONSENT.

SHEET 1 OF 3

Release No.
History
101892
102211



ELCO
 © COPYRIGHT ELCO EUROPE
 NOT TO BE DISCLOSED OR COPIED
 WITHOUT WRITTEN PERMISSION

Drawn	Description	DATE
N.C.H.	9155 LOW PROFILE - ORDERING CODE	31-Aug-04
Size	Part Number	Issue
CV	00-9155-01_100S	1

A

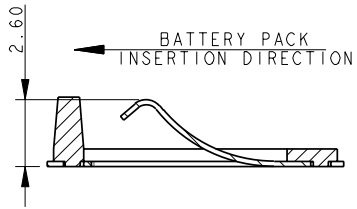
I

B

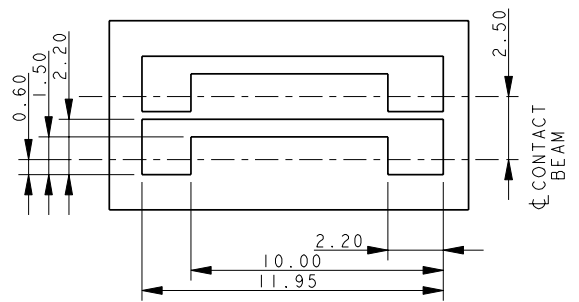
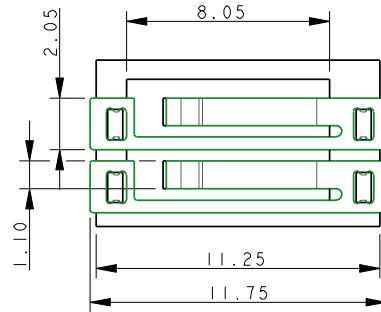
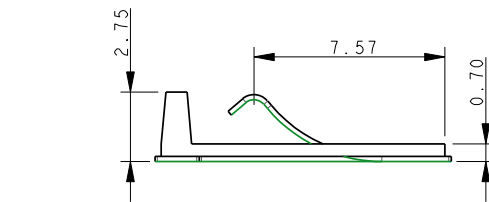
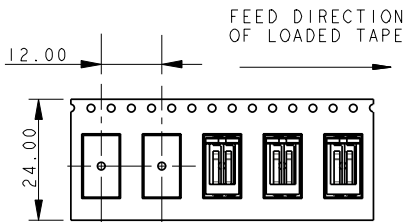
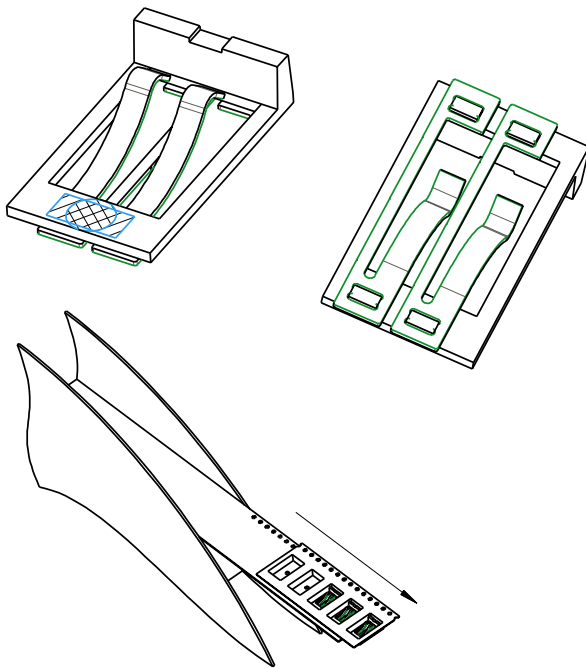
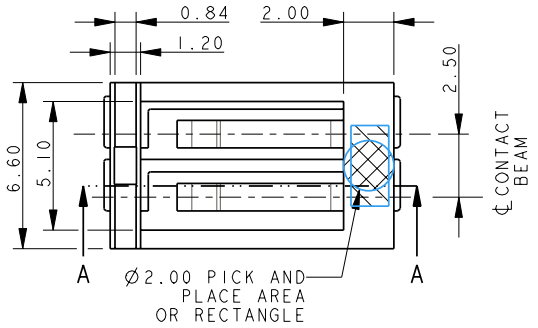
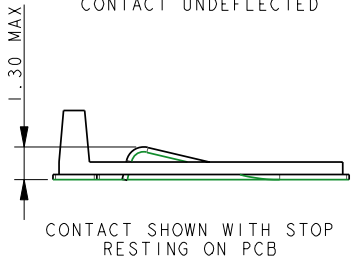
FORM-106-01-056-6 ISS 7

2 WAY LOW PROFILE BATTERY CONNECTOR

ELCO EUROPE (A DIVISION OF AVX LTD.) CONFIDENTIAL PROPRIETARY
 THE DRAWING ON THIS PRINT AND INFORMATION THEREWITH ARE
 PROPRIETARY TO ELCO EUROPE (A DIVISION OF AVX LTD.) AND
 SHALL NOT BE USED OR DISCUSSED IN WHOLE OR IN PART
 WITHOUT ELCO EUROPE'S WRITTEN CONSENT.



SECTION A-A
CONTACT UNDEFLECTED



SUGGESTED PCB LAYOUT

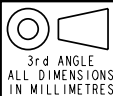
PACKING DETAILS	
REEL QTY	1500
LEADER	500mm
TRAILER	500mm
REELS PER BOX	5
PACK QTY	7500

- NOTES :-
- FOR FULL PRODUCT SPECIFICATION REFER TO ELCO SPECIFICATION 201-01-094.
 - MATERIALS :-
 CONTACT :- COPPER ALLOY
 INSULATOR :- GLASS FILLED NYLON, COLOUR BLACK
 - TOLERANCE ± 0.20 UNLESS SPECIFIED.
 - PACKING DETAILS, SEE TABLE.

ELCO EUROPE (A DIVISION OF AVX LTD.) CONFIDENTIAL PROPRIETARY
 THE DRAWING ON THIS PRINT AND INFORMATION THEREWITH ARE
 PROPRIETARY TO ELCO EUROPE (A DIVISION OF AVX LTD.) AND
 SHALL NOT BE USED OR DISCUSSED IN WHOLE OR IN PART
 WITHOUT ELCO EUROPE'S WRITTEN CONSENT.

SHEET 2 OF 3

Release No.
History
101892
102211

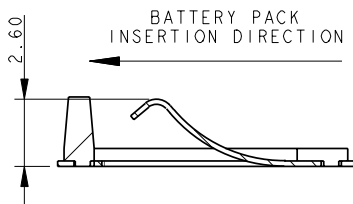


ELCO
 © COPYRIGHT ELCO EUROPE
 NOT TO BE DISCLOSED OR COPIED
 WITHOUT WRITTEN PERMISSION

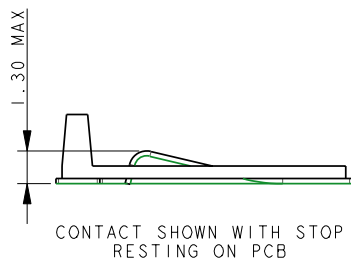
Drawn	Description	DATE
N.C.H.	9155 LOW PROFILE - ORDERING CODE	31-Aug-04
Size	Part Number	Issue
CV	00-9155-01_100S	1

3 WAY LOW PROFILE BATTERY CONNECTOR

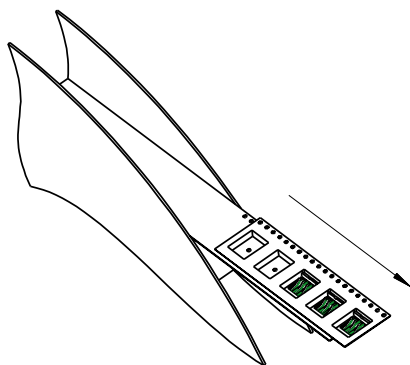
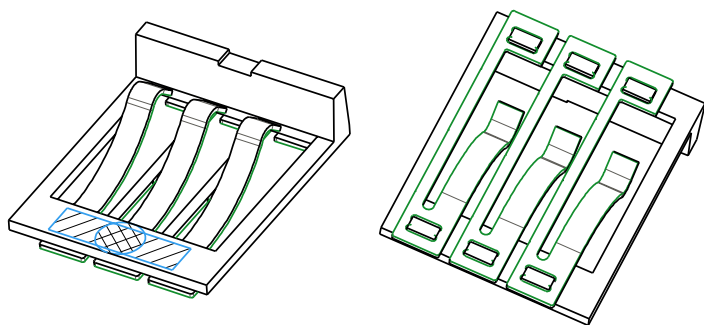
ELCO EUROPE (A DIVISION OF AVX LTD.) CONFIDENTIAL PROPRIETARY THE DRAWING ON THIS PRINT AND INFORMATION THEREWITH ARE PROPRIETARY TO ELCO EUROPE (A DIVISION OF AVX LTD.) AND SHALL NOT BE USED OR DISCUSSED IN WHOLE OR IN PART WITHOUT ELCO EUROPE'S WRITTEN CONSENT.



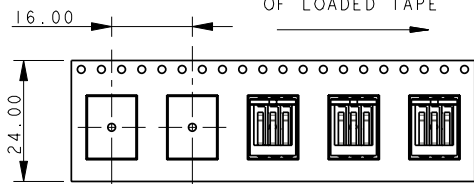
SECTION A-A
CONTACT UNDEFLECTED



CONTACT SHOWN WITH STOP RESTING ON PCB

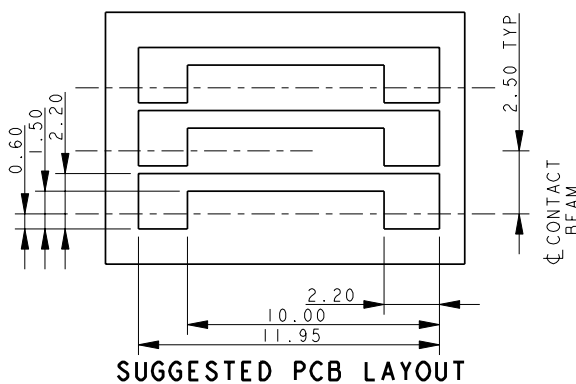
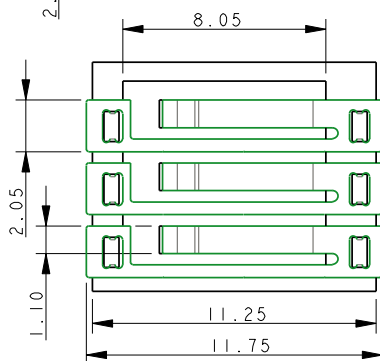
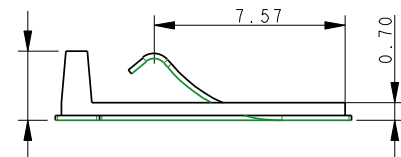
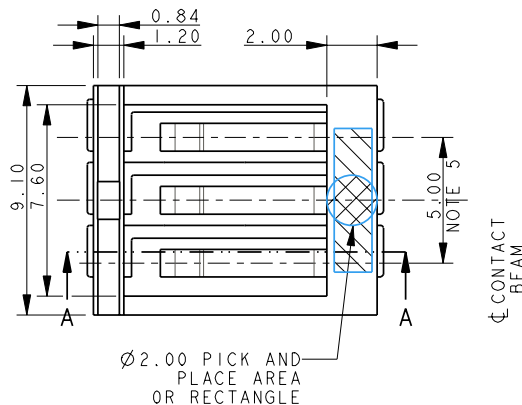


FEED DIRECTION OF LOADED TAPE



PACKING DETAILS

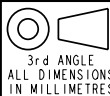
REEL QTY	1200
LEADER	500mm
TRAILER	500mm
REELS PER BOX	5
PACK QTY	6000



NOTES :-

- FOR FULL PRODUCT SPECIFICATION REFER TO ELCO SPECIFICATION 201-01-094.
- MATERIALS :-
CONTACT :- COPPER ALLOY
INSULATOR :- GLASS FILLED NYLON, COLOUR BLACK
- TOLERANCE ± 0.20 UNLESS SPECIFIED.
- PACKING DETAILS, SEE TABLE.
- 2 EQUAL PITCHES @ 2.50 = 5.00.

ELCO EUROPE (A DIVISION OF AVX LTD.) CONFIDENTIAL PROPRIETARY THE DRAWING ON THIS PRINT AND INFORMATION THEREWITH ARE PROPRIETARY TO ELCO EUROPE (A DIVISION OF AVX LTD.) AND SHALL NOT BE USED OR DISCUSSED IN WHOLE OR IN PART WITHOUT ELCO EUROPE'S WRITTEN CONSENT.



Drawn N.C.H.	Description 9155 LOW PROFILE - ORDERING CODE	DATE 31-Aug-04
Size CV	Part Number 00-9155-01_100S	Issue 1