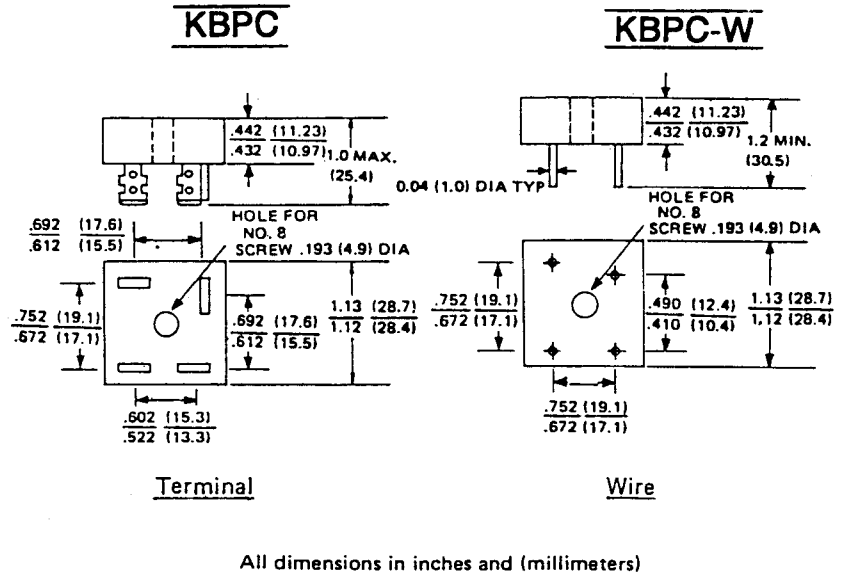


**VOLTAGE RANGE**  
 50 to 1000 Volts  
**CURRENT**  
 35 Amperes

**FEATURES**

- Rating to 1000V PRV
- 400 amperes surge capability
- High efficiency
- Electrically isolated metal case for maximum heat dissipation
- Weight: 1.1 ounce 31.6 grams (Terminal)  
 0.95 ounce 28.5 grams (Wire)
- Mounting: thru hole for # 8 screw



**MAXIMUM RATINGS AND ELECTRICAL CHARACTERISTICS**

Ratings at 25° C ambient temperature unless otherwise specified.  
 Single phase, half wave, 60Hz, resistive or inductive load,  
 For capacitive load, derate current by 20%.

|   |                 | KBPC 35005   | KBPC 3501  | KBPC 3502  | KBPC 3504  | KBPC 3506  | KBPC 3508  | KBPC 3510  | UNIT          |
|---|-----------------|--------------|------------|------------|------------|------------|------------|------------|---------------|
|   |                 | KBPC 35005W  | KBPC 3501W | KBPC 3502W | KBPC 3504W | KBPC 3506W | KBPC 3508W | KBPC 3510W |               |
| Maximum Recurrent Peak Reverse Voltage  | $V_{RRM}$       | 50           | 100        | 200        | 400        | 600        | 800        | 1000       | V             |
| Maximum RMS Input Voltage   | $V_{RMS}$       | 35           | 70         | 140        | 280        | 420        | 560        | 700        | V             |
| Maximum DC Blocking Voltage   | $V_{DC}$        | 50           | 100        | 200        | 400        | 600        | 800        | 1000       | V             |
| Maximum Average Forward Output Current @ $T_c = 55^\circ C$   | $I_{(AV)}$      | 35           |            |            |            |            |            |            | A             |
| Peak Forward Surge Current, 8.3 ms Single Half Sine-wave superimposed on Rated Load (JEDEC Method)                    | $I_{FSM}$       | 400          |            |            |            |            |            |            | A             |
| Maximum Forward Voltage per Bridge Element at 17.5A, DC   | $V_F$           | 1.2          |            |            |            |            |            |            | V             |
| Maximum DC Reverse Current at Rated DC Blocking Voltage per Bridge Element @ $T_A = 25^\circ C$ @ $T_A = 100^\circ C$ | $I_R$           | 10<br>1      |            |            |            |            |            |            | $\mu A$<br>mA |
| $I^2 t$ Rating for fusing ( $t < 8.3ms$ )   | $I^2 t$         | 664          |            |            |            |            |            |            | $A^2 S$       |
| Typical Thermal Resistance (Note. 2)  | $R_{\theta JA}$ | 2.5          |            |            |            |            |            |            | $^\circ C/W$  |
| Operating Temperature Range   | $T_J$           | -55 to + 125 |            |            |            |            |            |            | $^\circ C$    |
| Storage Temperature Range   | $T_{STG}$       | -55 to + 150 |            |            |            |            |            |            | $^\circ C$    |

NOTE:

2. Mounted on a 11.8 in<sup>2</sup> X 0.06 in thick (300mm<sup>2</sup> X 1.5mm thick) Copper plate.