

Piezo Element

Key link

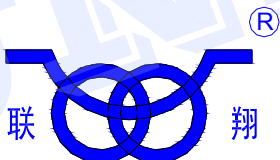
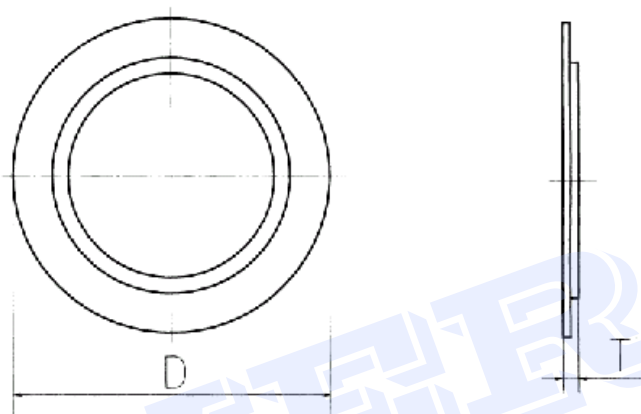
[Universal](#) [Piezo Element](#) [Specification](#) [Dimension](#)

Specification

Type	Resonant Frequency(KHz)	Resonant Impedance (Ω max)	Capacitance(PF at 1KHz)	Input Voltage(Vp-p max)	D(mm)	T(mm)
FT-12T-11A1	11	1500	3300	30	12	0.33
FT-12T-16.5A1	16.5	800	6000	30	12	0.4
FT-15T-10A1	10	600	9000	30	15	0.4
FT-15T-12A1	12	600	800	30	15	0.4
FT-20G-6.5A1	6.5	500	12000	30	20	0.4
FT-20T-4.5A1	4.5	300	15000	30	20	0.3
FT-20T-6.5A1	6.5	500	14000	30	20	0.45
FT-20T-6.8A1	6.8	500	19000	30	20	0.43
FT-22.5T-5.5A1	5.5	1000	12000	30	22.5	0.43
FT-27G-4.0A1	4	500	20000	30	27	0.45
FT-27G-4.6A1	4.6	500	25000	30	27	0.45
FT-27T-3.6A1	3.6	500	25000	30	27	0.45
FT-27T-3.8A1	3.8	1000	11000	30	27	0.53
FT-27T-4.2A1	4.2	500	20000	30	27	0.53
FT-27T-4.6A1	4.6	300	20000	30	27	0.5
FT-32T-2.8A1	2.8	300	30000	30	32	0.43
FT-35G-2.9A1	2.9	200	35000	30	35	0.53
FT-35T-1.8A1	1.8	250	45000	30	35	0.38
FT-35T-2.6A1	2.6	200	30000	30	35	0.47
FT-35T-3.2A1	3.2	300	17000	30	35	0.63
FT-43T-3.4A1	3.4	300	30000	30	43	0.45
FT-50T-1.0A1	1	500	50000	30	50	0.43
FT-50T-3.0A1	3	400	40000	30	50	0.43
FT-50T-3.9A1	3.9	300	17000	30	50	0.63
FTBD-12G-4.9A1	4.9	700	12000	30	12	0.12
FTBD-12T-7.5A1	7.5	700	8000	30	12	0.18
FTBD-12T-9.5A1	9.5	1300	8000	30	12	0.22
FTBD-15G-6.0A1	6	1000	11000	30	15	0.23
FTBD-15T-6.0A1	6	600	15000	30	15	0.23
FTBD-15T-7.7A1	7.7	700	7000	30	15	0.32
FTBD-18T-3.6A1	3.6	1000	12000	30	18	0.23
FTBD-20G-2.5A1	2.5	200	85000	30	20	0.12

FTBD-20T-2.5A1	2.5	200	85000	30	20	0.12
FTBD-20G-3.6A1	3.6	300	28000	30	20	0.22
FTBD-20T-3.6A1	3.6	300	28000	30	20	0.22
FTBD-20T-3.9A1	3.9	200	35000	30	20	0.22
FTBD-27G-2.3A1	2.3	300	45000	30	27	0.23
FTBD-27T-1.8A1	1.8	1000	36000	30	27	0.23
FTBD-27T-2.3A1	2.3	300	45000	30	27	0.23
FTBD-31T-1.6A1	1.6	300	50000	30	31	0.23
FTBD-31T-1.8A1	1.8	200	75000	30	31	0.23
FTBD-31T-2.0A1	2	150	130000	30	31	0.23
FTBD-32G-1.6A1	1.6	200	65000	30	32	0.23
FTBD-32G-2.5A1	2.5	200	65000	30	32	0.23
FTBD-35T-1.3A1	1.3	200	75000	30	35	0.23
FTBD-40T-1.4A1	1.4	1000	100000	30	40	0.23
FTBD-41G-2.5A1	2.5	400	75000	30	41	0.23
FTBD-41T-1.0A1	1	1000	75000	30	41	0.23
FTBD-41T-2.5A1	2.5	400	75000	30	41	0.23
FTBD-43T-1.3A1	1.3	300	80000	30	43	0.33
FTBD-43T-0.8A1	0.8	1000	75000	30	43	0.23
FTBD-43T-1.3A1	1.3	300	80000	30	43	0.33
FTBD-43T-2.0A1	2	300	80000	30	43	0.22
FTBD-50T-1.9A1	1.9	300	112000	30	50	0.28

Dimension (Unit:mm tolerance:±0.5mm)



UNIVERSAL(CHANGZHOU)ELECTRONICS CO.,LTD.

Tel: 86-519-88812318 88860185

Fax: 86-519-88818807

E-Mail: jim@china-buzzer.com judy@china-buzzer.com

Add: No 5 Nanxin Road.Wujin Hitech Development Zone.
Changzhou,Jiangsu.China