

MATERIALS AND FINISHES

BODY ZINC ALLOY
PLATED NICKEL

CENTER CONTACT PHOSPHOR BRONZE
PLATED GOLD

INSULATOR POLYPROPYLENE (94 V-2)

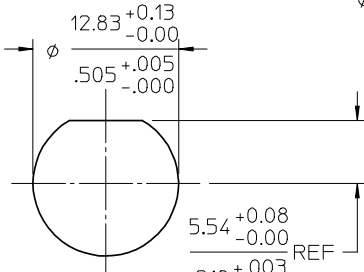
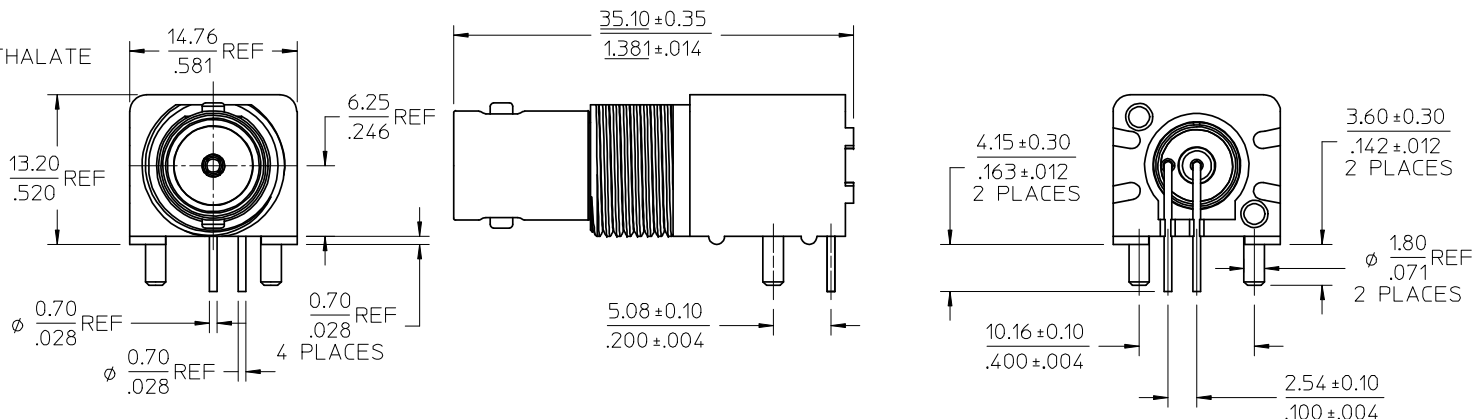
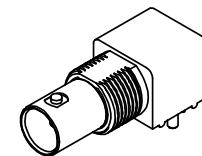
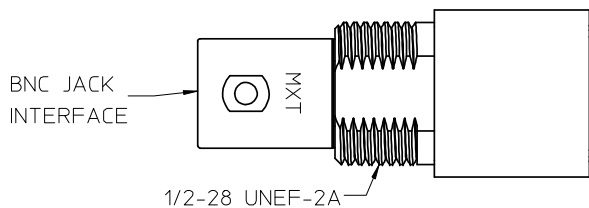
HOUSING POLYESTER BUTLYENE TEREPHTHALATE
COLOR WHITE

MOUNTING POST BRASS
PLATED TIN

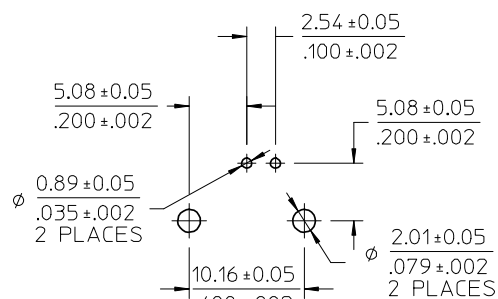
SOLDER TAIL BRASS WIRE
PLATED TIN

LOCKWASHER PHOSPHOR BRONZE
PLATED NICKEL

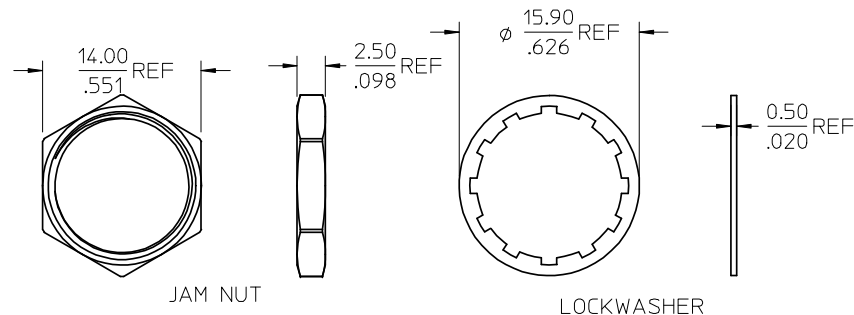
JAM NUT BRASS
PLATED NICKEL



RECOMMENDED MOUNTING HOLE
PANEL THICKNESS: 5.50(.217) MAX
RECOMMENDED MOUNTING TORQUE:
0.56 N-m(5 INCH-LBS)



RECOMMENDED PCB LAYOUT



JAM NUT

LOCKWASHER

PS-73598-0051	PRODUCT SPECIFICATION
ES-73599-0000	INTERFACE
SPECIFICATION	DESCRIPTION

73171-2990	73100-0069, ONE PER BAG
73100-0069	PLASTIC TRAYS
PART NO.	PACKAGING

CHG: REDREW IN SD ADDED P/N 73171-2990 EC NO: URF2007-0396 DRWIN:FLAHERTY 2007/05/01 CHKD:SSHAH 2007/05/01 APPR:JWENER 2007/05/01 A1	QUALITY SYMBOLS ▽=0 ▽=0	GENERAL TOLERANCES (UNLESS SPECIFIED) mm INCH 4 PLACES ± --- ± --- 3 PLACES ± --- ± --- 2 PLACES ± --- ± --- 1 PLACE ± --- ± --- ANGULAR ± 2°	DIMENSION STYLE MM/IN DRAWN BY DATE CHECKED BY DATE APPROVED BY DATE	SCALE DESIGN UNITS METRIC THIRD ANGLE PROJECTION	TITLE BNC JACK, R/A, PCB RECEPTACLE, 75 OHMS BNC-J/RA/PCB
	DRAFT WHERE APPLICABLE MUST REMAIN WITHIN DIMENSIONS	MATERIAL NO. SEE TABLE	DOCUMENT NO. SD-73100-0069	SHEET NO. 1 OF 1	
	THIS DRAWING CONTAINS INFORMATION THAT IS PROPRIETARY TO MOLEX INCORPORATED AND SHOULD NOT BE USED WITHOUT WRITTEN PERMISSION				
	MOLEX INCORPORATED				